



SENSO_{N20}

DEHUMIDIFIER
DEZUMIDIFICATOR
LUFTENTFEUCHTER
DESHUMIDIFICADOR
DÉSHUMIDIFICATEUR
DEUMIDIFICATORE
PÁRÁTARTÓ
ОБЕЗВЛАЖНИТЕЛ

Instruction manual
Manual de instructiuni
Bedienungsanleitung
Manual de instrucciones
Manuel d'instructions
Manuale di istruzioni
Kézi utasítás
Ръчна инструкция



EN RO DE ES FR IT HU BG

turbionaire.com

EN:CONTENT

1.	BEFORE YOU BEGIN	4
2.	FOR YOUR SAFETY	5
3.	PRODUCT OVERVIEW	9
4.	INSTALLATION	11
5.	OPERATION	12
6.	MAINTENANCE	15
7.	TROUBLESHOOTING	16
8.	DECOMMISSIONING	17
9.	SMART LIFE APP - user manual	18

Thank you for selecting our dehumidifier.
Be sure to read this manual carefully before using it.
Please keep this manual carefully for further reference!

1. BEFORE YOU BEGIN

Please read the operating instructions carefully before using your dehumidifier for the first time.

A. PRODUCT DESCRIPTION

The dehumidifier is used to remove excessive moisture from the air. The resulting reduction in relative humidity protects buildings and their contents from the adverse effects of excess humidity.

The environmentally friendly R290 is used as the refrigerant. R290 has no damaging influence on the ozone layer (ODP), a negligible greenhouse effect (GWP) and is available worldwide. Because of its efficient energy properties, R290 is highly suitable as a coolant for this application. Special precautions must be taken into consideration due to the coolant's high flammability.

B. SYMBOLS ON THE UNIT AND USER MANUAL



Warning!

This unit uses a flammable refrigerant.
If refrigerant leaks and comes in contact with fire or heating part, it will create harmful gas and there is risk of fire.



Read the USER MANUAL carefully before operation.



Further information is available in the USER MANUAL, SERVICE MANUAL, and the like.



Service personnel are required to carefully read the USER MANUAL and SERVICE MANUAL before operation.

C.THE FOLLOWING SHOULD ALWAYS BE OBSERVED FOR SAFETY

- This appliance is intended to be used by expert or trained users in shops, in light industry and on farms, or for commercial use by lay persons.
- This appliance can be used by children aged from 8 years and above and persons with reduced physical, sensory or mental capabilities or lack of experience and knowledge if they have been given supervision or instruction concerning use of the appliance in a safe way and understand the hazards involved.
- This appliance is not a toy. Children under 3 must be continuously monitored and kept away from it.
- Cleaning and user maintenance shall not be made by children.
- The unit is designed only for use with R-290(propane) gas as the designated refrigerant.
- The refrigerant loop is sealed. Only a qualified technician should attempt to service!
- Do not discharge the refrigerant into the atmosphere.
- R-290 (propane) is flammable and heavier than air.
- It collects first in low areas but can be circulated by the fans.
- If propane gas is present or even suspected, do not allow untrained personnel to attempt to find the cause.
- The propane gas used in the unit has no odor.
- The lack of smell does not indicate a lack of escaped gas.
- If a leak is detected, immediately evacuate all persons from the store, ventilate the room and contact the local fire department to advise them that a propane leak has occurred.
- Do not let any persons back into the room until the qualified service technician has arrived and that technician advises that it is safe to return to the store.
- No open flames, cigarettes or other possible sources of ignition should be used inside or in the vicinity of the units.
- Component parts are designed for propane and non-incentive and non-sparking.
- Component parts shall only be replaced with identical repair parts.

FAILURE TO ABIDE BY THIS WARNING COULD RESULT IN EXPLOSION, DEATH, INJURY AND PROPERTY DAMAGE



Warning!



2. FOR YOUR SAFETY



Your safety is the most important thing we concerned!

Please read this manual carefully and fully understand before operating your dehumidifier.

A. OPERATIONAL PRECAUTIONS

WARNING: to reduce the risk of fire, electric shock or injury to persons or property:

- If the supply cord is damaged, it must be replaced by the manufacturer, its service agent or similarly qualified persons in order to avoid a hazard.
- The appliance shall be disconnected from its power source during maintenance.
- Always operate the unit from a power source of equal voltage, frequency and rating as indicated on the product identification plate.
- Always use a power outlet that is grounded.
- Unplug the power cord when cleaning or when not in use.
- Do not operate with wet hands. Prevent water from spilling onto the unit.
- Do not immerse or expose the unit to rain, moisture or any other liquid.
- Do not leave the unit running unattended. Do not tilt or turn over the unit.
- Do not unplug while the unit is operating.
- Do not unplug by pulling on the power cord.
- Do not use an extension cord or an adapter plug.
- Do not put objects on the unit.
- Do not climb or sit on the unit.
- Do not insert fingers or other objects into the air outlet.
- Do not touch the air inlet or the aluminum fins of the unit.
- Do not operate the unit if it is dropped, damaged or showing signs of product malfunction.
- Do not clean the appliance with any chemicals.
- Ensure the unit is far away from fire, inflammable, or explosive objects.
- The unit shall be installed in accordance with national wiring regulations.
- Do not use means to accelerate the defrosting process or to clean, other than those recommended by the manufacture.
- The appliance shall be stored in a room without continuously operation sources (for example: open flames, an operating gas appliance or an operating electric heater).
- The appliance shall be stored so as to prevent mechanical damage from occurring.
- Do not pierce or burn, even after use.
- Be aware that refrigerants may not contain an odor.
- Pipe-work shall be protected from physical damage and shall not be installed in an unventilated space, if that space is smaller than 4m².
- Compliance with national gas regulations shall be observed.
- Keep any required ventilation openings clear of obstruction.
- The appliance shall be stored in a well-ventilated area where the room size corresponds to the room area as specified for operation.



Any person who is involved with working on or breaking into a refrigerant circuit should hold a current valid certificate from an industry-accredited assessment.

authority, which authorizes their competence to handle refrigerants safely in accordance with an industry, recognized assessment specification.



Servicing shall only be performed as recommended by the equipment manufacturer. Maintenance and repair requiring the assistance of other skilled personnel shall be carried out under the supervision of the person competent in the use of flammable refrigerants. If you don't understand something or need help, please contact the dealer services.

B. SAFETY PRECAUTIONS ON SERVICING

Please follow these warnings when to undertake the following when servicing a dehumidifier with R290.

i. Checks to the area

Prior to beginning work on systems containing flammable refrigerants, safety checks are necessary to ensure that the risk of ignition is minimized. For repair to the refrigerating system, the following precautions shall be complied with prior to conducting work on the system.

ii. Work procedure

Work shall be undertaken under a controlled procedure so as to minimize the risk of a flammable gas or vapor being present while the work is being performed.

iii. General work area

All maintenance staff and others working in the local area shall be instructed on the nature of work being carried out. Work in confined spaces shall be avoided. The area around the workspace shall be sectioned off. Ensure that the conditions within the area have been made safe by control of flammable material.

iv. Checking for presence of refrigerant

The area shall be checked with an appropriate refrigerant detector prior to and during work, to ensure the technician is aware of potentially flammable atmospheres. Ensure that the leak detection equipment being used is suitable for use with flammable refrigerants, i.e. no sparking, adequately sealed or intrinsically safe.

v. Presence of fire extinguisher

If any hot work is to be conducted on the refrigeration equipment or any associated parts, appropriate fire extinguishing equipment shall be available to hand. Have a dry powder or CO₂ fire extinguisher adjacent to the charging area.

vi. No ignition sources

No person carrying out work in relation to a refrigeration system which involves exposing any pipe work that contains or has contained flammable refrigerant shall use any sources of ignition in such a manner that it may lead to the risk of fire or explosion. All possible ignition sources, including cigarette smoking, should be kept sufficiently far away from the site of installation, repairing, removing and disposal, during which flammable refrigerant

can possibly be released to the surrounding space. Prior to work taking place, the area around the equipment is to be surveyed to make sure that there are no flammable hazards or ignition risks. "No Smoking" signs shall be displayed.

vii. Ventilated area

Ensure that the area is in the open or that it is adequately ventilated before breaking into the system or conducting any hot work. A degree of ventilation shall continue during the period that the work is carried out. The ventilation should safely disperse any released refrigerant and preferably expel it externally into the atmosphere.

viii. Checks to the refrigeration equipment

Where electrical components are being changed, they shall be fit for the purpose and to the correct specification. At all times the manufacturer's maintenance and service guidelines shall be followed. If in doubt consult the manufacturer's technical department for assistance.

The following checks shall be applied to installations using flammable refrigerants:

- The charge size is in accordance with the room size within which the refrigerant containing parts are installed;
- The ventilation machinery and outlets are operating adequately and are not obstructed;
- If an indirect refrigerating circuit is being used, the secondary circuit shall be checked for the presence of refrigerant;
- Marking to the equipment continues to be visible and legible. Markings and signs that are illegible shall be corrected; refrigeration pipe or components are installed in a position where they are unlikely to be exposed to any substance which may corrode refrigerant containing components, unless the components are constructed of materials which are inherently resistant to being corroded or are suitably protected against being so corroded.

ix. Checks to electrical devices

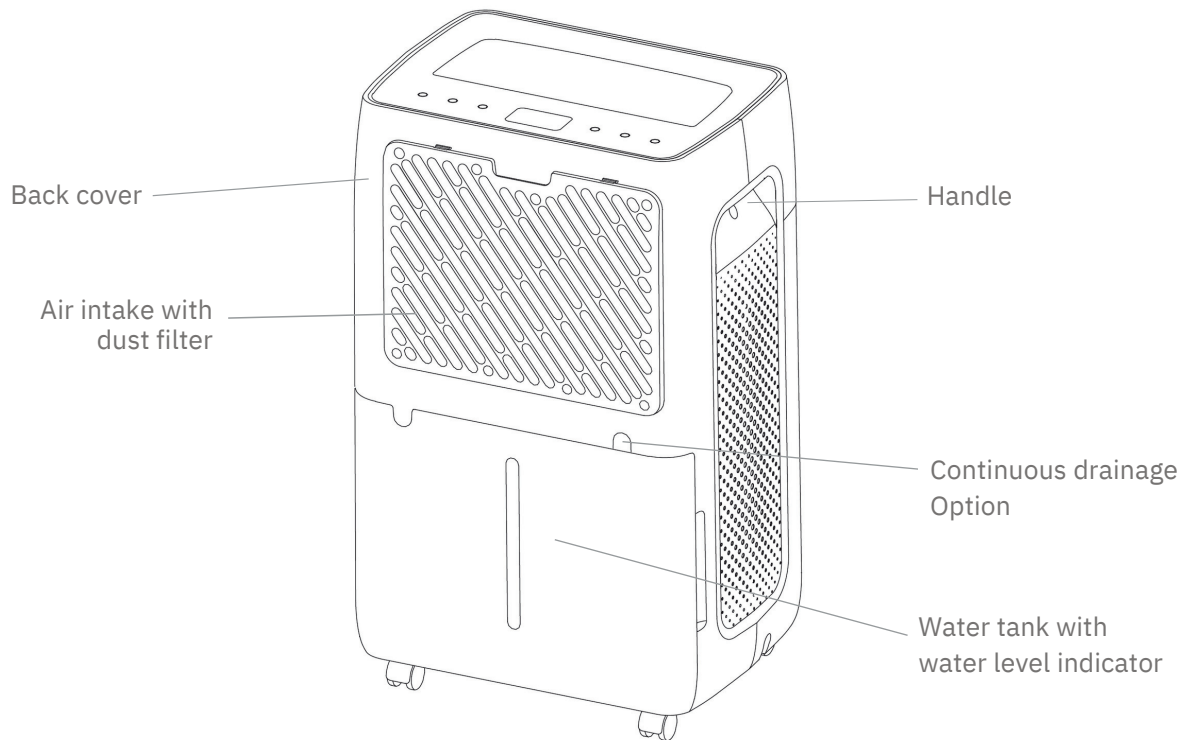
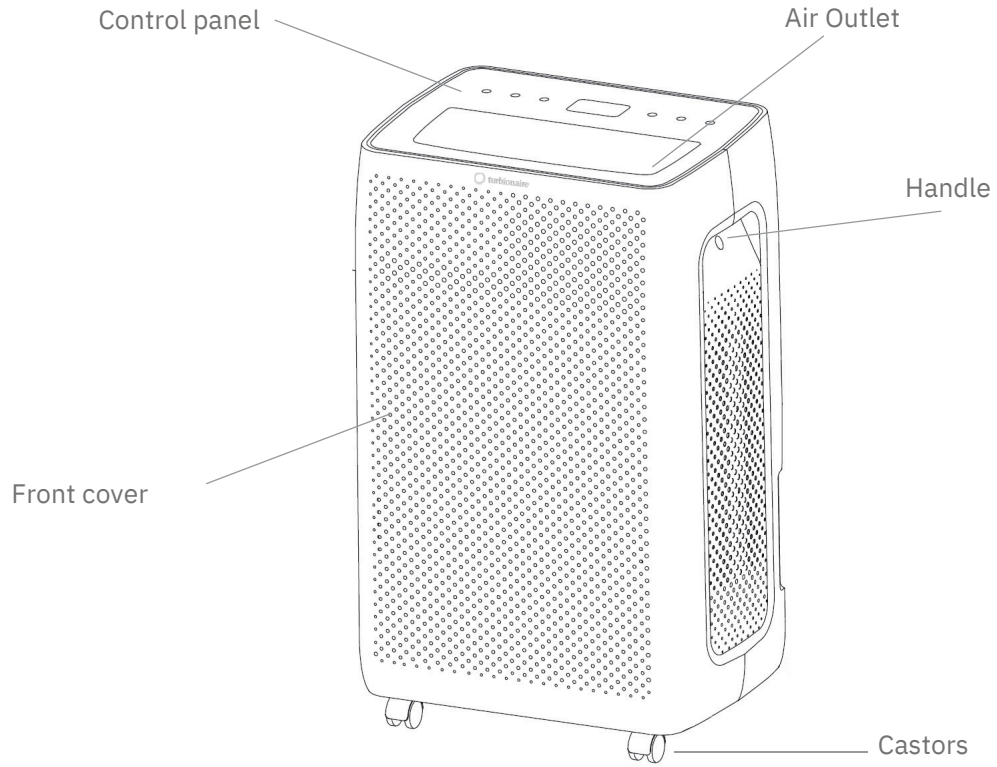
Repair and maintenance to electrical components shall include initial safety checks and component inspection procedures. If a fault exists that could compromise safety, then no electrical supply shall be connected to the circuit until it is satisfactorily dealt with. If the fault cannot be corrected immediately but it is necessary to continue operation, an adequate temporary solution shall be used. This shall be reported to the owner of the equipment so all parties are advised.

Initial safety checks shall include:

- Those capacitors are discharged: this shall be done in a safe manner to avoid possibility of sparking;
- That there no live electrical components and wiring are exposed while charging, recovering or purging the system;
- That there is continuity of earth bonding

3. PRODUCT OVERVIEW

A. FRONT AND REAR VIEW



B. FEATURES

- Auto Swing Function
- Monitoring and display of current humidity
- Auto mode automatically adjusts humidity levels
- 24-hour timer to set the time of operation
- Removes moisture, dust from the air
- Low power consumption-energy efficient
- Quiet fan with two speed settings
- Auto-Defrost at low temperature
- Auto shut-off/ auto restart
- Powerful moisture removal
- App Control via WIFI (*for models equipped with this function*)
- Touch control
- Laundry drying function (Continuous Mode)
- Dust Filter
- Continuous drainage
- 4.5L water tank

C. TECHNICAL SPECIFICATIONS

MODEL	SENSO N 20
Dehumidification Capacity	20 L/Day (30°C, 80%)
Power Supply	AC220-240V/50Hz
Max. Power Consumption	330W/2.3A
Noise	≤41dB(A)
Water tank capacity	4.5L
Net weight	13.5 kg
Minimum Room size	4 m ² (Floor area)

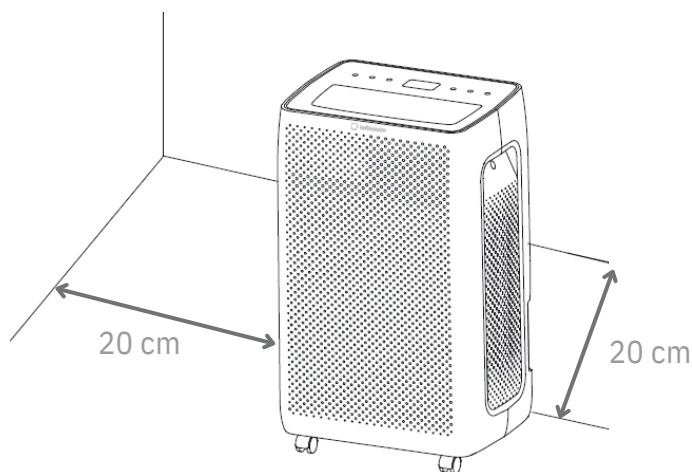
4. INSTALLATION

A. PLACING THE DEHUMIDIFIER

Place the unit on a firm, level surface in an area with at least 30 cm of free space around it to allow for proper air circulation.

Never install the unit where it could be subject to:

- Heat sources such as radiators, heat registers, stoves or other products that produce heat.
- In an area where oil or water may be splashed
- Direct sunlight
- Mechanical vibration or shock
- Excessive dust
- Lack of ventilation, such as cabinet or bookcase
- Uneven surface



WARNING

Install the unit in rooms which exceed 4 m².

Do not install the unit in a place where inflammable gas may leak.



NOTE

The manufacture may provide other suitable example or may provide additional information about the refrigerant odor.

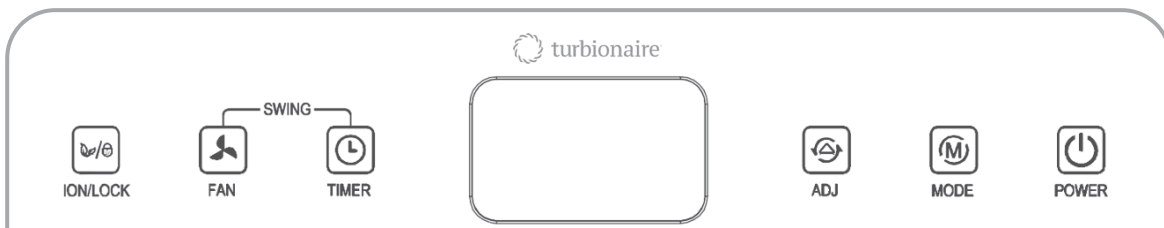
B. OPERATING THE DEVICE SAFELY

- Check the device after unpacking for any damages or scratches on it.
- Operate this unit in an ambient temperature from 5°C to 38°C.
- Do not use in the outdoors. This dehumidifier is intended for indoor residential applications only.
- Do not operate in close proximity to walls, curtains, or other objects that may block inlet and outlet.
- Keep the air inlet and outlet free of obstacles.
- Adjusting the wind deflector in the upward direction prior to start up.
- If tipped more than 45°, allow the unit to set upright for at least 24 hours before start up.
- Keep doors and windows close for better energy saving. Do not operate or store the unit in direct sunlight or rain. It is normal for air outlet to feel warm to touch after continuous operation on hot days.

- Empty the water tank before moving the device. Make sure the Water tank is correctly fitted otherwise the unit will not operate properly.
The dehumidifier starts up in the mode selected when the unit was last used.
- The dehumidifier starts dehumidifying if the room humidity is 3% higher than the selected humidity.
- There is a protective 3-minutes time delay of the compressor. Wait 3 minutes for the dehumidifier to resume dehumidification.

5. OPERATION

Control Panel



POWER Button - Touch this button to switch the unit On or Off.

MODE Button - Touch this button to choose Auto, Sleep or Continuous Dehumidification Mode.

ADJ Button - Touch this button to adjust the humidity level and choose timer hour.

TIMER Button - Touch this button to set a time for the unit to automatically start or stop.

To **activate WiFi** (for models equipped with this function), touch the **TIMER** button for at least 5 seconds. The WiFi indicator on the display will start flashing.

Fan SPEED Button - Touch this button to select fan speed between high and low.

ION/LOCK Button (for models not equipped with ionization function) - Touch this button to turn On or Off ionizer air purify function. Long touch this button turn Child Lock function On or Off.

SWING - Press both TIMER and FAN button together to start Swing Function.

Display - It displays the humidity value, Timer setting, Temperature and other information.



POWER


POWER Button - In standby, touch the Power button to turn on the dehumidifier, the operation indicator lights up and the default fan speed is high, and the default humidity is 50%. In the power-on state, press the power button to turn off, the running indicator light goes off and the compressor stops immediately, and then the fan shut down after 30 seconds delay.



MODE

MODE Button - Touch the Mode key to switch between Automatic, Sleep and Continuous Dehumidification Mode.

- **Auto Mode:** when environmental humidity \geq set humidity 3%, the fan starts working and compressor starts working after 3 seconds. When environmental humidity \leq set humidity 3%, the compressor stops working and fan stops working after 30" seconds delay.

Touch ADJ  button to adjust the humidity level from 30% to 80% in automatic mode. Both fan speed and humidity can be adjusted under auto mode.


- **Continuous Dehumidify Mode:** The unit continues to run in high speed, fan speed can be adjusted, the humidity cannot be adjusted.

- **Sleep Mode:** Touch the Sleep button, the button lights up and start the sleep function, default humidity is 60%. If the control panel is not operated within 10 seconds, all indicators turns dark gradually and the fan speed is automatically switched from high to low. Touch SLEEP button again to exit the sleep mode. Both fan speed and humidity can be adjusted under sleep mode. Touch MODE button again to exit the SLEEP mode.



TIMER Button

Touch the TIMER button to set the 00-24 hour timing function.

Display panel "00" flashes and will show timer hour, Touch ADJ  button, the value increase 1 hour, the value displayed on the display.

In the running state, use the timer function to turn off the machine regularly.

In the standby state, use the timer function to turn on the machine regularly.

Set the time to "00" to cancel the timing function.

Long touch **TIMER** button for 5 seconds to activate **wifi function**, please refer to the wifi instruction on last pages (*for models equipped with this function*).



FAN SPEED Button - High/ Low fan speed cycle. Touch the button once to switch and then the corresponding indicator lights up. In continuously drying mode, and defrosting period, the fan speed can not be changed.



SWING Mode - Touch the FAN and TIMER button at the same time to start auto swing function, press again to stop swing function.



ION/ LOCK Button - Touch this button to turn On or Off ionizer air purify function.

Long press this button to turn on or off child lock function.

Water Tank Full Alarm

Water Tank Indicator - When the tank is full for 5 seconds, it sets the alarm. The water tank indicator turns red and the unit buzzes for 5 times.

Clear the Alarm - When the buzz is on, touch any button to stop it. The compressor fan shut down and all the functions freeze until the tank is emptied and back in right position.

A. Drainage

There are two ways of removal collected water produced by the unit.

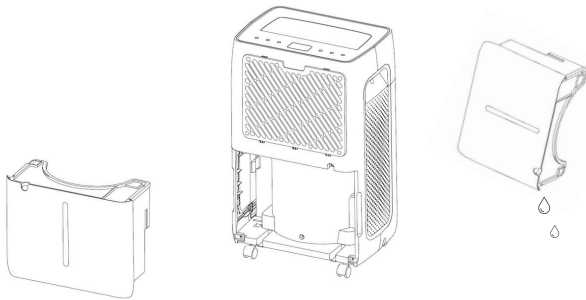
- Manual draining: the water tank is removed manually.
- Continuous draining: attach a drain hose to the unit so that the condensed water is drained by using gravity.

B. Emptying the water tank

The unit will shut down once the water tank is full. It will run again once you have emptied the water tank and reinstalled it properly. When the tank is full, the unit will make a buzzing sound, and the "Water Full" LED will turn on.

- Touch the POWER button to turn off the unit.
- Pull on the water tank and slide out of the body of the dehumidifier.
- Empty the water into an area with a drain or outside.
- Clean the inside of the tank, if necessary, as well as the outside.

- Replace the empty tank back into the unit.
- Press the POWER button to restart the unit.
- If the “Water Full” LED is still on, check if the water tank float is correctly placed and free from any blocking.
- If the Water Full light does not extinguish, check that the float is correctly in place.



Warning

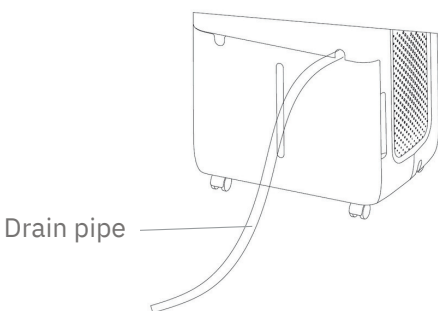
1. Do not discard water tank magnets and plastic rivets. Otherwise, the unit will not automatically stop working when the water tank is full, and the condensed water will overflow and damage the floor of the room. Please be sure to clean the condensed water in the water tank before resetting the working mode of the machine.
2. If the water tank is dirty, rinse it with clean water. Avoid using detergents, steel balls, chemical dust removers, diesel oil, benzene, diluents or other solvents. Otherwise, the water tank will be damaged and leak.
3. Replace the empty tank back into the unit. Otherwise, the water full indicator may remain red and the unit cannot restart.

C. Continuous drainage

For continuous operation or unattended dehumidification, please connect the attached drain hose to the unit. Condensate water drains freely into a bucket or drainage hole by using gravity.

- Set the unit in a horizontal surface and stable position.
- Switch off the unit before operating.
- Securely and properly connect the drain hose and make sure it is not kinked and clear of obstruction.
- Place the outlet of hose over a drain or bucket and ensure that water could freely flow out of the unit.

Do not submerge the end of hose into water; otherwise it can cause "Air Lock" in the hose.



To avoid water spillage:

- As the negative pressure of condensate drain pan is large, tilt the drain hose downward toward the floor. It is appropriate that the degree of inclination should exceed 20 degrees. Straighten the hose to avoid a trap existing in the hose.

6. MAINTENANCE

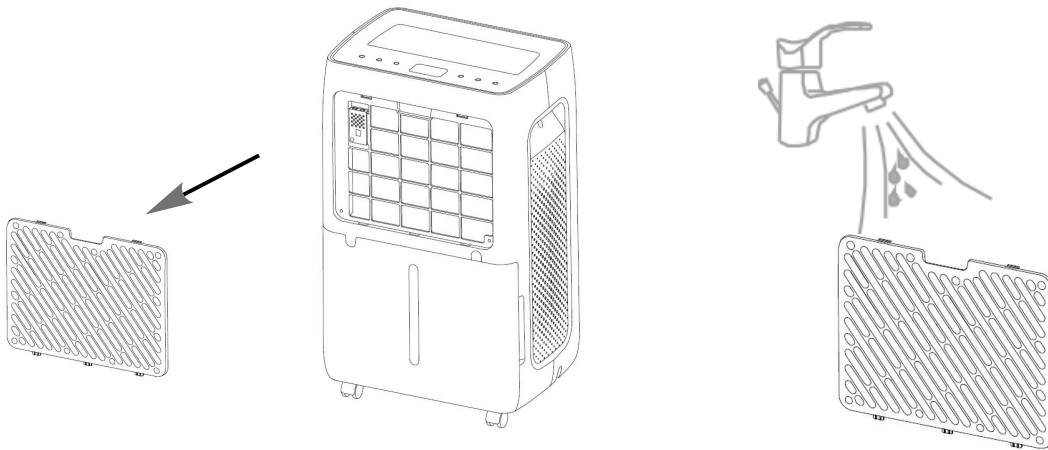
Note: before cleaning and maintaining the machine, be sure to turn off the machine and pull the power plug to prevent electric shock.

Cleaning the Air Filter

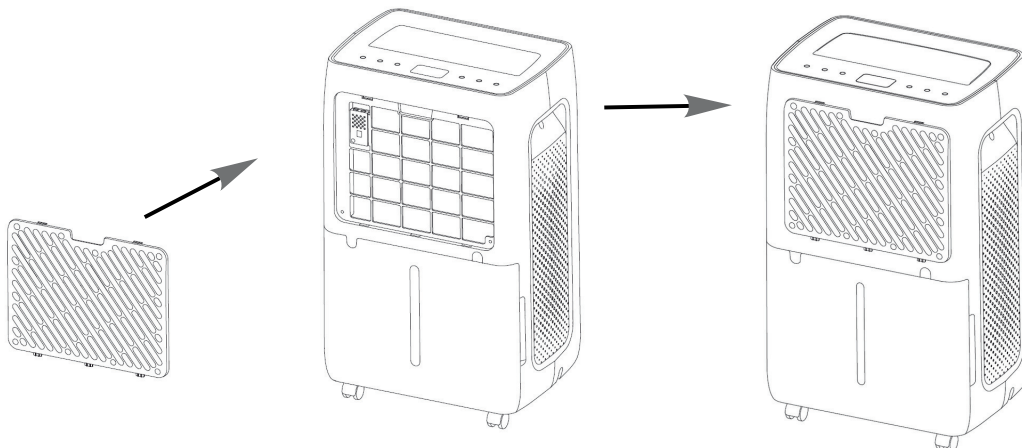
Clean the filter at least every two weeks or whenever needed. The deposits accumulated on an unclean filter can be absorbed by the fan then remain attached to the evaporator, condenser and other components inside the unit, which can reduce the unit's efficiency and lead to various malfunctions that are not covered by the guarantee.

If any deposits are found inside the unit, contact the nearest authorized service for professional cleaning. Do not perform internal cleaning operations (other than cleaning and washing the washable filter) by yourselves. Always contact qualified technical personnel.

- a) Remove the filter grid and take off the filter.
- b) Use a vacuum cleaner to gently absorb the dust on the surface of the filter. Soak the strainer in warm water at about 40 degrees Celsius. If the filter is very dirty, wash it with water and a soft detergent and dry it thoroughly afterwards.



- c) Put the filter back to its initial place, which is in the back of the unit.



7. TROUBLESHOOTING

A. FUNCTIONING TEMPERATURE

5°C ≤ Ambient Temperature ≤ 38°C When the ambient temperature is lower or higher than the functioning temp, the dehumidifier stops.

When 5°C ≤ Ambient temp. ≤ 16°C, the compressor automatically defrosts at intervals; during defrosting, the compressor stops and the fan keeps running.

B. BEFORE CALLING FOR SERVICE

Before contacting professional service, please review the trouble shooting list that includes common occurrences that are not the result of a defect in workmanship or materials.

Problem	Possible	Cause Solution
Not working	No power supply	Connect to a functioning outlet and switch on.
	Water Full Indication Flashes	Drain water tank and replace it back into the unit.
	Room temperature <5°C or >38°C	Self-Protection designed to protect the unit. Cannot work under such temperature.
Bad functioning	Is the air filter clogged?	Clean the air filter as instructed
	Is the intake duct or discharge duct obstructed?	Remove the obstruction from the discharge duct or intake duct.
No air intake	Is the air filter clogged?	Wash the filter
Loud noise when running	Is the unit placed on a horizontal and flat surface?	Place the unit correctly.
	Is the air filter clogged?	Wash the filter
E1/ E2	Humidity sensor problem	Change the sensor
LO	Environmental humidity is below 20%	The dehumidifier shuts down for self-protection
HI	Environmental humidity is above 90%	
CL	Low temperature protection, the environmental temperature <5°C	
CH	High temperature protection, the environmental temperature >38°C	

8. DECOMMISSIONING

8.1 STORAGE

Long-term storage – If you will not be using the unit for an extended period of time (more than a few weeks) it is best to clean the unit and dry it out completely. Please store the unit per the following steps:

- a) Press power button to switch off and unplug the unit.
- b) Drain the remaining water from the unit.
- c) Clean the filter and let the filter dry completely in a shaded area.
- d) Collect the power cord at the water tank.
- e) Reinstall the filter at its position.
- f) The unit must be kept in upright position when in storage.
- g) Preserving the machine in ventilating, dry, non- corrosive gas and safe place indoor.

ATTENTION: The evaporator inside the machine has to be dried out before the unit is packed to avoid component damage and molds. Unplug the unit and place it in a dry open area for days to dry it out. Another way to dry the unit is to set the humidity point more than 5% higher than the ambient humidity to force the fan to dry the evaporator for a couple of hours.

8.2 DISPOSAL

WARNING!!!



Releasing refrigerant into atmosphere is strictly forbidden!

Do not dispose of electrical appliances as unsorted municipal waste, use separate collection facilities. Contact your local government for information

regarding the collection systems available. If electrical appliances are disposed of in landfills or dumps, hazardous substances can leak into the groundwater and get into the food chain, damaging your health and well-being.

For Turbionaire WEEE/ Packaging/ Battery in EU

Please scan here the QR Code



Thank you for choosing Turbionaire!

For expert advice on your Turbionaire appliances, help or repairs, please contact us at www.turbionaire.com/warranty.

Other additional details about this product:

- Information
- Technical specifications
- Energy label

can be consulted by accessing www.turbionaire.com

Manufacturer and importer:
SC Intax Trading SRL - Str. Ion Creanga nr. 14B, 075100,
Otopeni, Ilfov, Romania. Tel (+40) 318 246 246 Fax (+40)
214 203 151 office@intaxtrading.com
www.intaxtrading.com

SMART LIFE - APP'S USER MANUAL for SENSO N20

The “Smart Life” app is available for Android and iOS.

Scan with your smartphone to the corresponding QR code to get directly to the download.



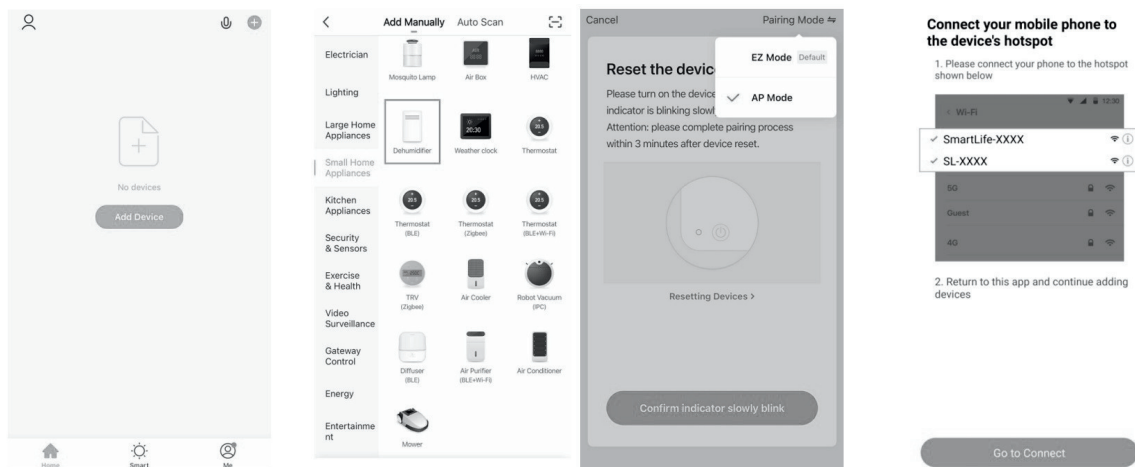
How to Use the App

This appliance allows you to operate the appliance via your WIFI home network. A prerequisite is a permanent WIFI connection to your router and the free app “Smart Life”. We recommend disconnecting the appliance from the power supply when you are away from home to prevent unintentional switching on while you are on the road!

Commissioning via the App

1. Install the “Smart Life” app. Create a user account.
2. Activate the WIFI function in the settings of your appliance - touch TIMER button for at least 5 seconds
3. Place the appliance at a distance of about 5 meters to your router.
4. As long as the power is turned on, the WIFI indicator flashes slowly. After 3 minutes, the status will be canceled if there is no network configuration, and the indicator light is off. If you need to re-connect the WIFI, long-touch the “TIMER” button for 5 seconds to start the network configuration, the WIFI indicator flashes slowly.
5. When the WIFI indicator flashes slowly, select “Add Device”-“Small Home Appliances”-“Dehumidifier”, and follow the instructions on the Smart Life app. Select “AP Mode” on the upper right of the app, choose “Confirm indicator slowly blink” and press “Go to Connect” to connect the WIFI named “SmartLife-XXXX”.
6. If the WIFI indicator flash rapidly, it can be connected directly.
7. Once the appliance has been successfully connected, the WIFI lamp lights up. Now you can operate the appliance using the app.

Alternative Connection via Bluetooth - Open the bluetooth of your mobile phone or other device. When WIFI indicator flashes, open “Smart Life” APP, the unit will be connected via bluetooth automatically



TROUBLESHOOTING

Network connection failed	Solution
Network connection timeout	<ol style="list-style-type: none"> 1. Check if you select the WIFI named “SmartLife-XXXX”. 2. Turn off the machine and unplug the power cord and plug it in after 10 seconds, enter the App to connect again.
WIFI indicator off	Long press the “Timer” button or Turn off the machine and unplug the power cord and plug it in after 10 seconds.
The WIFI hotspot disappears and the WIFI light flashes	Turn off the machine and unplug the power cord and plug it in after 10 seconds, enter the App to connect again.

RO: CUPRINS

1.	NOȚIUNI PRELIMINARE	20
2.	INSTRUCȚIUNI PRIVIND SIGURANȚA	22
3.	PREZENTAREA PRODUSULUI	25
4.	INSTALARE	27
5.	FUNȚIONARE	28
6.	ÎNTREȚINERE	31
7.	DEPANARE	33
8.	ELIMINARE	34
9.	SMART LIFE APP - manual utilizare	35

Vă mulțumim că ați ales dezumidificatorul nostru.

Asigurați-vă că citiți cu atenție acest manual înainte de utilizarea dezumidificatorului.

Vă rugăm să păstrați cu atenție acest manual pentru referințe viitoare!

1. NOȚIUNI PRELIMINARE

Vă rugăm să citiți cu atenție instrucțiunile de utilizare înainte de a pune în funcțiune dezumidificatorul pentru prima dată.

A. DESCRIEREA PRODUSULUI

The Dezumidificatorul este utilizat pentru a îndepărta excesul de umiditate din aer. Reducerea nivelului umidității protejează clădirile și obiectele aflate înăuntrul acestora de efectele adverse ale umidității.

Produsul R290 este ecologic și folosit ca agent frigorific. R290 nu are nicio influență negativă asupra stratului de ozon (ODP) sau efect de seră (GWP) și este disponibil la nivel mondial. Datorită proprietăților sale energetice eficiente, R290 este foarte potrivit ca lichid de răcire în situația dată. Trebuie, însă, luate în considerare precauții speciale datorită nivelului ridicat de inflamabilitate a agentului frigorific.

B. SIMBOLURI FOLOSITE PE UNITATE ȘI ÎN MANUAL



Avertisment!

Acest aparat utilizează agent frigorific.

Dacă agentul frigorific se scurge și vine în contact cu o sursă de flacără sau de încălzire, va crea gaze nocive și există riscul de incendiu.



Citiți cu atenție manualul de instrucțiuni înainte de utilizare.



Informații suplimentare sunt disponibile în **MANUALUL DE UTILIZARE** și **MANUALUL DE SERVICE**.



Înainte de punerea în funcțiune a aparatului, persoanele care desfășoară operațiile de service trebuie să citească cu atenție **MANUALUL DE UTILIZARE** și **MANUALUL DE SERVICE**.

C.ACORDAȚI TOT TIMPUL ATENȚIE INFORMAȚIILOR DE MAI JOS

- Acest aparat este destinat atât utilizatorilor experți sau instruiți din magazine, industria ușoară și ferme cât și utilizatorilor casnici.
- Acest aparat poate fi utilizat de copii cu vârste peste 8 ani și persoane cu capacități

fizice, senzoriale sau mentale reduse sau lipsiți de experiență și cunoștințe, cu condiția ca aceștia să se afle sub supravegherea unor persoane adulte responsabile pentru siguranța lor sau în cazul în care primesc instrucțiuni cu privire la modul în care unitatea ar trebui utilizată.

- Acest dispozitiv nu este o jucărie. Copiii sub trei ani trebuie supravegheați în mod continuu și ținuți la distanță de acesta.
Curățarea și întreținerea dispozitivului nu trebuie efectuată de copii.
- Unitatea este proiectată numai pentru a fi utilizată cu gaz R290 (propan) ca agent frigorific desemnat.
- Circuitul de răcire este sigilat. Doar persoanele calificate pot desfășura reparații la circuitul de răcire.
Nu descărcați agentul frigorific în atmosferă.
- R290 (propan) este inflamabil și mai greu decât aerul.
- R290 poate fi identificat la nivelul solului, dar poate fi circulat și de către un ventilator.
- Dacă suspectați prezența gazului propan, nu permiteți persoanelor necalificate să încerce să repare instalația.
- Gazul propan utilizat în instalația acetui aparat nu are miros.
- Lipsa mirosului nu indică lipsa gazelor evacuate.
- Dacă este detectată o scurgere, evacuați imediat toate persoanele din zonă, aerisiți camera și contactați pompierii pentru a-i notifica despre scurgerea de propan.
- Nu permiteți niciunei persoane să se întoarcă în cameră înainte de ajungerea tehnicianului și de recomandarea acestuia cu privire la siguranța reîntoarcerii în zona afectată.
- Nu trebuie utilizate flăcări deschise, țigări sau alte surse posibile de aprindere în interiorul sau în vecinătatea aparatului.
- Piese componente sunt proiectate special pentru utilizarea împreună cu gazul propan. Piese componente se înlocuiesc numai cu piese de schimb identice.

NERESPECTAREA INSTRUCȚIUNILOR PRIVIND SIGURANȚA POT CREȘTE RISCUL DE EXPLOZII, MOARTE, RĂNIRE ȘI DAUNE MATERIALE.



Avertisment!



2. INSTRUCȚIUNI PRIVIND SIGURANȚA

Siguranța dvs. este cel mai important lucru pentru noi!



Vă rugăm să citiți acest manual cu atenție înainte de a folosi dezumidificatorul.

A. AVERTISMENTE PRIVIND FUNCȚIONAREA APARATULUI

Avertismente privind riscul de incendiu, electroșocurile, rănirea persoanelor sau daunele materiale:

- În cazul în care cablul de alimentare este deteriorat, acesta trebuie înlocuit de producător, agentul său de service sau de persoane calificate pentru a evita un pericol.
 - Nivelul de presiune sonoră ponderat A este sub 36 dB.
 - În timpul efectuării operațiilor de întreținere, aparatul trebuie deconectat de la sursa de alimentare.
 - Conectați întotdeauna aparatul la o sursă de tensiune, frecvență și putere corespunzătoare celor indicate pe placuța de identificare a produsului.
 - Utilizați întotdeauna o priză cu împământare.
 - Deconectați cablul de alimentare când curățați aparatul sau când nu îl utilizați.
 - Nu folosiți aparatul cu mâinile ude. Nu lăsați apa să se verse pe unitate.
 - Nu scufundați aparatul în apă și nu îl expuneți la ploaie, umiditate sau orice altă sursă de lichide.
 - Nu lăsați aparatul nesupravegheat atunci când funcționează.
- Nu îl înclinați și nu îl întoarceți cu susul în jos.
- Nu deconectați aparatul în timpul funcționării.
 - Nu deconectați prin tragerea cablului de alimentare.
 - Nu folosiți prelungitor sau adaptor.
 - Nu așezați obiecte pe aparat.
 - Nu vă urcați și nu stați pe aparat.
 - Nu introduceți degete sau alte obiecte în orificiul de evacuare a aerului.
 - Nu atingeți orificiul de evacuare a aerului sau fantele de aluminiu ale aparatului.
 - Nu folosiți aparatul dacă a căzut, este deteriorat sau prezintă semne de defecțiune.
 - Nu curățați aparatul cu substanțe chimice.
 - Asigurați-vă că aparatul stă departe de foc, obiecte inflamabile sau explozive.
 - Aparatul trebuie instalat în conformitate cu reglementările naționale privind sistemele de cablare.
 - Nu folosiți alte mijloace pentru a accelera procesul de decongelare sau curățare, altele decât cele recomandate de producător.
 - Aparatul trebuie depozitat într-o încăpere fără dispozitive care funcționează continuu (de exemplu: flacăra deschisă, aparat cu gaz sau un încălzitor electric).
 - Aparatul trebuie să fie depozitat astfel încât să se prevină deteriorarea acestuia.
 - Nu demontați și nu aruncați în foc aparatul, chiar și după utilizare.

- Fiți conștienți de faptul că agenții de refrigerare nu au miros.
- Țevile aparatului trebuie protejate de deteriorarea fizică și nu trebuie instalate într-un spațiu neventilat, dacă acest spațiu este mai mic de 4m².
- Respectați reglementările naționale privind gazele.
- Păstrați orificiile de ventilație libere de obstacole.
- Aparatul trebuie depozitat într-o zonă bine ventilată, unde dimensiunea camerei să corespundă condițiilor specificate, pentru o funcționare corectă.



Oricare persoane care lucrează cu un circuit de refrigerare trebuie să dețină un certificat valabil emis de către o autoritate de evaluare acreditată în domeniu, care să autorizeze competența lor de a manipula agenții frigorifici în condiții siguranță, în conformitate cu specificațiile recunoscute în industria respectivă.



Reparațiile aduse instalației trebuie efectuate numai conform recomandărilor producătorului. Întreținerea și reparațiile necesită asistența unui personal calificat și se efectuează sub supravegherea unei persoane competente în utilizarea agenților frigorifici inflamabili. Dacă există aspecte pe care nu le înțelegeți sau în cazul în care aveți nevoie de ajutor, vă rugăm să contactați serviciile dealerului autorizat.

B. PRECAUȚII DE SIGURANȚĂ PRIVIND REPARAȚIILE

Vă rugăm să luați în considerare aceste avertismente înainte de a efectua operații de întreținere la un dezumidificator cu R290.

i. Verificări în vecinătatea aparatului

Înainte de începerea lucrărilor la sistemele care conțin agenți frigorifici inflamabili, sunt necesare verificări de siguranță pentru a se asigura că riscul de aprindere este minimizat. Pentru repararea sistemului frigorific se vor respecta următoarele precauții, înainte de efectuarea lucrărilor la sistem.

ii. Procedura de lucru

Lucrările se desfășoară în conformitate cu o procedură controlată, astfel încât să se reducă la minimum riscul apariției gazului sau vaporilor inflamabili în timpul lucrărilor.

iii. Zona de lucru

Tot personalul de întreținere și alte persoane care lucrează în vecinătate trebuie să fie instruiți cu privire la natura lucrărilor desfășurate. Se va evita munca în spații închise. Zona din jurul spațiului de lucru este delimitată. Asigurați-vă că spațiile din zonă au fost securizate prin controlul materialelor inflamabile.

iv. Verificarea prezenței agentului frigorific

Zona trebuie verificată cu un detector de agenți de refrigerare adecvat înainte și în timpul lucrului, pentru a vă asigura prezența materialelor potențial inflamabile. Asigurați-vă că echipamentul de detectare a scurgerilor utilizat este adecvat pentru identificarea agenților frigorifici inflamabili, nu scoate scânteii și este sigilat corespunzător.

v. Prezența stingătorului de incendii

În cazul în care se efectuează lucrări la cald pe echipamentul de refrigerare sau la orice piesă asociată acestuia, trebuie să fie disponibil echipament adecvat de stingere a incendiilor. Asigurați-vă că aveți în apropiere stingătoare cu pulbere uscată sau CO2.

vi. Fără surse de aprindere

Nici o persoană care efectuează lucrări în cadrul unui sistem de refrigerare și care implică expunerea la un agent frigorific inflamabil nu trebuie să folosească surse de aprindere astfel încât să evite riscul de incendiu sau explozie. Toate sursele posibile de aprindere, inclusiv fumatul, trebuie să fie păstrate suficient de departe de locul de instalare, reparare, demontare și eliminare, acolo unde poate fi eliberat refrigerant inflamabil. Înainte de efectuarea lucrărilor, zona din jurul instalației trebuie să fie verificată pentru a vă asigura că nu există produse inflamabile sau riscuri de aprindere. Se va folosi placuța „Fumatul interzis”.

vii. Zonă ventilată

Asigurați-vă că zona de lucru este bine ventilată înainte de a începe lucrările la instalație sau de a efectua lucrări la cald. Ventilarea trebuie să disperseze în siguranță orice agent frigorific eliberat și, de preferință, să-l expulzeze extern în atmosferă.

viii. Verificări la instalația cu agent frigorific

În cazul în care componentele electrice sunt schimbate, acestea trebuie să fie adecvate scopului și să urmeze specificațiile corecte. În orice moment trebuie respectate instrucțiunile producătorului privind întreținerea și operațiile de service. În caz de îndoială, consultați departamentul tehnic al producătorului pentru asistență.

Următoarele verificări se aplică instalațiilor care utilizează agenți frigorifici inflamabili:

- Dimensiunea sarcinii este în concordanță cu dimensiunea camerei în care sunt instalate componentele care conțin agentul frigorific;
- Dispozitivele și gurile de ventilație funcționează adecvat și nu sunt obstrucționate;
- În cazul în care se utilizează un circuit de refrigerare indirect, circuitul secundar trebuie verificat în vederea detectării prezenței agentului frigorific;
- Marcajele echipamentului de lucru vor fi vizibile și lizibile. Orice marcaj și semn care sunt ilizibile vor fi corectate;
- Instalația cu agent frigorific sau componentele acesteia sunt așezate astfel încât să nu poate fi expuse la vreo substanță corozivă, cu excepția cazului în care componentele sunt construite din materiale care sunt în mod inerent rezistente împotriva coroziunii sau sunt protejate în mod corespunzător.

ix. Verificări la aparatele electrice

Repararea și întreținerea componentelor electrice trebuie să includă verificări de siguranță inițiale și proceduri de inspecție a componentelor. În cazul în care există o defecțiune care ar putea compromite siguranța, atunci aparatul nu va fi conectat la curent până când nu este rezolvată defecțiunea în mod satisfăcător. Dacă defecțiunea nu poate fi corectată imediat,

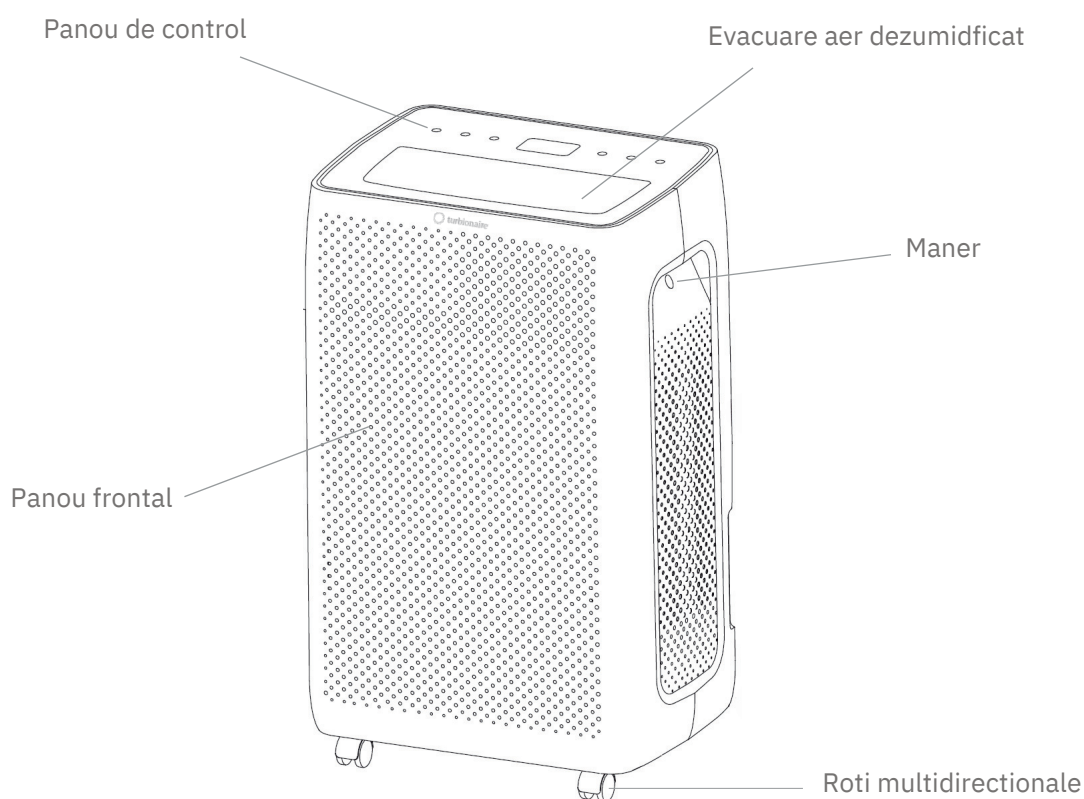
dar este necesară continuarea funcționării, se va utiliza o soluție temporară adecvată. Acest lucru este raportat proprietarului echipamentului, astfel încât toate părțile au cunoștință de această situație.

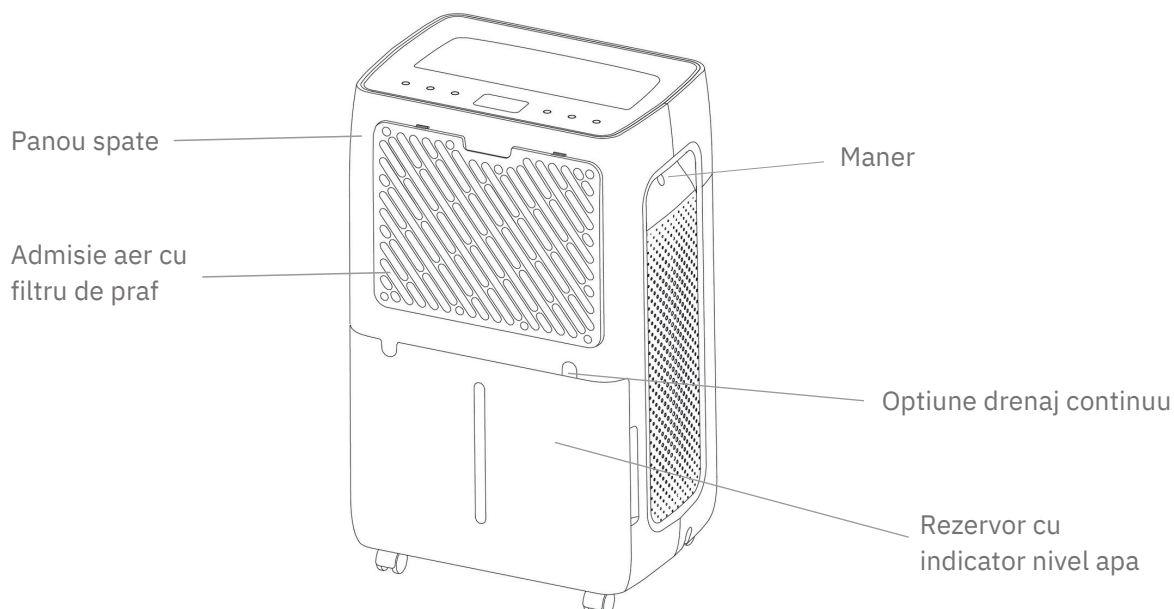
Controalele de siguranță inițiale se efectuează când:

- condensatorii sunt descărcați: acest lucru trebuie făcut în condiții de siguranță pentru a evita apariția scânteilor;
- componentele electrice și cablurile nu se află sub tensiune și în timpul încărcării, recuperării sau purjării sistemului;
- există o continuitate a împământării.

3.PREZENTAREA PRODUSULUI

A. VEDERE FAȚĂ ȘI SPATE





B. CARACTERISTICI

- Functie Auto Swing
- Îndepărtare eficientă a umidității
- Monitorizeaza si afiseaza umiditatea curentă din aer
- Modul Automat ajustează automat nivelul umidității
- Timer cu interval de 24 de ore pentru a seta timpul de funcționare
- Îndepărtează eficient umiditatea și praful din aer
- Consum redus de energie, eficient din punct de vedere energetic
- Ventilatorul este silențios, având două trepte de viteză
- Decongelare automată în cazul funcționării la temperatură joasă
- Oprire automată / repornire automată
- Ionizare (pentru modelele echipate cu aceasta functie)
- Control de la distanta prin aplicatie via WIFI (pentru modelele echipate cu aceasta functie)
- Control tactil
- Conexiune WiFi
- Funcție de uscare a rufelor (Mod Continuu)
- Mod drenaj continuu
- Rezervor de apă de 4.5L

C. SPECIFICATII TEHNICE

MODEL	Senso N 20
Capacitate dehumidificare	20 L/ Zi (30°C, 80%)
Alimentare	AC220-240V/50Hz
Consum	330W/2.3A
Nivel zgomot	≤ 38dB(A)
Capacitate rezervor de apă	4.5L
Greutate netă	13.5 kg
Presiune maximă de proiectare	Înaltă: 3.2MPa Joasă: 0.7MPa
Dimensiunea minimă a camerei	4 m ² (suprafața podelei)

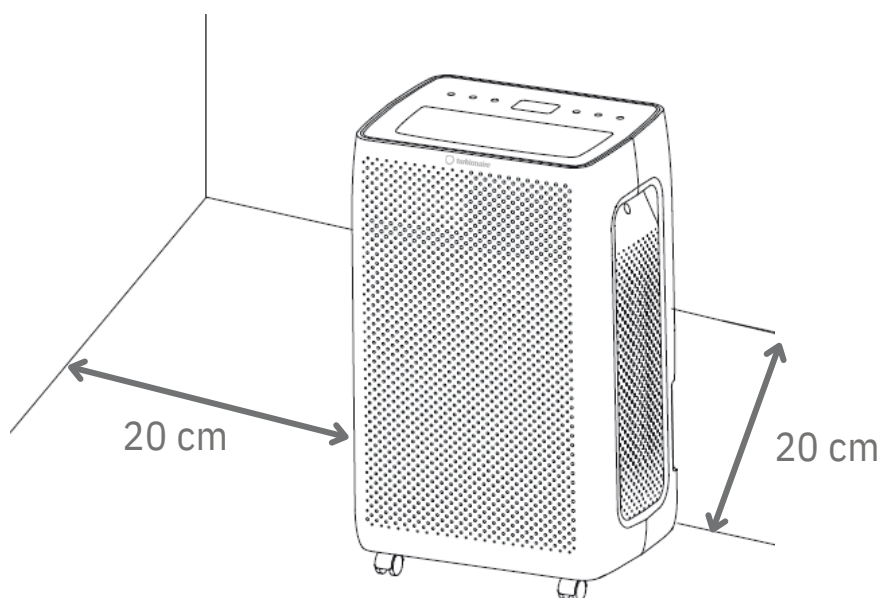
4. INSTALARE

A. AMPLASAREA DEZUMIDIFICATORULUI

Așezați unitatea pe o suprafață stabilă, plată și păstrați cel puțin 30 cm de spațiu liber în jurul acesteia, pentru a permite circulația adecvată a aerului.

Nu instalați niciodată unitatea:

- Lângă surse de căldură precum calorifere, radiatoare, sobe sau alte dispozitive care produc căldură.
- Într-o zonă în care se poate stropi ulei sau apă
- În lumina directă a soarelui
- Într-o zonă cu vibrații sau șocuri mecanice
- Într-o zonă cu praf excesiv
- Într-o zonă neventilată, cum ar fi dulapul sau biblioteca
- Pe o suprafață neuniformă



ATENȚIE

Instalați unitatea în camere care depășesc 4 m².

Nu instalați unitatea într-un loc în care se poate scurge gaz inflamabil.



NOTĂ

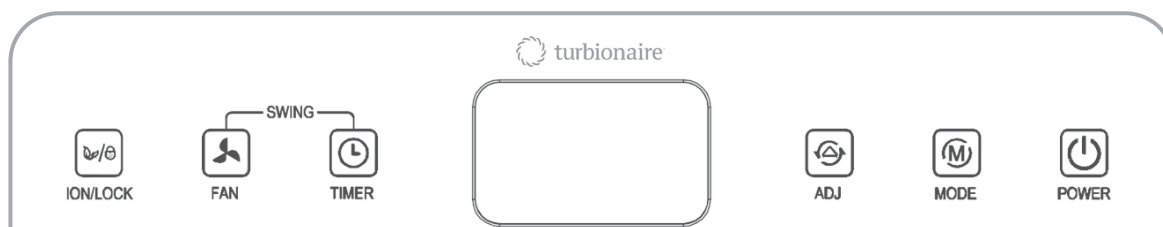
Producătorul poate oferi un alt exemplu adecvat sau poate furniza informații suplimentare despre mirosul agentului frigorific.

B. UTILIZAREA ÎN SIGURANȚĂ A APARATULUI

- După ce ați despachetat, verificați dacă există daune sau zgârieturi pe unitate.
- Utilizați această unitate la o temperatură ambientală între 5°C și 38°C.
- Nu folosiți dezumidificatorul în aer liber. Acest dezumidificator este destinat numai pentru utilizarea în spații rezidențiale.
- Nu utilizați dezumidificatorul în apropierea pereților, perdelelor sau a altor obiecte care pot bloca admisia și evacuarea aerului.
- Păstrați orificiile de admisie și evacuare a aerului libere de obstacole.
- Dacă a fost este înclinată la un unghi mai mare de 45°, lăsați unitatea să stea în poziție verticală cel puțin 24 de ore înainte de pornire.
- Păstrați ușile și ferestrele închise pentru o mai bună eficiență a dezumidificatorului.
- Nu folosiți și nu depozitați unitatea la lumina directă a soarelui sau în ploaie.
- Este normal ca orificiul de evacuare a aerului să se încălzească după funcționarea continuă în zilele călduroase.
- Goliți rezervorul de apă înainte de a muta dezumidificatorul.
- Asigurați-vă că rezervorul de apă este montat corect, altfel unitatea nu funcționează corespunzător.
- Dezumidificatorul pornește în modul selectat la ultima utilizare.
- Dezumidificatorul începe să dezumidifice aerul din cameră dacă umiditatea este cu 3% mai mare decât valoarea selectată.
- Compresorul este dotat cu un sistem de protecție care întârzie pornirea cu 3 minute. Astfel, va trebui să așteptați 3 minute pentru ca dezumidificatorul să reia procesul de dezumidificare.

5. FUNCȚIONARE

Panoul de control



Buton POWER - Atingeți acest buton pentru a porni sau opri unitatea.

Buton MODE - Atingeți acest buton pentru a alege modul Auto, Sleep sau Dezumidificare continua

Buton ADJ - Atingeți acest buton pentru a regla nivelul de umiditate și pentru a alege ora cronometrului (timerului)

Buton TIMER - Atingeți acest buton pentru a seta o oră pentru pornirea sau oprirea automată a unității. Pentru **activare WiFi** (pentru modelele echipate cu această funcție) atinge butonul **TIMER** pentru cel puțin 5 secunde. Indicatorul WiFi de pe display va începe să clipească.

Buton ION/LOCK (pentru modelele care nu sunt echipate cu funcție de ionizare) - Atingeți acest buton pentru a activa sau dezactiva funcția de purificare prin ionizare. Atingeți lung acest buton pentru a activa blocarea panoului de control împotriva atingerilor accidentale (Child Lock)

Display (Afisaj) - Afișează valoarea umidității, setarea temporizatorului, temperatura și alte informații.




BUTON PORNIRE (POWER)

În modul standby apăsați acest buton pentru a porni unitatea, indicatorul corespunzător se va aprinde, ventilatorul funcționează la o viteză ridicată implicită, iar nivelul umidității setate este de 50%. În acest mod de funcționare, apăsați același buton pentru a opri unitatea, indicatorul corespunzător se va stinge, compresorul se oprește imediat, apoi ventilatorul se va opri cu o întârziere de 30 de secunde.



MODURI DE FUNCȚIONARE (MODE)



- **Mod Automat / Mod Dezumidificare continuă / Mod Sleep** atingeți acest buton pentru a schimba de la un mod la altul, iar indicatorul corespunzător se va aprinde.
- **Mod Automat:** când umiditatea încăperii \geq umiditatea setată 3%, ventilatorul pornește și compresorul începe să funcționeze după 3 secunde. Când umiditatea încăperii \leq umiditatea setată 3%, compresorul se oprește, la fel și ventilatorul după 30 de secunde de întârziere. Atât viteza ventilatorului, cât și umiditatea pot fi reglate în modul Auto (automat). Atingeți butonul ADJ  pentru a regla nivelul de umiditate de la 30% la 80% în modul automat. Atât viteza ventilatorului, cât și umiditatea pot fi reglate în modul automat.
- **Mod Dezumidificare continuă:** Unitatea continuă să funcționeze indiferent de nivelul de umiditate cu ventilatorul la viteza maximă, însă viteza ventilatorului poate fi ajustată, dar umiditatea nu poate fi reglată.
- **Mod Sleep (Repaus):**

Atingeți butonul Sleep, indicatorul se aprinde și pornește funcția Sleep, umiditatea implicită umiditatea este setată la 60%. Dacă pe panoul de control nu este nicio acțiune, după 10 secunde display-ul cu indicatori se întunecă treptat și viteza ventilatorului este comutată automat de la viteza mare la scăzută. Atingeți din nou butonul Sleep pentru a ieși din modul de repaus. Atât viteza ventilatorului, cât și umiditatea pot fi ajustate în modul de repaus. Atingeți butonul MODE din nou pentru a ieși din modul SLEEP. În modul Sleep, când rezervorul de apă este plin, semnalul acustic este oprit, dar indicatorul luminos ce indică rezervor plin va fi aprins în culoarea roșie pentru a reaminti că trebuie să goliți rezervorul de apă.



TIMER (cronometru)

Atingeți butonul TIMER pentru a seta cronometrul / verifica cronometrul / anula cronometrul Pentru un interval între 0 și 24 ore.

Când display-ul indică  intermitent atingeți butonul ADJ  pentru a crește valoarea cu câte o oră, indicând pe ecran fiecare modificare.

Cu dispozitivul pornit, în stare de funcționare, utilizați funcția TIMER pentru a opri dispozitivul la un anumit interval de timp setat.

Cu dispozitivul în stand-by, utilizați funcția TIMER pentru a porni dispozitivul după un anumit interval de timp setat.

Setați ora "00" pentru a anula funcția TIMER:

Atingeți butonul **TIMER** timp de **5 secunde pentru a activa funcția WiFi** (pentru modelele echipate cu această funcție), vă rugăm să consultați instrucțiunile de conectare via WiFi.



FAN Speed - Viteza ventilator

Atingeți butonul o dată pentru a comuta între Viteză mare a ventilatorului - Viteză mică a ventilatorului, indicatorul corespunzător vitezei setate se va aprinde. Viteza ventilatorului poate fi reglată doar în modul automat al dezumidicatorului.



SWING



Modul SWING - Atingeți butonul FAN și TIMER în același timp pentru a porni funcția de balansare automată a flapsului de evacuare a aerului dezumidificat. Apăsăți din nou pentru a opri funcția de balansare.



ION/ LOCK - Atingeți butonul lung pentru cel puțin 3 secunde pentru a activa sau dezactiva funcția de blocare de blocare a panoului de control (Child Lock) împotriva atingerilor accidentale. Atingeți și țineți atins acest buton pentru încă 3 secunde pentru a dezactiva funcția de blocare a panoului de control.

ION (pentru modelele echipate cu această funcție) - Atingeți scurt acest buton pentru a activa funcția de purificare a aerului prin ionizare.

ALARMĂ REZERVOR DE APĂ PLIN

- Când rezervorul dispozitivului se umple, alarma se activează timp de 5 secunde. Indicatorul LED de avertizare umplere al rezervorului de apă, devine roșu, iar aparatul scoate un semnal acustic de 5 ori. Acest indicator se află poziționat pe panoul de control, deasupra LED-ului de notificare PORNIT (POWER) al dispozitivului.
- Când alarma este pornită, apăsați orice buton pentru a o opri. Compresorul și ventilatorul se opresc, la fel și celelalte funcții active, până la golirea rezervorului de apă și reinstalarea acestuia în poziția corectă.

A. Drenare

Există două moduri de îndepărtare a apei colectate produsă de unitate.

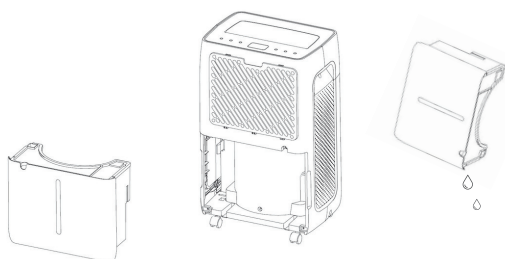
a) Drenare manuală: Rezervorul de apă, scos și golit manual.

b) Drenarea continuă: Atașarea la dispozitiv a unui furtun de scurgere gravitațională a apei rezultată din condensare.

B. Golirea rezervorului

Dispozitivul se va opri imediat ce rezervorul se va umple cu apă. Dezumidicatorul va reporni doar după ce goliți rezervorul de apă și îl reinstalați corect. Când rezervorul este plin, dispozitivul va emite un sunet acustic, iar indicatorul LED „Water Full” (Rezervor Plin) se va aprinde.

- Apăsăți butonul POWER pentru a opri unitatea.
- Trageți de rezervorul de apă și acesta va ieși din corpul dezumidicatorului.
- Goliți apa din rezervor.
- Curățați interiorul rezervorului, dacă este nevoie, precum și exteriorul.
- Introduceți rezervorul gol înapoi în unitate.
- Apăsăți butonul POWER pentru a relua funcționarea dispozitivului.
- Dacă indicatorul corespunzător rezervorului plin rămâne încă aprins, verificați dacă plutitorul rezervorului se află în poziția corectă și nu este blocat în altă poziție.



AVERTISMENT

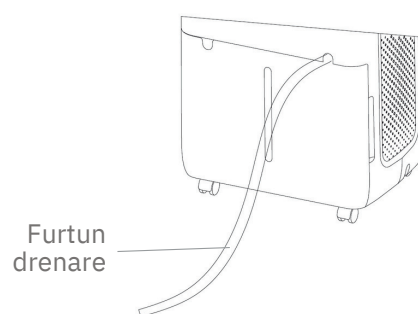
Nu aruncați magneții și piesele de plastic din rezervorul de apă. În caz contrar, unitatea nu va se opri automat atunci când rezervorul de apă este plin, iar apa provenita din condens poate ajunge pe podea deteriora podeaua camerei. Asigurați-vă să curățați apa condensată din rezervorul de apă înainte de a reseta modul de funcționare al mașinii.

1. Dacă rezervorul de apă este murdar, clătiți-l cu apă curată. Evitați utilizarea detergentilor, a substantelor chimice, a uleiului diesel, a benzinei, a diluanților sau a altor solvenți. Altfel, rezervorul de apă poate fi deteriorat.
2. Puneți rezervorul gol înapoi în unitate. În caz contrar, indicatorul pentru rezervorul plin de apă poate rămâne roșu și unitatea nu poate reporni.

C. Drenare continuă

Pentru funcționarea continuă sau dezumidificare nesupravegheată, vă rugăm să conectați furtunul de scurgere, la unitate. Apa condensată se va scurge liber, gravitațional, într-o găleată sau într-o gură de scurgere.

- Așezați unitatea pe o suprafață orizontală și stabilă.
- Opriți unitatea înainte de a drena apa.



- Conectați corect furtunul de scurgere și asigurați-vă că nu este obstrucționat.
- Introduceți capătul de evacuare al furtunului într-o gură de scurgere sau găleată și asigurați-vă că apa poate curge liber din unitate.
- Nu scufundați capătul furtunului în apă, astfel poate provoca „blocarea aerului” în furtun.

Pentru a evita scurgerile de apă:

- Deoarece presiunea negativă a vasului de scurgere a condensului este mare, înclinați furtunul de drenare, în jos, spre podea. Este necesar ca unghiul de înclinare să depășească 20°.
- Îndreptați furtunul pentru a evita indoirea acestuia.

6. ÎNTREȚINERE

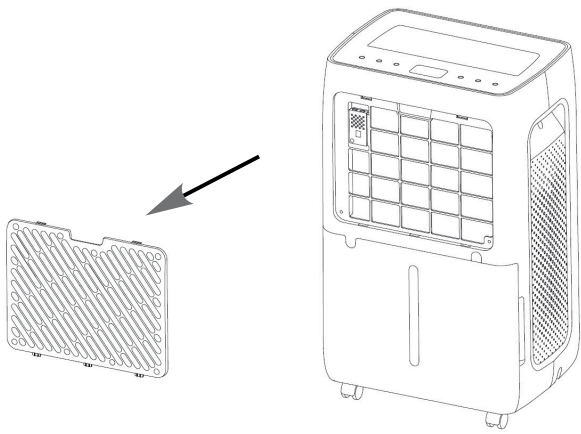
CURĂȚAREA FILTRULUI DE AER

Curățați filtrul cel puțin o dată la două săptămâni sau ori de câte ori este nevoie.

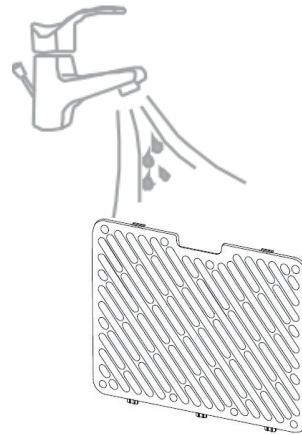
Impuritățile acumulate într-un filtru necurățat pot fi absorbite de ventilator fixându-se pe vaporizator, condensator și alte componente din interiorul unității, ceea ce duce la scăderea randamentului și apariția diverselor defecțiuni care nu fac, în acest caz, obiectul garanției.

Dacă se constată depuneri de impurități în interiorul unității, contactați cel mai apropiat service autorizat în vederea curățării profesionale a acesteia. Nu efectuați operațiuni de curățare internă (altele decât curățarea și spălarea filtrului lavabil) decât cu personal specializat.

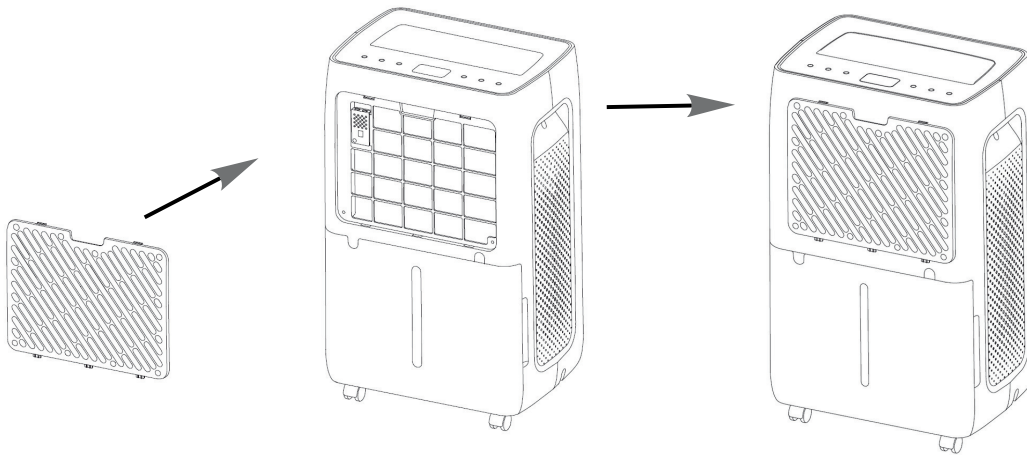
a) Scoateți grila filtrului și îndepărtați filtrul.



b) Folosiți un aspirator pentru a îndepărta ușor praful de pe suprafața filtrului. Dacă filtrul este foarte murdar, spălați-l cu apă și cu detergent și uscați-l bine după aceea.



c) Reașezați filtrul la locul său în spatele dispozitivului.



7. DEPANARE

a) TEMPERATURA DE FUNCȚIONARE

5°C ≤ Temp. ambientala ≤ 38°C

Când temperatura ambientala este mai mică sau mai mare decât temperatura de funcționare, dezumidificatorul se oprește.

Când 5°C ≤ Temp. Ambientă ≤ 16°C, compresorul se decongelează automat la anumite intervale; în timpul decongelării, compresorul se oprește și ventilatorul continuă să funcționeze.

b) ÎNAINTE DE A SOLICITA SERVICE

Înainte de a contacta centrul de service, consultați lista de posibile probleme care pot apărea în timpul funcționării unității și care nu sunt rezultatul unui defect de manopera sau materiale folosite.

Problemă	Cauze posibile	Soluție
Aparatul nu funcționează	Nu există alimentare.	Conectați aparatul la o priză de curent și porniți-l.
	Indicatorul “Water Full” (Rezervor Plin) este aprins.	Goliți rezervorul de apă și reasezați-l la locul potrivit.
	Temperatura camerei <5°C sau >38°C	Sistem de protecție instalat pentru a proteja unitatea. Unitatea nu poate funcționa la o astfel de temperatură.
Funcționare defectuoasă	Filtrul de aer este blocat?	Curățați filtrul de aer după cum este explicat în acest manual.
	Este blocat orificiul de admisie sau de evacuare?	Îndepărtați orice lucru obstrucționează orificiul de admisie sau evacuare.
Orificiul de admisie a aerului nu permite trecerea aerului	Filtrul este blocat?	Spălați filtrul.
Unitatea scoate zgomote în timpul funcționării	Unitatea este poziționată pe o suprafață orizontală și plată?	Așezați unitatea corespunzător.
	Filtrul este blocat?	Spălați filtrul.

E1/E2	Probleme la senzorul de umiditate	Schimbați senzorul
LO	Umiditatea mediului ambient este de sub 20%	Dezumidificatorul se oprește automat pentru a se autoproteja.
HI	Umiditatea mediului ambient este de peste 90%	
CL	Protecție la temperatură scăzută, când temp. camerei este <5°C	
CH	Protecție la temperatură ridicată, când temp. camerei este >38°C	

8. ELIMINARE

8.1 DEPOZITAREA UNITATII

Depozitare pe termen lung - Dacă nu veți folosi unitatea pentru o perioadă lungă de timp (mai mult de câteva săptămâni), vă recomandăm să o curățați și să o uscați complet.

Vă rugăm să depozitați unitatea urmând acești pași:

- Apăsați butonul de alimentare pentru a opri unitatea și deconectați-o de la priza de alimentare cu curent.
- Scurgeți apa rămasă în unitate.
- Curățați filtrul și lăsați-l să se usuce complet într-o zonă ferită de lumină.
- Înfășurați cablul de alimentare.
- Reinstalați filtrul în poziția corectă.
- Unitatea trebuie păstrată în poziție verticală atunci când este depozitată.
- Păstrați dezumidificatorul într-o cameră ventilată, uscată, fără combustibili.

ATENȚIE: Evaporatorul din interiorul dezumidificatorului trebuie uscat înainte de ambalarea acestuia pentru a evita deteriorarea componentelor și apariția mușgaiului. Deconectați unitatea și așezați-o într-un spațiu deschis uscat timp de zile pentru a se usca bine. Un alt mod de a usca unitatea este de a seta nivelul umidității la 5% peste umiditatea ambientală, pentru a forța ventilatorul să usuce evaporatorul timp de câteva ore.

8.2 ELIMINARE

AVERTIZARE!!!



Eliberarea agentului frigorific în atmosferă este strict interzisă!

Nu aruncați aparatele electrice ca deșeuri municipale nesortate, ci folosiți spațiile de colectare separate. Contactați administrația locală pentru informații despre sistemele de colectare disponibile în zonă. Dacă aparatele electrice sunt aruncate împreună cu gunoiul menajer, substanțele periculoase se pot infiltra în apele subterane și pot ajunge în lanțul alimentar, dăunând sănătății și bunăstării persoanelor.

Vă mulțumim că ați ales Turbionaire!

Pentru sfaturi de specialitate privind electrocasnicele dvs. Turbionaire, ajutor sau reparații, vă rugăm să ne contactați la www.turbionaire.com/warranty.

Alte detalii suplimentare cu privire la acest produs:

- Informații
- Specificații tehnice
- Etichetă energetică

pot fi consultate accesând www.turbionaire.com

Producator si importator:

SC Intax Trading SRL - Str. Ion Creanga nr. 14B, 075100, Otopeni, Ilfov, Romania. Tel (+40) 318 246 246 Fax (+40) 214 203 151 office@intaxtrading.com
www.intaxtrading.com

**Pentru Turbionaire DEEE/ Ambalaje si
deșeuri de ambalaje/ Baterii în EU**

Vă rugăm să scanați aici codul QR



SMART LIFE App - Manual de utilizare pentru SENSO N 20

Aplicația „Smart Life” este disponibilă pentru Android și iOS.

Scanați cu smartphone-ul codul QR corespunzător pentru a accesa direct descărcarea.



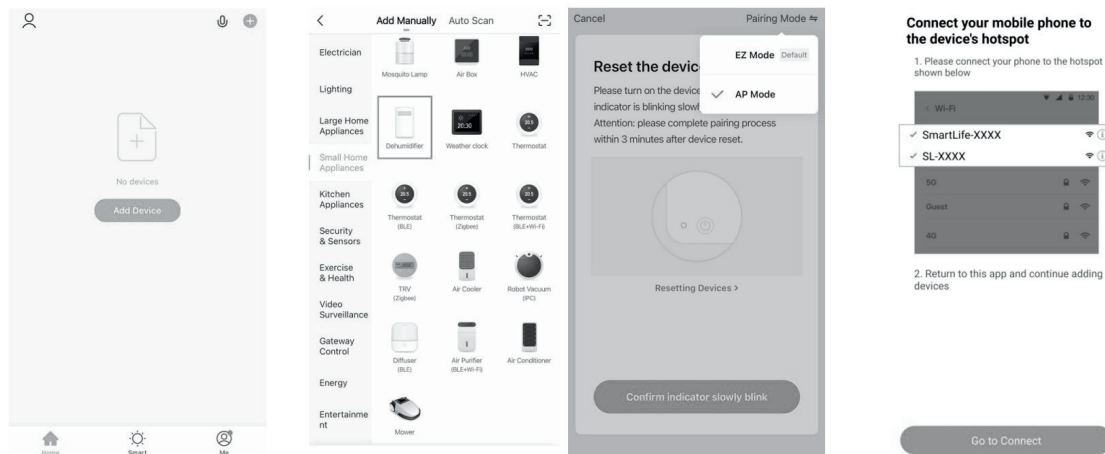
Cum se folosește aplicația

Acest aparat vă permite să utilizați aparatul prin rețeaua dvs. de acasă WIFI. O condiție prealabilă este o conexiune WIFI permanentă la router și aplicația gratuită „Smart Life”. Vă recomandăm să deconectați aparatul de la sursa de alimentare atunci când sunteți departe de casă pentru a preveni pornirea neintenționată.

Punerea în funcțiune prin intermediul aplicației

1. Instalați aplicația „Smart Life”. Creați un cont de utilizator.
2. Activați funcția WIFI în setările aparatului dvs- atingeți pentru cel puțin 5 secunde butonul TIMER
3. Așezați aparatul la o distanță de aproximativ 5 metri față de router.
4. Atâta timp cât este pornit, indicatorul WIFI de pe display clipește lent. După 3 minute, starea va fi anulată dacă nu există configurație de rețea și indicatorul WIFI este stins. Dacă trebuie să reconectați WIFI, atingeți lung butonul „TIMER” timp de 5 secunde pentru a porni configurația rețelei, indicatorul WIFI va clipi încet.
5. Când indicatorul WIFI clipește încet, selectați „Adăugare dispozitiv” - „Electrocasnice mici” - „Dezumidificator” și urmați instrucțiunile de pe afișaj. Selectați „AP Mode” în partea dreaptă sus a aplicației, alegeți „Confirmă indicatorul clipește încet” și apăsați „Go to Connect” pentru a conecta WIFI numit „SmartLife-XXXX”.
6. După ce aparatul a fost conectat cu succes, lampa WIFI se aprinde. Acum puteți utiliza aparatul folosind aplicația.
7. Dacă indicatorul WIFI clipește rapid, se poate conecta rapid, direct.
8. Atinge butonul Timer timp de aproximativ 5 secunde, dispozitivul se va conecta, indicatorul WIFI se aprinde pe display. Atinge din nou pentru cel puțin 5 secunde butonul TIMER, dispozitivul se va deconecta, iar indicatorul WiFi se va stinge.

Conexiune alternativă prin Bluetooth - Deschideți Bluetooth-ul telefonului tău mobil sau al altui dispozitiv. Când indicatorul WIFI clipește, deschideți aplicația „Smart Life”, unitatea se va conecta automat prin bluetooth



DEPANARE

Conexiunea la rețea a eșuat	Soluție
Expirarea conexiunii la rețea	1. Verificați dacă selectați WIFI numit „SmartLife-XXXX”. 2. Oprțiți aparatul și deconectați codul de alimentare și pluginul după 10 secunde, introduceți aplicația pentru a vă conecta din nou.
Indicatorul WIFI este dezactivat	Apăsați lung butonul „Timer” sau Oprțiți aparatul și deconectați codul de alimentare și pluginul după 10 secunde.
Hotspot-ul WIFI dispăre și lumina WIFI clipește	Oprțiți aparatul și deconectați codul de alimentare și pluginul după 10 secunde, introduceți aplicația pentru a vă conecta din nou.

DE: INHALT

1.	VORBEMERKUNGEN	37
2.	SICHERHEITSANWEISUNGEN	41
3.	PRODUKTVORSTELLUNG	42
4.	EINRICHTUNG	44
5.	BETRIEB	46
6.	INSTANDHALTUNG	49
7.	FEHLERBEHEBUNG	50
8.	ENTSORGUNG	51
9.	SMART LIFE APP - Benutzerhandbuch	53

Vielen Dank, dass Sie sich für unseren Luftentfeuchter entschieden haben.
Lesen Sie dieses Handbuch sorgfältig durch, bevor Sie den Luftentfeuchter

Bitte bewahren Sie dieses Handbuch zum späteren Nachschlagen sorgfältig auf!

1.VORBEMERKUNGEN

Bitte lesen Sie die Bedienungsanleitung sorgfältig durch, bevor Sie den Luftentfeuchter zum ersten Mal in Betrieb nehmen.

A. PRODUKTBESCHREIBUNG

Mit dem Luftentfeuchter wird der Luft überschüssige Feuchtigkeit entzogen. Durch Verringern der Luftfeuchtigkeit werden Gebäude und sich darin befindliche Gegenstände vor den nachteiligen Auswirkungen der Luftfeuchtigkeit geschützt.

Das Produkt R290 ist umweltfreundlich und wird als Kältemittel eingesetzt. R290 hat keinen negativen Einfluss auf die Ozonschicht (ODP) oder den Treibhauseffekt (GWP) und ist weltweit erhältlich. Aufgrund seiner energieeffizienten Eigenschaften eignet sich R290 in dieser Situation sehr gut als Kühlmittel. Aufgrund der hohen Entflammbarkeit des Kältemittels sind jedoch besondere Vorkehrungen zu treffen.

B. SYMBOLE, DIE AM GERÄT UND IM HANDBUCH VERWENDET WERDEN



Warnung!

Dieses Gerät verwendet Kältemittel. Wenn das Kältemittel austritt und mit einer Flamme oder einer Wärmequelle in Berührung kommt, entstehen schädliche Gase und es besteht Brandgefahr.



Lesen Sie die Bedienungsanleitung vor Gebrauch sorgfältig durch.



Weitere Informationen finden Sie in der **BEDIENUNGSANLEITUNG** und der **WARTUNGSANLEITUNG**.



Vor der Inbetriebnahme des Geräts sollten die Personen, die die Wartungsarbeiten durchführen, die **BEDIENUNGSANLEITUNG** und die **WARTUNGSANLEITUNG** sorgfältig lesen.

C.ACHTEN SIE STETS AUF DIE FOLGENDEN INFORMATIONEN

- Dieses Gerät ist sowohl für erfahrene als auch für geschulte Benutzer in Geschäften, in der Leichtindustrie und in landwirtschaftlichen Betrieben sowie für Haushaltsbenutzer bestimmt.

- Dieses Gerät kann von Kindern über 8 Jahren und Personen mit eingeschränkten körperlichen, sensorischen oder geistigen Fähigkeiten oder mangelnder Erfahrung und mangelndem Wissen verwendet werdenvorausgesetzt, sie werden von erwachsenen Personen beaufsichtigt, die für ihre Sicherheit verantwortlich sind, oder wenn sie Anleitungen darüber bekommen wie die Einheit verwendet werden sollte.
- Dieses Gerät ist kein Spielzeug. Kinder unter drei Jahren mü ssen ständig überwacht

und von dem Gerät ferngehalten werden.

- Das Gerät ist ausschließlich für die Verwendung von R290 (Propangas) als Kältemittel

vorgesehen.

• Der Kühlkreislauf ist abgedichtet. Reparaturen am Kühlkreislauf dürfen nur von qualifizierten Personen durchgeführt werden.

- Kältemittel nicht in die Atmosphäre ablassen.

R290 (Propan) ist brennbar und schwerer als Luft.

R290 kann am Boden identifiziert werden, kann aber auch von einem Lüfter umgewälzt werden.

• Lassen Sie bei Verdacht auf Anwesenheit von Propangas nicht zu, dass Unqualifizierte versuchen, die Anlage zu reparieren.

- Das bei der Einrichtung dieses Geräts verwendete Propangas ist geruchsneutral.

• Das Fehlen von Gerüchen deutet nicht auf das Fehlen von Abgasen hin.

• Wenn eine Undichtigkeit festgestellt wird, bitte sofort alle Personen in der Umgebung evakuieren, den Raum lüften und sich an die Feuerwehr wenden, um sie über eine Propanleckage zu informieren.

• Lassen Sie keine Person in den Raum zurückkehren, bevor der Techniker eintrifft, und bevor dieser seine Empfehlung über die Sicherheit der Rückkehr in den betroffenen Bereich gibt.

• Offenes Feuer, Zigaretten oder andere mögliche Zündquellen dürfen nicht im oder in der der Nähe des Geräts verwendet werden.

• Die Bauteile sind speziell für den Einsatz mit Propangas ausgelegt. Die Bauteile werden nur durch identische Ersatzteile ersetzt.

DIE NICHTEINHALTUNG DER SICHERHEITSANLEITUNGEN KANN DIE GEFAHR VON EXPLOSIONEN, TOD KÖRPERVERLETZUNG UND SACHSCHÄDEN ERHÖHEN.



WARNUNGEN!



2. SICHERHEITSANWEISUNGEN

Ihre Sicherheit ist das Wichtigste für uns!



Bitte lesen Sie dieses Handbuch sorgfältig durch, bevor Sie den Luftentfeuchter verwenden.

A. WARNHINWEISE FÜR DEN BETRIEB DES GERÄTS

WARNUNGEN: bezüglich der Gefahr von Bränden, Stromschlag, Körperverletzung oder Sachschaden:

- Wenn das Netzkabel beschädigt ist, muss es vom Hersteller, seinem Kundendienst oder qualifiziertem Personal ausgetauscht werden, um Gefahren zu vermeiden.
- Der gewichtete Schalldruckpegel A liegt unter 36 dB.
- Während der Wartung muss das Gerät vom Stromnetz getrennt sein.
- Schließen Sie das Gerät immer an eine Spannungsquelle an, die den Angaben auf dem Typenschild entspricht.
- Verwenden Sie immer eine geerdete Steckdose.
- Ziehen Sie das Netzkabel ab, wenn Sie das Gerät reinigen oder es nicht benutzen.
- Benutzen Sie die Maschine nicht mit nassen Händen. Lassen Sie kein Wasser in das Gerät fließen.
- Tauchen Sie das Gerät nicht in Wasser und setzen Sie es weder Regen noch Feuchtigkeit oder anderen Flüssigkeiten aus.
- Lassen Sie das Gerät während des Betriebs nicht unbeaufsichtigt. Kippen Sie es nicht und drehen Sie es nicht um.
- Trennen Sie das Gerät nicht während des Betriebs vom Stromnetz.
- Trennen Sie das Gerät nicht durch Ziehen am Netzkabel.
- Verwenden Sie kein Verlängerungskabel oder einen Adapter.
- Stellen Sie keine Gegenstände auf das Gerät.
- Klettern Sie nicht auf das Gerät und stellen Sie sich nicht darauf.
- Stecken Sie keine Finger oder andere Gegenstände in den Luftauslass.
- Berühren Sie nicht den Luftauslass oder die Aluminiumschlitze im Gerät.
- Verwenden Sie das Gerät nicht, wenn es heruntergefallen oder beschädigt ist oder Anzeichen von Fehlfunktionen aufweist.
- Reinigen Sie das Gerät nicht mit Chemikalien.
- Stellen Sie sicher, dass das Gerät nicht in der Nähe von Feuer, brennbaren oder explosionsgefährdeten Gegenständen steht.
- Das Gerät muss gemäß den nationalen Vorschriften für Verkabelungssysteme installiert werden.
- Verwenden Sie keine anderen als die vom Hersteller empfohlenen Mittel, um den Auftau- oder den Reinigungsprozess zu beschleunigen.
- Das Gerät muss in einem Raum ohne Dauerbetrieb gelagert werden (z. B. offenes Feuer, Gasgerät oder Elektroheizung).
- Das Gerät muss so gelagert werden, dass es nicht beschädigt wird.

- Zerlegen oder entsorgen Sie das Gerät nicht in einem Feuer, auch nicht nach dem Gebrauch.
- Beachten Sie, dass Kältemittel nicht riechen.
- Die Leitungen des Geräts müssen vor physischen Beschädigungen geschützt werden und dürfen nicht in einem unbelüfteten Raum installiert werden, wenn dieser Raum kleiner als 4 m² ist.
- Bitte die nationalen Gasvorschriften einhalten.
- Halten Sie die Lüftungsöffnungen frei von Hindernissen.
- Das Gerät sollte für einen ordnungsgemäßen Betrieb an einem gut belüfteten Ort gelagert werden, an dem die Raumgröße den angegebenen Bedingungen entspricht.



Jeder, der an einem Kältekreislauf arbeitet, muss über ein gültiges Zertifikat verfügen, das von einer akkreditierten Bewertungsbehörde ausgestellt wurde und dessen Befugnis zum sicheren Umgang mit Kältemitteln gemäß den in dieser Branche anerkannten Spezifikationen bestätigt ist.



Reparaturen an der Installation dürfen nur gemäß den Empfehlungen des Herstellers durchgeführt werden. Wartung und Reparaturen erfordern die Unterstützung von qualifiziertem Personal und werden unter Aufsicht einer Person durchgeführt, die für die Verwendung brennbarer Kältemittel zuständig ist. Treten Probleme auf, die Sie nicht verstehen oder wenn Sie Hilfe benötigen, wenden Sie sich bitte an den autorisierten Händler.

B. SICHERHEITSHINWEISE BEI REPARATUREN

Bitte beachten Sie diese Warnungen, bevor Sie Wartungsarbeiten an einem R290-Luftentfeuchter durchführen.

i. PRÜFUNGEN IN DER NACHBARSCHAFT DES GERÄTS

Vor Beginn der Arbeiten an Anlagen mit brennbaren Kältemitteln sind Sicherheitskontrollen erforderlich, um das Zündrisiko zu minimieren. Bei der Reparatur der Kälteanlage sind die folgenden Vorsichtsmaßnahmen zu beachten, bevor die Arbeiten an der Anlage ausgeführt werden.

ii. ARBEITSVERFAHREN

Die Arbeiten werden nach einem kontrollierten Verfahren durchgeführt, um das Risiko des Auftretens von brennbaren Gasen oder Dämpfen während der Arbeiten zu minimieren.

iii. ARBEITSBEREICH

Das gesamte Wartungspersonal und andere in der Nachbarschaft tätige Personen sollten in der Art der ausgeführten Arbeiten geschult sein. Vermeiden Sie Arbeiten auf engstem Raum. Das Areal um den Arbeitsbereich ist begrenzt. Stellen Sie sicher, dass die Räume in der Umgebung durch die Prüfung entflammbarer Materialien gesichert wurden.

iv. ÜBERPRÜFUNG DER ANWESENHEIT DES KÄLTEMITTELS

Der Bereich muss mit einem geeigneten Kältemitteldetektor überprüft werden, um zu prüfen, ob möglicherweise entzündbare Materialien vorhanden sind. Vergewissern Sie sich, dass die verwendeten Leckanzeigergeräte zur Identifizierung von brennbaren Kältemitteln geeignet sind, dass sie keine Funken von sich geben und ordnungsgemäß versiegelt sind.

v. VORSTELLUNG DES FEUERLÖSCHERS

Wenn an der Kälteanlage oder einem damit verbundenen Teil Heiarbeiten durchgefhrt werden, muss eine geeignete Feuerlschausrstung vorhanden sein. Stellen Sie sicher, dass Sie ein Lscher mit trockenem Pulver oder einen CO₂-Lscher in der Nhe haben.

vi. OHNE ZNDQUELLEN

Keine Person, die Arbeiten an einer Klteanlage ausfhrt und die einem brennbaren Kltemittel ausgesetzt ist, darf Zndquellen verwenden, um die Gefahr von Brnden oder Explosionen zu vermeiden. Alle mglichen Zndquellen, einschlielich des Rauchens, sollten weit genug vom Ort der Installation, Reparatur, Demontage und Entsorgung entfernt sein, an dem brennbares Kltemittel freigesetzt werden kann. Vor Durchfhrung der Arbeiten ist der Bereich um die Anlage herum auf brennbare Produkte und Entzndungsgefahren zu berprfen. Das "Rauchen verboten" Schild muss angebracht sein.

vii. BELFTETER BEREICH

Stellen Sie sicher, dass der Arbeitsbereich gut belftet ist, bevor Sie mit Arbeiten an der Anlage oder Heiarbeiten beginnen. Durch die Belftung sollte das freigesetzte Kltemittel sicher verteilt und vorzugsweise nach auen, in die Atmosphre ausgestoen werden.

viii. PRFUNGEN AN DER KLTEMITTELANLAGE

Wenn die elektrischen Komponenten gendert werden, mssen sie dem Verwendungszweck entsprechen und die korrekten Spezifikationen befolgen. Die Anweisungen des Herstellers in Bezug auf Wartungs- und Servicearbeiten mssen jederzeit befolgt werden. Wenden Sie sich im Zweifelsfall an die technische Abteilung des Herstellers.

Die folgenden Prfungen gelten fr Installationen mit brennbaren Kltemitteln:

- Die Gre der Ladung richtet sich nach der Gre des Raums, in dem die Bauteile installiert sind, die das Kltemittel enthalten.
- Die Belftungsgerte und -ffnungen funktionieren ordnungsgem und sind nicht verstopft.
- Bei Verwendung eines indirekten Kltekreislaufs muss der Sekundrkreislauf auf das Vorhandensein des Kltemittels berprft werden.
- Die Markierungen der Arbeitsausrstung sind sichtbar und lesbar. Nicht lesbare Markierungen und Zeichen werden korrigiert;

- Die Kältemittelanlage oder ihre Bauteile sind so angeordnet, dass sie keinem ätzenden Stoff ausgesetzt werden können, es sei denn, die Bauteile bestehen aus Materialien, die ihrer Art nach korrosionsbeständig oder ausreichend geschützt sind.

ix. PRÜFUNGEN DER ELEKTRISCHEN GERÄTE

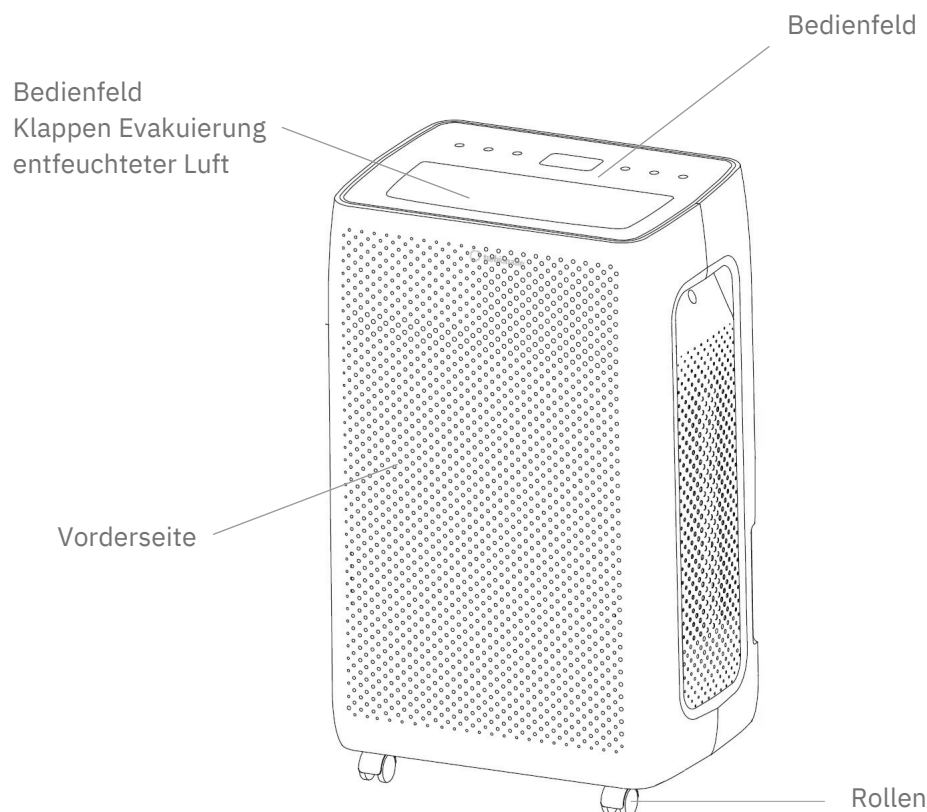
Die Reparatur und Wartung elektrischer Bauteile muss erste Sicherheitsprüfungen und Verfahren zur Überprüfung der Bauteile umfassen. Wenn ein Fehler vorliegt, der die Sicherheit beeinträchtigen könnte, wird das Gerät erst dann wieder an die Stromversorgung angeschlossen, wenn der Fehler zufriedenstellend behoben wurde. Wenn der Fehler nicht sofort behoben werden kann, der Betrieb jedoch fortgesetzt werden muss, wird eine geeignete vorübergehende Lösung verwendet. Dies wird dem Eigentümer des Geräts gemeldet, damit alle Beteiligten über diese Situation informiert sind.

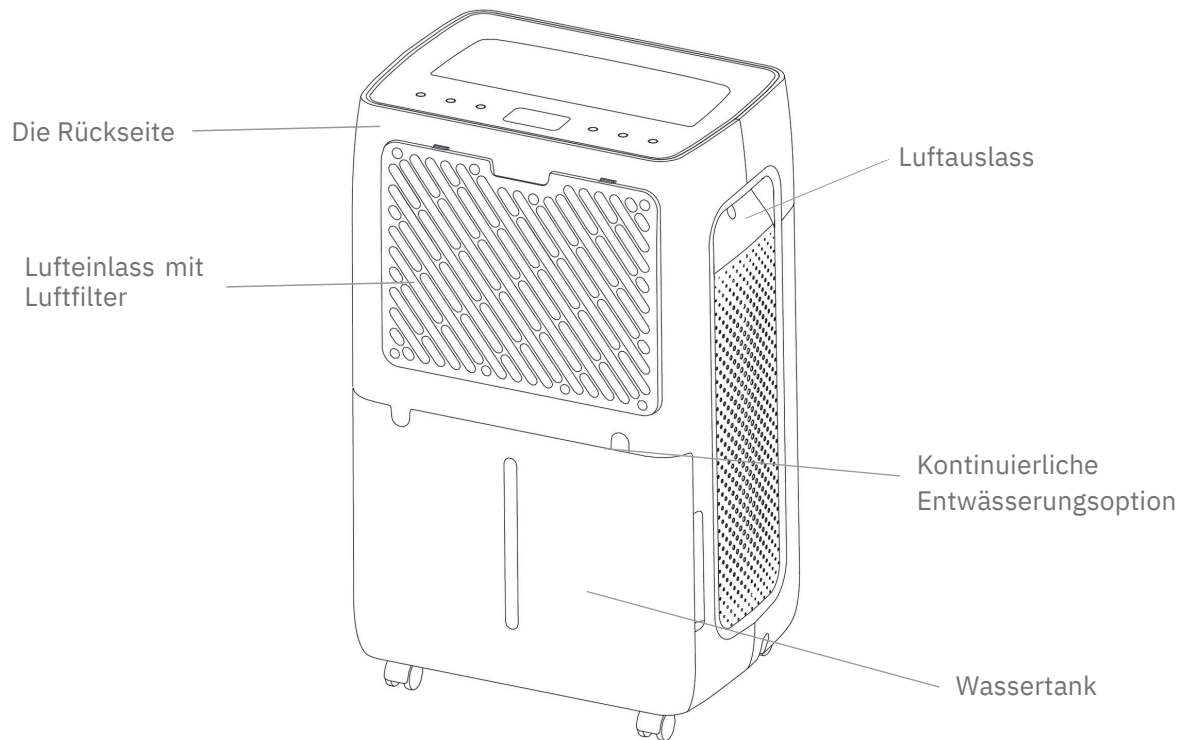
Erste Sicherheitsüberprüfungen werden durchgeführt, wenn:

- Kondensatoren entladen werden: Dies muss unter Sicherheitsbedingungen geschehen, um das Auftreten von Funken zu vermeiden.
 - Die elektrischen Bauteile und Kabel stehen auch während des Ladens, Wiederherstellens oder Löschens des Systems nicht unter Spannung.
- es besteht eine Kontinuität der Erdung.

3. PRODUKTVORSTELLUNG

A.SICHT VORNE UND HINTEN





B. EIGENSCHAFTEN

- Auto-Swing-Funktion
- Überwachung und Anzeige der aktuellen Luftfeuchtigkeit.
- Der Auto-Modus passt die Luftfeuchtigkeit automatisch an
- 24-Stunden-Timer zum Einstellen der Betriebszeit.
- Entfernt Feuchtigkeit und Staub aus der Luft.
- Geringer Stromverbrauch – energieeffizient.
- Leiser Lüfter mit zwei Geschwindigkeitseinstellungen.
- Automatisches Abtauen bei niedriger Temperatur.
- Automatische Abschaltung/automatischer Neustart.
- Leistungsstarke Feuchtigkeitsentfernung.
- App-Steuerung über WIFI (für Modelle, die mit dieser Funktion ausgestattet sind)
- Touch-Steuerung
- Wäschetrocknungsfunktion (Dauermodus)
- Staubfilter Kontinuierliche Entleerung
- 4,5 l Wassertank

C.TECHNISCHE SPEZIFIKATIONEN

MODELL	SENSO N 20
Entfeuchtungskapazität	20 L/Tag (30°C, 80%)
Zulauf	AC220-240V/50Hz
Verbrauch	330W/2,3A
Schallpegel	≤41dB(A)
Wassertank Kapazität	4,5L
Nettogewicht Minimale	13,5 kg
Raumgröße	4 m ² (Floor area)

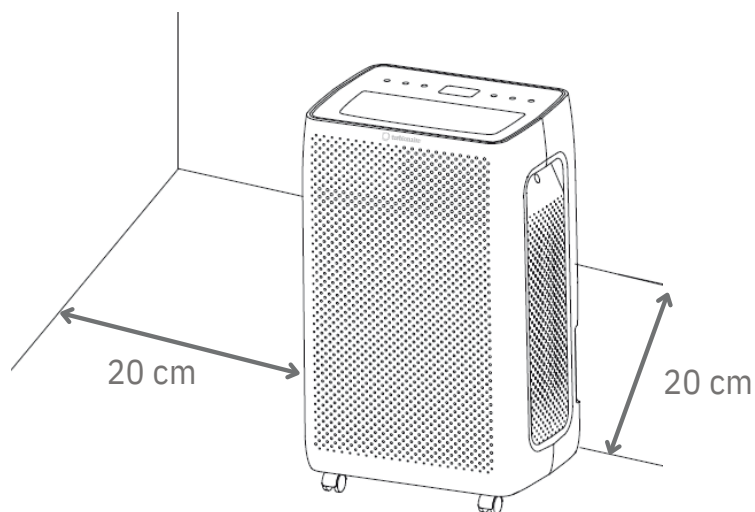
4.EINRICHTUNG

A.STANDORT DES ENTFEUCHTERS

Place Stellen Sie das Gerät auf eine stabile, ebene Fläche und lassen Sie um das Gerät herum mindestens 30 cm Freiraum, um eine ordnungsgemäße Luftzirkulation zu gewährleisten.

Installieren Sie niemals das Gerät:

- Neben Wärmequellen wie Heizkörpern, Heizstrahler, Herden oder anderen wärmeerzeugenden Geräten.
- In einem Bereich, in dem Öl oder Wasser versprüht werden kann
- In direktem Sonnenlicht
- In einem Bereich mit Vibrationen oder mechanischen Stößen
- In einem Bereich mit übermäßigem Staub
- In einem unbelüfteten Bereich wie einem Schrank oder einer Bibliothek
- Auf unebenem Untergrund



**VORSICHT**

Stellen Sie das Gerät in Räumen auf, die größer sind als 4 m².

Stellen Sie das Gerät nicht an einem Ort auf, an dem entflammbares Gas austreten kann.

**BEMERKUNG**

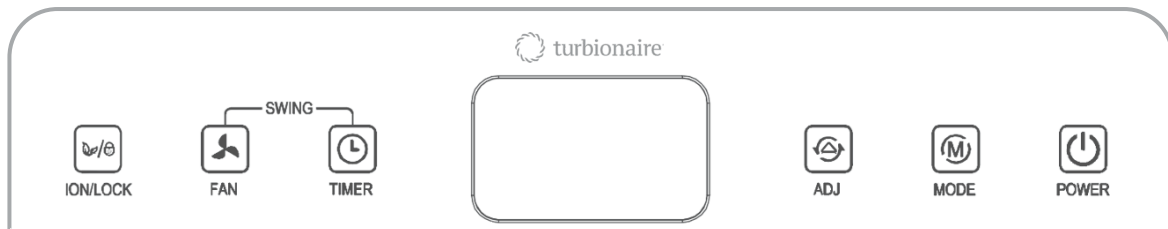
Der Hersteller kann ein anderes geeignetes Beispiel oder zusätzliche Informationen zum Geruch des Kältemittels bereitstellen.

B. SICHERER GEBRAUCH DES GERÄTS

- Überprüfen Sie das Gerät nach dem Auspacken auf Beschädigungen oder Kratzer.
- Verwenden Sie dieses Gerät bei einer Umgebungstemperatur zwischen 5 ° C und 35 8 C.
- Verwenden Sie den Luftentfeuchter nicht im Freien. Dieser Luftentfeuchter ist nur für den Hausgebrauch bestimmt.
- Verwenden Sie den Luftentfeuchter nicht in der Nähe von Wänden, Vorhängen oder anderen Gegenständen, die den Lufteinlass und -auslass blockieren könnten.
- Halten Sie die Einlass- und Auslassöffnungen frei von Hindernissen
- Wenn das Gerät in einem Winkel von mehr als 45 ° geneigt wurde, lassen Sie es vor dem Start mindestens 24 Stunden lang aufrecht stehen.
- Halten Sie Türen und Fenster geschlossen, um die Effizienz des Luftentfeuchters zu verbessern.
- Verwenden oder lagern Sie das Gerät nicht in direktem Sonnenlicht oder im Regen.
- Es ist normal, dass sich der Luftauslass nach einem Dauerbetrieb an heißen Tagen erwärmt.
- Leeren Sie den Wassertank, bevor Sie den Luftentfeuchter bewegen.
- Stellen Sie sicher, dass der Wassertank ordnungsgemäß montiert ist, da sonst das Gerät nicht richtig funktioniert.
- Der Luftentfeuchter startet in dem Modus, der bei der letzten Verwendung ausgewählt wurde.
- Der Luftentfeuchter beginnt, die Raumluft zu entfeuchten, wenn die Luftfeuchtigkeit 3% über dem gewählten Wert liegt.
- Der Kompressor ist mit einem Schutzsystem ausgestattet, das den Start um 3 Minuten verzögert. Sie müssen also 3 Minuten warten, bis das Gerät den Entfeuchtungsprozess wieder aufgenommen hat.

5. BETRIEB

Bedienfeld



POWER-Taste – Berühren Sie diese Taste, um das Gerät ein- oder auszuschalten.

MODUS-Taste – Berühren Sie diese Taste, um den automatischen, Schlaf- oder kontinuierlichen Entfeuchtungsmodus auszuwählen.

ADJ-Taste – Berühren Sie diese Taste, um die Luftfeuchtigkeit anzupassen und die Stunde des Timers auszuwählen.

TIMER-Taste – Berühren Sie diese Taste, um eine Zeit einzustellen, zu der das Gerät automatisch startet oder stoppt.

Um WLAN zu aktivieren (für Modelle, die mit dieser Funktion ausgestattet sind), berühren Sie die TIMER-Taste mindestens 5 Sekunden lang. Die WLAN-Anzeige auf dem Display beginnt zu blinken.

Schaltfläche „Lüftergeschwindigkeit“ – Berühren Sie diese Schaltfläche, um die Lüftergeschwindigkeit zwischen hoch und niedrig auszuwählen.

ION/LOCK-Taste (für Modelle, die nicht mit Ionisationsfunktion ausgestattet sind) – Berühren Sie diese Taste, um die Ionisator-Luftreinigungsfunktion ein- oder auszuschalten. Durch langes Berühren dieser Schaltfläche wird die Kindersicherungsfunktion ein- oder ausgeschaltet.

SWING – Drücken Sie gleichzeitig die TIMER- und FAN-Taste, um die Swing-Funktion zu starten.

Anzeige – Zeigt den Luftfeuchtigkeitwert, die Timer-Einstellung, die Temperatur und andere Informationen an.



POWER

POWER-Taste – Berühren Sie im Standby-Modus die Power-Taste, um den Luftentfeuchter und den Betrieb einzuschalten

Die Anzeige leuchtet auf und die standardmäßige Lüftergeschwindigkeit ist hoch und die standardmäßige Luftfeuchtigkeit beträgt 50 %. Drücken Sie im eingeschalteten Zustand zum Ausschalten die Ein-/Aus-Taste. Die Betriebsanzeige erlischt, der Kompressor stoppt sofort und der Lüfter schaltet sich nach einer Verzögerung von 30 Sekunden ab.




MODE

MODUS-Taste – Berühren Sie die Modustaste, um zwischen dem automatischen Modus, dem Schlafmodus und dem kontinuierlichen Entfeuchtungsmodus zu wechseln.

• **Auto-Modus:** Wenn die Umgebungsfeuchtigkeit \geq der eingestellten Luftfeuchtigkeit 3 % ist, beginnt der Lüfter zu arbeiten und

Der Kompressor beginnt nach 3 Sekunden zu arbeiten. Wenn die Umgebungsfeuchtigkeit \leq der eingestellten Luftfeuchtigkeit 3 % ist, stoppt der Kompressor und der Lüfter nach einer Verzögerung von 30 Sekunden.

Berühren Sie die ADJ-Taste,  um die Luftfeuchtigkeit im Automatikmodus zwischen 30 % und 80 % einzustellen.

Sowohl die Lüftergeschwindigkeit als auch die Luftfeuchtigkeit können im Automatikmodus angepasst werden.

• **Kontinuierlicher Entfeuchtungsmodus:** Das Gerät läuft weiterhin mit hoher Geschwindigkeit, die Lüftergeschwindigkeit kann angepasst werden, die Luftfeuchtigkeit kann nicht angepasst werden.

- Schlafmodus: Berühren Sie die Schaltfläche „Schlafmodus“. Die Schaltfläche leuchtet auf und startet standardmäßig die Schlaffunktion

Die Luftfeuchtigkeit beträgt 60 %. Wenn das Bedienfeld nicht innerhalb von 10 Sekunden betätigt wird, werden alle Anzeigen nach und nach dunkel und die Lüftergeschwindigkeit wird automatisch von hoch auf niedrig umgeschaltet. Berühren Sie die SLEEP-Taste erneut, um den Schlafmodus zu verlassen. Sowohl die Lüftergeschwindigkeit als auch die Luftfeuchtigkeit können im Schlafmodus angepasst werden. Berühren Sie die MODE-Taste erneut, um den SLEEP-Modus zu verlassen.



TIMER-Taste

Berühren Sie die TIMER-Taste, um die 00-24-Stunden-Timing-Funktion einzustellen.

Das Anzeigefeld „88“ blinkt und zeigt die Stunde des Timers an. Berühren Sie die ADJ-Taste,



um den Wert zu erhöhen 1 Stunde wird der Wert auf dem Display angezeigt.

Verwenden Sie im laufenden Zustand die Timer-Funktion, um die Maschine regelmäßig auszuschalten.

Nutzen Sie im Standby-Zustand die Timer-Funktion, um die Maschine regelmäßig einzuschalten.

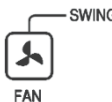
Stellen Sie die Zeit auf „00“, um die Zeitmessungsfunktion abzubrechen.

Halten Sie die TIMER-Taste 5 Sekunden lang gedrückt, um die WLAN-Funktion zu aktivieren. Bitte beachten Sie die WLAN-Anleitung auf den letzten Seiten (für Modelle, die mit dieser Funktion ausgestattet sind).



Taste „LÜFTERGESCHWINDIGKEIT“ – Zyklus hoher/niedriger Lüftergeschwindigkeit. Berühren

Sie die Taste einmal, um umzuschalten, und dann leuchtet die entsprechende Anzeige auf. Im kontinuierlichen Trocknungsmodus und in der Abtauphase kann die Lüftergeschwindigkeit nicht geändert werden.



SWING-Modus – Berühren Sie gleichzeitig die Tasten FAN und TIMER, um die

automatische Swing-Funktion zu starten. Drücken Sie erneut, um die Swing-Funktion zu stoppen.



ION/LOCK-Taste – Berühren Sie diese Taste, um die Luftreinigungsfunktion des Ionisators ein- oder auszuschalten.

Drücken Sie lange auf diese Taste, um die Kindersicherungsfunktion ein- oder auszuschalten.

Alarm „Wassertank voll“.

Wassertankanzeige – Wenn der Tank 5 Sekunden lang voll ist, wird ein Alarm ausgelöst. Die Wassertankanzeige leuchtet rot und das Gerät summt fünfmal.

Löschen Sie den Alarm – Wenn das akustische Signal eingeschaltet ist, berühren Sie eine beliebige Taste, um es zu stoppen. Der Kompressorlüfter schaltet sich ab und alle Funktionen bleiben stehen, bis der Tank entleert ist und wieder in der richtigen Position ist.

A. Entwässerung

Es gibt zwei Möglichkeiten, das vom Gerät erzeugte gesammelte Wasser zu entfernen.

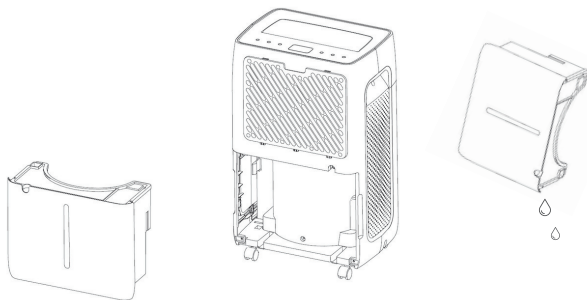
a) Manuelle Entleerung: Der Wassertank wird manuell entnommen.

b) Kontinuierliche Entleerung: Befestigen Sie einen Ablaufschlauch am Gerät, sodass das Kondenswasser durch Schwerkraft abfließen kann.

B. Entleeren des Wassertanks

Das Gerät schaltet sich ab, sobald der Wassertank voll ist. Sobald Sie den Wassertank geleert und ordnungsgemäß wieder eingesetzt haben, läuft er wieder. Wenn der Tank voll ist, gibt das Gerät ein summendes Geräusch von sich und die LED „Wasser voll“ leuchtet auf.

- Berühren Sie die POWER-Taste, um das Gerät auszuschalten.
- Ziehen Sie am Wassertank und schieben Sie ihn aus dem Gehäuse des Luftentfeuchters.
- Entleeren Sie das Wasser in einen Bereich mit Abfluss oder ins Freie.
- Reinigen Sie bei Bedarf sowohl das Innere als auch das Äußere des Tanks.
- Setzen Sie den leeren Tank wieder in das Gerät ein.
- Drücken Sie die POWER-Taste, um das Gerät neu zu starten.
- Wenn die LED „Wasser voll“ immer noch leuchtet, prüfen Sie, ob der Schwimmer des Wassertanks richtig platziert und frei von Blockaden ist.
- Wenn die Anzeige „Wasser voll“ nicht erlischt, prüfen Sie, ob der Schwimmer richtig eingesetzt ist.



Warnung

1. Wassertankmagnete und Kunststoffnieten nicht wegwerfen. Andernfalls stellt das Gerät den Betrieb nicht automatisch ein, wenn der Wassertank voll ist, und das Kondenswasser läuft über und beschädigt den Boden des Raums. Bitte reinigen Sie unbedingt das Kondenswasser im Wassertank, bevor Sie den Arbeitsmodus der Maschine zurücksetzen.
2. Wenn der Wassertank verschmutzt ist, spülen Sie ihn mit klarem Wasser aus. Vermeiden Sie die Verwendung von Reinigungsmitteln, Stahlkugeln, chemischen Staubentfernern, Dieselöl, Benzol, Verdünnungsmitteln oder anderen Lösungsmitteln. Andernfalls wird der Wassertank beschädigt und leckt.
3. Setzen Sie den leeren Tank wieder in das Gerät ein. Andernfalls bleibt die Wasservollanzeige möglicherweise rot und das Gerät kann nicht neu gestartet werden.

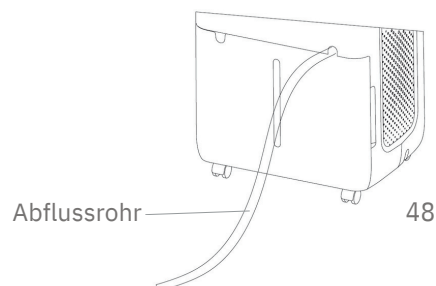
C. Kontinuierliche Entwässerung

Für den Dauerbetrieb oder die unbeaufsichtigte Entfeuchtung schließen Sie bitte den beiliegenden Ablaufschlauch an das Gerät an. Kondenswasser fließt durch die Schwerkraft ungehindert in einen Eimer oder ein Abflussloch ab.

- Stellen Sie das Gerät auf eine horizontale und stabile Oberfläche.
- Schalten Sie das Gerät vor dem Betrieb aus.
- Schließen Sie den Ablaufschlauch richtig an und stellen Sie sicher, dass er nicht verstopft ist.
- Stecken Sie das Ablaufende des Schlauchs in einen Abfluss oder einen Eimer und stellen Sie sicher, dass das Wasser ungehindert aus dem Gerät abfließen kann.
- Tauchen Sie das Schlauchende nicht in Wasser, da dies dazu führen kann, dass sich die Luft im Schlauch "blockiert".

Um ein Auslaufen von Wasser zu verhindern:

- Da der Unterdruck des Kondensatablaufbehälters hoch ist, neigen Sie den Ablaufschlauch nach unten, auf den Boden. Der Neigungswinkel muss über 20° sein. Den Schlauch gerade ziehen, um ein Verbiegen zu vermeiden.



6. INSTANDHALTUNG

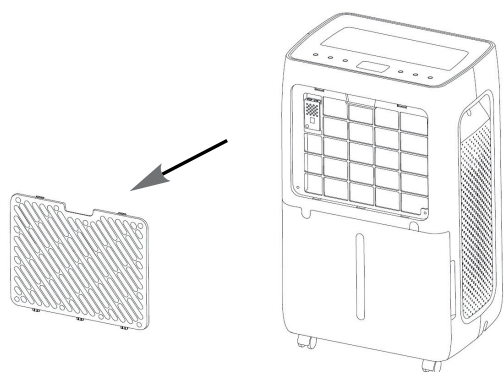
REINIGUNG DES LUFTFILTERS

Reinigen Sie den Filter mindestens alle zwei Wochen oder bei Bedarf. Die in einem unsauberen Filter angesammelten Verunreinigungen können vom Lüfter absorbiert werden und am Verdampfer, Kondensator und anderen Bauteilen im Inneren des Geräts befestigt werden. Dies führt zu einer Verringerung des Wirkungsgrades und zum Auftreten verschiedener Fehler, die nicht von der Garantie abgedeckt sind.

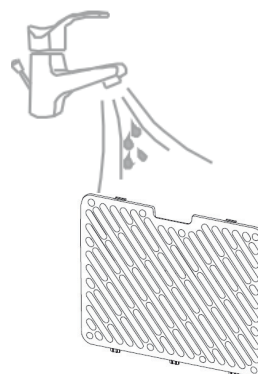
Wenn sich im Inneren des Geräts Verunreinigungen befinden, wenden Sie sich zur professionellen Reinigung an die nächstgelegene autorisierte Servicewerkstatt.

Führen Sie internen Reinigungsarbeiten (außer dem Reinigen und Waschen des abwaschbaren Filters) nur mit Fachpersonal durch.

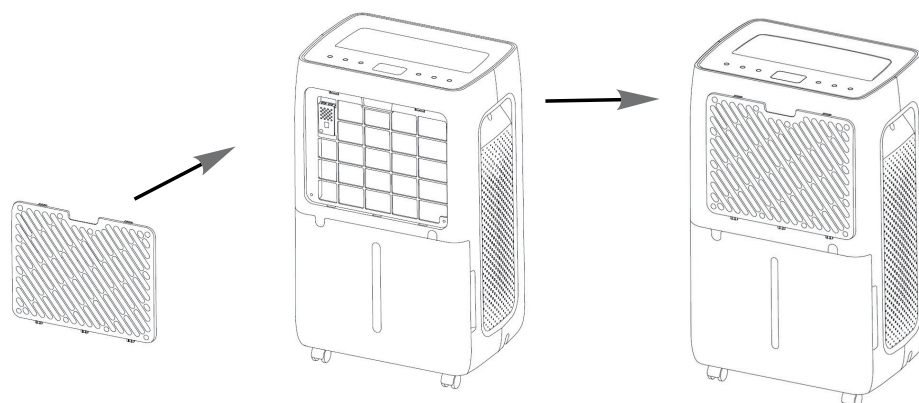
- a) Nehmen Sie die Filterabdeckung ab und entfernen Sie den Filter.



- b) Saugen Sie den Staub auf der Filteroberfläche vorsichtig mit einem Staubsauger auf. Weichen Sie das Sieb in etwa 40 Grad Celsius warmem Wasser ein. Wenn der Filter stark verschmutzt ist, waschen Sie ihn mit Wasser und einem milden Reinigungsmittel und trocknen Sie ihn anschließend gründlich ab.



- c) Setzen Sie den Filter wieder an seinen ursprünglichen Platz ein, der sich auf der Rückseite des Geräts befindet.



7.FEHLERBEHEBUNG

A. BETRIEBSTEMPERATUR

5°C ≤ Umgebungstemperatur ≤ 38°C Wenn die Umgebungstemperatur niedriger oder höher als die Betriebstemperatur ist, stoppt der Luftentfeuchter.

Wenn 5°C ≤ Temp. der Umgebung ≤ 16°C, taut der Kompressor in bestimmten Intervallen automatisch ab; Während des Abtauens stoppt der Kompressor und der Lüfter läuft weiter.

B. BEVOR SIE SICH AN DIE SERVICEWERKSTATT WENDEN

Konsultieren Sie die Liste der möglichen Probleme, die während des Betriebs des Geräts auftreten können und die nicht auf einen Arbeitsmangel oder Materialfehler zurückzuführen sind, bevor Sie sich an das Servicecenter wenden.

Problem	Mögliche Ursachen	Lösung
Das Gerät funktioniert nicht	Es gibt keine Stromzufuhr.	Schließen Sie das Gerät an eine Steckdose an und schalten Sie es ein.
	Die Anzeige "Water Full" (Tank voll) leuchtet.	Leeren Sie den Wasserbehälter und bauen Sie ihn wieder richtig ein.
	Raumtemperatur <5°C oder >38°C	Schutzsystem installiert, um das Gerät zu schützen. Das Gerät kann bei einer solchen Temperatur nicht betrieben werden.
Schadhafter Betrieb	Blockierter Luftfilter?	Reinigen Sie den Luftfilter wie es in dieser Bedienungsanleitung beschrieben wird.
	Ist die Einlass- oder Auslassöffnung blockiert?	Entfernen Sie alles, was die Einlass- oder Auslassöffnung blockiert.
Die Lufteinlassöffnung erlaubt es der Luft nicht durch	Filter blockiert?	Waschen Sie den Filter.
Das Gerät macht während des Betriebs Geräusche	Befindet sich das Gerät auf einer ebenen, waagerechten Fläche?	Stellen Sie das Gerät richtig auf..
	Filter blockiert?	Waschen Sie den Filter.

E1/E2	Problem mit dem Feuchtigkeitssensor	Tauschen Sie den Sensor aus
LO	Die Umgebungsfeuchtigkeit liegt unter 20 %	Der Luftentfeuchter schaltet sich ab zum Selbstschutz
HI	Die Umgebungsfeuchtigkeit liegt unter 20 %	
CL	Schutz vor niedrigen Temperaturen, Umgebungstemperatur <5 °C	
CH	Hochtemperaturschutz, die Umgebungstemperatur >38°C	

8. ENTSORGUNG

8.1 LAGERUNG DER EINHEIT

Langfristige Lagerung - Wenn Sie das Gerät für längere Zeit nicht verwenden (mehr als einige Wochen), empfehlen wir ihnen dieses zu reinigen und vollständig zu trocknen. Bitte lagern Sie das Gerät wie folgt:

- a) Drücken Sie den Netzschalter, um das Gerät auszuschalten und vom Stromnetz zu trennen.
- b) Lassen Sie das restliche Wasser aus dem Gerät ab
- c) Reinigen Sie den Filter und lassen Sie ihn an einem lichtfreien Ort vollständig trocknen.
- d) Wickeln Sie das Netzkabel ein.
- e) Setzen Sie den Filter wieder in die richtige Position ein.
- f) Das Gerät muss bei der Lagerung aufrecht stehen.
- g) Bewahren Sie den Luftentfeuchter in einem belüfteten, trockenen und brennstofffreien Raum auf.

VORSICHT: Der Verdampfer im inneren des Luftentfeuchters muss vor dem Verpacken trocken sein, um Schäden an den Bauteilen und das Auftreten von Schimmel zu vermeiden. Ziehen Sie den Netzstecker aus der Steckdose und stellen Sie das Gerät tagelang an einen trockenen Ort, um es gut zu trocknen. Eine andere Möglichkeit zum Trocknen des Geräts besteht darin, die Luftfeuchtigkeit auf 5% über der Umgebungsfeuchtigkeit einzustellen und den Lüfter zu zwingen, den Verdampfer mehrere Stunden lang zu trocknen.

8.2 ENTSORGUNG



WARNUNG!!! Die Freisetzung des Kältemittels in die Atmosphäre ist strengstens untersagt! Entsorgen Sie Elektrogeräte nicht als unsortierten Hausmüll, sondern verwenden Sie getrennte Sammelräume. Informationen zu den in der Region verfügbaren Sammelsystemen erhalten Sie von Ihrer örtlichen Verwaltungsbehörde. Wenn Elektrogeräte mit dem Hausmüll entsorgt werden, können gefährliche Stoffe in das Grundwasser gelangen und die Nahrungskette erreichen, was die Gesundheit und das Wohlbefinden der Menschen schädigt.

Für Turbionaire WEEE/Verpackung/Batterie in der EU

Bitte scannen Sie hier den QR-Code



Vielen Dank, dass Sie sich für Turbionaire entschieden haben!

Für fachkundige Beratung zu Ihren Turbionaire-Geräten, Hilfe oder Reparaturen kontaktieren Sie uns bitte unter www.turbionaire.com/warranty.

Weitere zusätzliche Details zu diesem Produkt:

- Information
- Technische Spezifikationen
- Energielabel

kann durch den Zugriff konsultiert werden www.turbionaire.com

Hersteller und Importeur:

SC Intax Trading SRL - Str. Ion Creanga nr. 14B, 075100, Otopeni, Ilfov, Romania.

Tel (+40) 318 246 246 Fax (+40) 214 203 151 office@intaxtrading.com

www.intaxtrading.com

SMART LIFE - BENUTZERHANDBUCH DER APP für SENSO N20

Die "Smart Life" App ist für Android und iOS verfügbar.

Scannen Sie mit Ihrem Smartphone den entsprechenden QR-Code, um direkt zum Download zu gelangen.



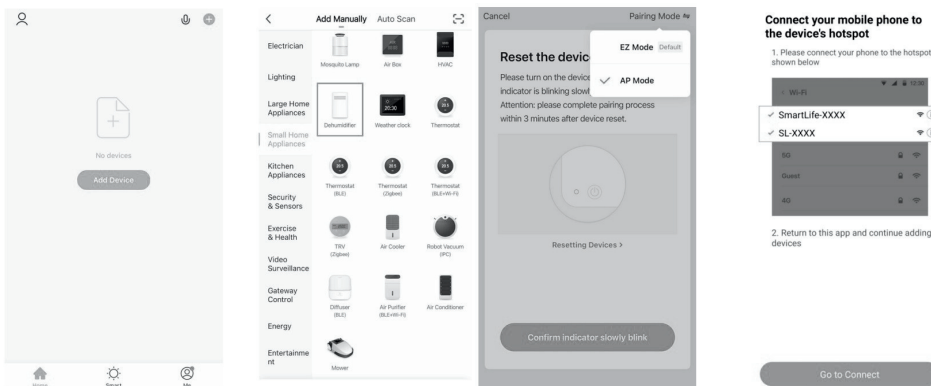
So verwenden Sie die App

Mit dieser Appliance können Sie die Appliance über Ihr WIFI-Heimnetzwerk bedienen. Voraussetzung ist eine permanente WIFI-Verbindung zu Ihrem Router und die kostenlose App „Smart Life“. Wir empfehlen, das Gerät von der Stromversorgung zu trennen, wenn Sie nicht zu Hause sind, um ein unbeabsichtigtes Einschalten unterwegs zu verhindern!

Inbetriebnahme über die App

1. Installieren Sie die „Smart Life“-App. Erstellen Sie ein Benutzerkonto.
2. Aktivieren Sie die WLAN-Funktion in den Einstellungen Ihres Geräts – berühren Sie die TIMER-Taste mindestens 5 Sekunden lang
3. Stellen Sie das Gerät in einem Abstand von ca. 5 Metern zu Ihrem Router auf.
4. Solange das Gerät eingeschaltet ist, blinkt die WLAN-Anzeige langsam. Nach 3 Minuten lautet der Status Der Vorgang wird abgebrochen, wenn keine Netzwerkkonfiguration vorliegt und die Anzeigeleuchte aus ist. Wenn Sie die WLAN-Verbindung erneut herstellen müssen, drücken Sie lange Halten Sie die „TIMER“-Taste 5 Sekunden lang gedrückt, um die Netzwerkkonfiguration zu starten. Die WIFI-Anzeige blinkt langsam.
5. Wenn die WLAN-Anzeige langsam blinkt, wählen Sie „Gerät hinzufügen“ – „Kleine Haushaltsgeräte“ – „Luftentfeuchter“ und Befolgen Sie die Anweisungen in der Smart Life-App. Wählen Sie oben rechts in der App „AP-Modus“ und dann „Anzeige bestätigen“.
6. Wenn die WLAN-Anzeige schnell blinkt, kann eine direkte Verbindung hergestellt werden.
7. Sobald das Gerät erfolgreich verbunden wurde, leuchtet die WLAN-Leuchte auf. Jetzt können Sie das bedienen Gerät über die App steuern.
8. Halten Sie die TIMER-Taste etwa 5 Sekunden lang gedrückt, das Gerät wird ausgeschaltet und die WLAN-Anzeige erlischt.

Alternative Verbindung über Bluetooth – Öffnen Sie das Bluetooth Ihres Mobiltelefons oder eines anderen Geräts. Wenn die WLAN-Anzeige blinkt, öffnen Sie die „Smart Life“-App. Das Gerät wird automatisch über Bluetooth verbunden



FEHLERBEHEBUNG

Netzwerkverbindung fehlgeschlagen	Lösung
Zeitüberschreitung bei der Netzwerkverbindung	<ol style="list-style-type: none"> 1. Überprüfen Sie, ob Sie das WIFI mit dem Namen „SmartLife-XXXX“ auswählen. 2. Schalten Sie das Gerät aus und ziehen Sie nach 10 Sekunden den Netzcode und das Plug-In ab. Rufen Sie die App auf, um erneut eine Verbindung herzustellen.
WIFI-Anzeige aus	Drücken Sie lange die Taste „Timer“ oder schalten Sie das Gerät aus und ziehen Sie nach 10 Sekunden den Netzcode und das Plug-In heraus.
Der WIFI-Hotspot verschwindet und die WIFI-Anzeige blinkt	Schalten Sie das Gerät aus und ziehen Sie den Netzcode und das Plugin nach 10 Sekunden ab. Rufen Sie die App auf, um erneut eine Verbindung herzustellen.

ES: CONTENIDO

1.	NOCIONES PRELIMINARES	55
2.	INSTRUCCIONES DE SEGURIDAD	56
3.	PRESENTACIÓN DEL PRODUCTO	60
4.	INSTALACIÓN	64
5.	FUNCIONAMIENTO	63
6.	MANTENIMIENTO	67
7.	SOLUCIONAR LOS PROBLEMAS	68
8.	ELIMINACIÓN	69
9.	SMART LIFE APP - manual de usuario	74

Gracias por elegir nuestro deshumidificador.

Asegúrese de leer este manual detenidamente antes de utilizar el deshumidificador.

Por favor lea atentamente este manual para referencias futuras!

1.NOCIONES PRELIMINARES

Por favor lea con atención el manual de utilización antes de poner en función el deshumidificador por primera vez.

A. DESCRIPCIÓN DEL PRODUCTO

El deshumidificador se utiliza para eliminar el exceso de humedad del aire. La reducción de los niveles de humedad protege los edificios y objetos que se encuentran dentro de ellos de los efectos adversos de la humedad.

El producto R290 es ecológico y se utiliza como refrigerante. R290 no tiene ninguna influencia negativa sobre la capa de ozono (ODP) o efecto invernadero (GWP) y está disponible en todo el mundo. Debido a sus propiedades energéticas eficientes, R290 es muy adecuado como refrigerante en la situación dada. Sin embargo, precauciones especiales se deben tener en cuenta debido al alto nivel de inflamabilidad del refrigerante.

B. SÍMBOLOS UTILIZADOS EN LA UNIDAD Y EN EL MANUAL



Advertencia!

Este dispositivo utiliza refrigerante.

Si el refrigerante drena y entra en contacto con una fuente de llama o calentamiento, creará gases nocivos y existe el riesgo de incendio.



Lea atentamente el manual de instrucciones antes de utilización.



Encontrará información adicional en el MANUAL DE UTILIZACIÓN y en el MANUAL DE SERVICIO.



Antes de poner el dispositivo en funcionamiento, las personas que efectúan las operaciones de servicio deben leer atentamente el MANUAL DE UTILIZACIÓN y el MANUAL DE SERVICIO.

C.SIEMPRE PRESTE ATENCIÓN A LA SIGUIENTE INFORMACIÓN

- Este dispositivo está destinado tanto a usuarios expertos o capacitados en tiendas, industria ligera y granjas, como también a usuarios domésticos.
- Este dispositivo puede ser utilizado por niños mayores de 8 años y personas con capacidades físicas, sensoriales o mentales reducidas o falta de experiencia y conocimientos, siempre que estén bajo la supervisión de personas adultas responsables por su seguridad o cuando reciben instrucciones acerca de cómo se debe utilizar la unidad.
- Este dispositivo no es un juguete. Los niños menores de tres años deben ser supervisados continuamente y mantenidos alejados de éste.
- La limpieza y el mantenimiento del dispositivo no deben ser realizados por niños.
- La unidad está diseñada únicamente para ser utilizada con gas R290 (propano) como refrigerante designado.
- El circuito de refrigeración está sellado. Sólo las personas cualificadas pueden realizar reparaciones en el circuito de refrigeración.
- No descargue el refrigerante en la atmósfera.
- R290 (propano) es inflamable y pesa más que el aire.
- R290 se puede identificar al nivel del suelo, pero también puede ser distribuido por un ventilador.
- Si sospecha la presencia de gas propano, no permita que personas no calificadas intenten reparar la planta.
- El gas propano utilizado en la planta de este dispositivo es inodoro.
- La falta de olor no indica la falta de gases evacuados.
- Si se detecta una fuga, evacúe inmediatamente a todas las personas de la zona, ventile la habitación y póngase en contacto con los bomberos para notificarles de la fuga de propano.
- No permita que nadie regrese a la habitación antes de que llegue el técnico y antes de tener su recomendación acerca de la seguridad de volver a la zona afectada.
- No se debe utilizar llamas abiertas, cigarrillos u otras posibles fuentes de ignición en el interior o en las proximidades del dispositivo.
- Los componentes están diseñados específicamente para ser utilizados con gas propano. Los componentes se sustituyen únicamente por piezas de repuesto idénticas.

NO RESPETAR LAS INSTRUCCIONES DE SEGURIDAD PUEDE AUMENTAR EL RIESGO DE EXPLOSIONES, MUERTE, LESIONES Y DAÑOS MATERIALES.



¡Advertencia!



2. INSTRUCCIONES DE SEGURIDAD

Su seguridad es lo más importante para nosotros



Lea atentamente este manual antes de usar el deshumidificador.

A. ADVERTENCIAS SOBRE EL FUNCIONAMIENTO DEL DISPOSITIVO

Advertencias: sobre el riesgo de incendio, electrochoques, lesiones a personas o daños materiales.

- Si el cable de alimentación está dañado, debe ser reemplazado por el fabricante, su agente de servicio o por personas calificadas para evitar un peligro.
- El nivel de presión acústica ponderada A está por debajo de 36 dB.
- Durante las operaciones de mantenimiento, debe desconectar el dispositivo de la fuente de alimentación.
- Conecte siempre el dispositivo a una fuente de alimentación, frecuencia y potencia correspondientes a las indicadas en la placa de identificación del producto.
- Utilice siempre un enchufe con toma de tierra.
- Desconecte el cable de alimentación cuando limpie el dispositivo o cuando no esté en uso.
- No utilice el dispositivo con las manos mojadas. No deje que el agua se derrame sobre la unidad.
- No sumerja el dispositivo en agua ni lo exponga a lluvia, humedad o cualquier otra fuente líquida.
- No deje el dispositivo desatendido cuando funcione. No lo incline ni lo ponga boca abajo.
- No desconecte el dispositivo durante el funcionamiento.
- No desconecte arrastrando el cable de alimentación.
- No utilice un cable de extensión ni un adaptador.
- No coloque objetos sobre el dispositivo.
- No suba ni se sienta sobre el dispositivo.
- No inserte los dedos u otros objetos en la salida de aire.
- No toque la salida de aire ni las rajadas de aluminio del dispositivo.
- No utilice el dispositivo si ha caído, está dañado o muestra signos de mal funcionamiento.
- No limpie el dispositivo con productos químicos.
- Asegúrese de que el dispositivo esté alejado del fuego, de objetos inflamables o explosivos.
- El dispositivo debe ser instalado de acuerdo con la normativa nacional acerca de los sistemas de cableado.
- No utilice otros medios para acelerar el proceso de descongelación o limpieza que no sean los recomendados por el fabricante.
- El dispositivo debe almacenarse en una habitación sin dispositivos que funcionen continuamente (por ejemplo: llama abierta, dispositivo de gas o calentador eléctrico).
- El dispositivo debe almacenarse de manera que se evite su deterioro.
- No desmonte ni deseche el dispositivo en fuego, incluso después de su uso.
- Tenga en cuenta que los agentes de refrigeración son inodoros.
- Las tuberías del dispositivo se deben proteger en contra de daños físicos y no deben ser instalados en un espacio no ventilado si este espacio es inferior a 4m².
- Respete la normativa nacional sobre los gases.

- Mantenga los conductos de ventilación libres de obstáculos.
- El dispositivo se debe almacenar en una zona bien ventilada en la que el tamaño de la habitación corresponda a las condiciones especificadas para un funcionamiento adecuado



Toda persona que trabaje con un circuito de refrigeración deberá poseer un certificado válido expedido por una autoridad de evaluación acreditada en el campo que autorice su competencia para manipular los refrigerantes en condiciones seguras, de acuerdo con las especificaciones reconocidas en esa industria.

Las reparaciones de la instalación deben llevarse a cabo únicamente de acuerdo con las recomendaciones del fabricante. El mantenimiento y las reparaciones requieren la asistencia de personal cualificado y se llevarán a cabo bajo la supervisión de una persona competente en el uso de refrigerantes inflamables. Si hay algunos aspectos que no entienda o si necesita ayuda, póngase en contacto con los servicios del distribuidor autorizado.

B. PRECAUCIONES DE SEGURIDAD EN REPARACIONES

Tenga en cuenta estas advertencias antes de realizar operaciones de mantenimiento en un deshumidificador con R290.

i. Controles en la proximidad del dispositivo

Prior to beginning work on systems containing flammable refrigerants, safety checks are necessary to ensure that the risk of ignition is minimized. For repair to the refrigerating system, the following precautions shall be complied with prior to conducting work on the system.

ii. Procedimiento de trabajo

Los trabajos se llevarán a cabo con arreglo a un procedimiento controlado para minimizar el riesgo de aparición de gas o vapores inflamables durante el trabajo.

iii. Zona de trabajo

Todo el personal de mantenimiento y otras personas que trabajan en la proximidad deben estar capacitados sobre la naturaleza del trabajo realizado. Se evitará el trabajo en espacios cerrados. Se demarca la zona del espacio de trabajo. Asegúrese de que los espacios de la zona han sido asegurados mediante el control de materiales inflamables.

iv. COMPROBAR LA PRESENCIA DEL REFRIGERANTE

La zona debe ser revisada con un detector de refrigerantes adecuado antes y durante el trabajo para garantizar la presencia de materiales potencialmente inflamables. Asegúrese de que el equipo de detección de fugas utilizado es adecuado para identificar los refrigerantes inflamables, que no produce chispas y está debidamente sellado.

v. PRESENCIA DEL EXTINTOR DE INCENDIOS

Cuando se realicen trabajos en caliente en el equipo de refrigeración o en cualquier pieza asociada a éste, hay que tener disponible un equipo adecuado de extinción de incendios. Asegúrese de tener en proximidad extintores a base de polvo seco o de CO₂.

vi. Sin fuentes de ignición

Ninguna persona que realice obras dentro de un sistema de refrigeración y que implique la exposición a un refrigerante inflamable no utilizará fuentes de ignición de manera que se evite el riesgo de incendio o explosión. Todas las posibles fuentes de ignición, incluido fumar, se deben mantener lo suficientemente alejadas del lugar de instalación, reparación, desmontaje y eliminación, donde se pueda liberar el refrigerante inflamable. Antes de realizar las obras, se debe comprobar la zona alrededor de la instalación para asegurarse de que no hay productos inflamables o riesgos de ignición. Se utilizará la placa "Prohibido fumar".

vii. Zona ventilada

Asegúrese de que la zona de trabajo esté bien ventilada antes de comenzar a trabajar en la instalación o realizar trabajos en caliente. La ventilación debe dispersar de forma segura cualquier refrigerante emanado y, preferiblemente, expulsarlo externamente en la atmósfera.

viii. Controles en la instalación con refrigerante

Si se cambian los componentes eléctricos, éstos deben ser adecuados al propósito y seguir las especificaciones correctas. Las instrucciones del fabricante sobre las operaciones de mantenimiento y servicio deben seguirse a toda hora. En caso de duda, consulte al departamento técnico del fabricante para asistencia.

Los siguientes controles se aplicarán a las instalaciones que utilicen refrigerantes inflamables:

- El tamaño de la carga es coherente con el tamaño de la habitación en la que se instalan los componentes que contienen el refrigerante;
- Los dispositivos y los conductos de ventilación funcionan correctamente y no están obstruidos;
- Cuando se utilice un circuito indirecto de refrigeración, se deberá comprobar la presencia del refrigerante en el circuito secundario;
- Las marcas del equipo de trabajo serán visibles y legibles. Cualquier marca y signo que sea ilegible será corregido;
- la planta que contiene el refrigerante o sus componentes se colocará de tal manera que no puedan exponerse a ninguna sustancia corrosiva, a menos que los componentes están hechos de materiales que son inherentemente resistentes a corrosión o están adecuadamente protegidos.

ix. Controles de los dispositivos eléctricos

La reparación y el mantenimiento de los componentes eléctricos incluirán controles de seguridad iniciales y procedimientos de inspección de los componentes. Si hay un mal

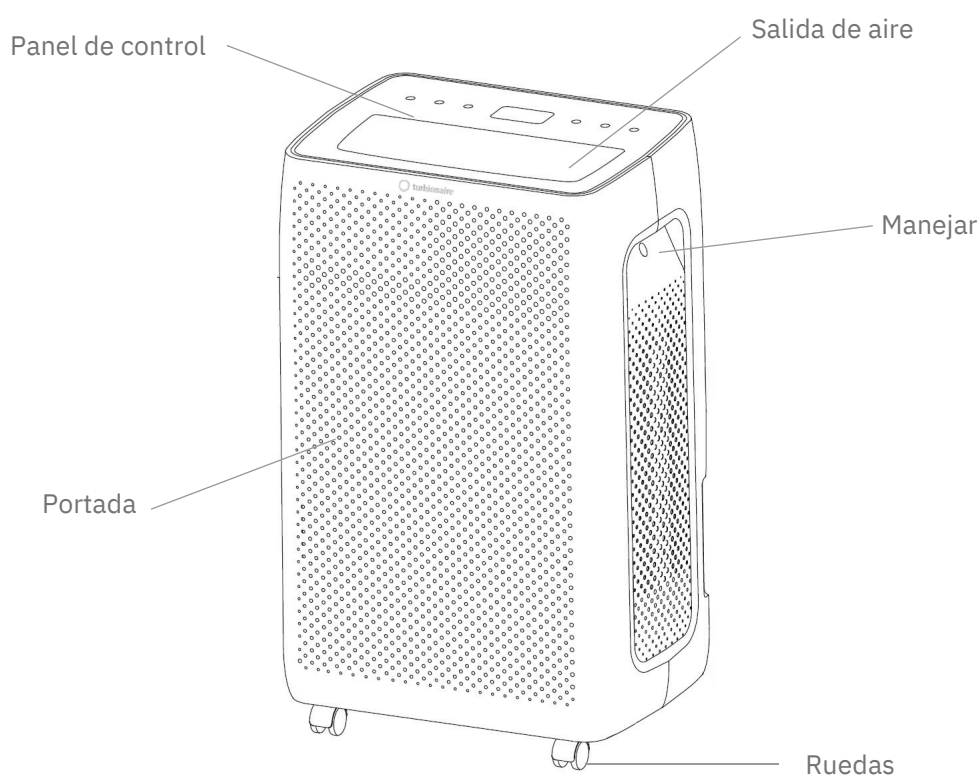
funcionamiento que podría comprometer la seguridad, el dispositivo no se conectará a corriente hasta que el defecto se resuelva satisfactoriamente. Si el defecto no se puede corregir inmediatamente, pero es necesario continuar el funcionamiento, se utilizará una solución temporal adecuada. El propietario del equipo será informado de esto para que todas las partes tomen cuenta de esta situación.

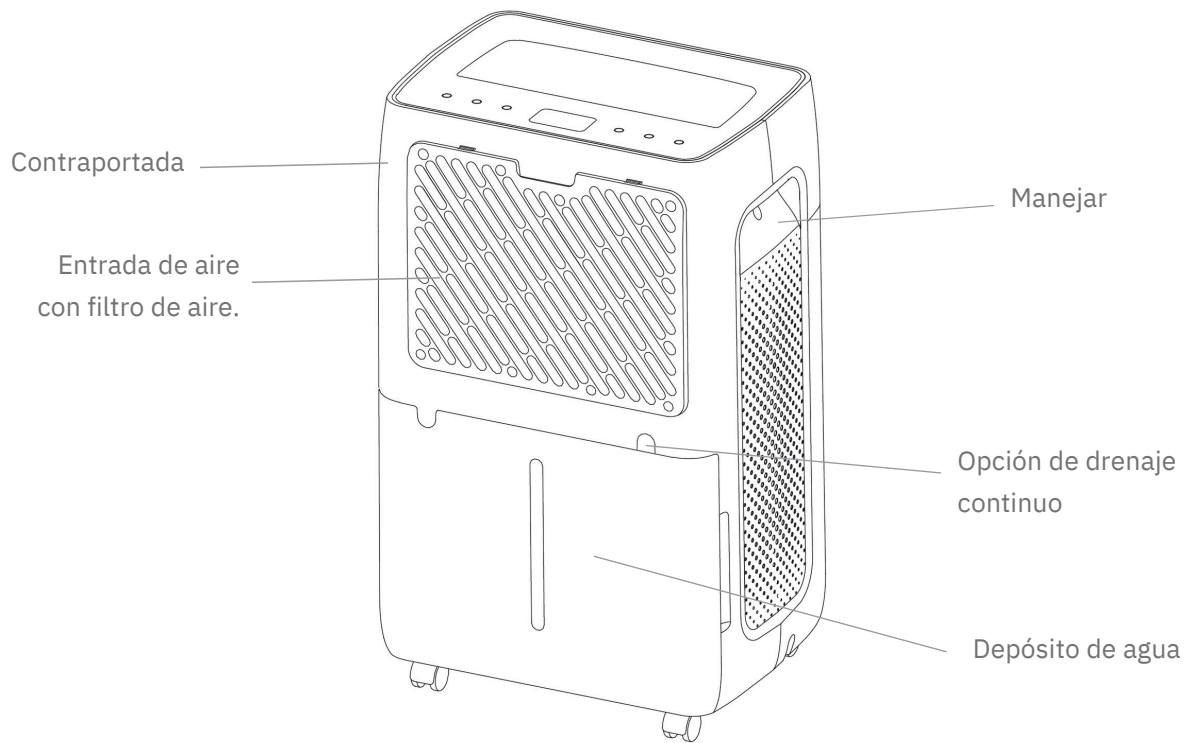
Los controles de seguridad iniciales se llevarán a cabo cuando:

- los condensadores estén descargados: esto debe hacerse de forma segura para evitar que surjan chispas;
- los componentes y cables eléctricos no están bajo tensión y durante la carga, recuperación o drenaje del sistema;
- hay una continuidad de la puesta a tierra

3.PRESENTACIÓN DEL PRODUCTO

A.VISTA FRONTAL Y TRASERA





B. CARACTERÍSTICAS

- Función de giro automático
- Monitoreo y visualización de la humedad actual.
- El modo automático ajusta automáticamente los niveles de humedad
- Temporizador de 24 horas para configurar el tiempo de funcionamiento.
- Elimina la humedad y el polvo del aire.
- Bajo consumo de energía y eficiencia energética.
- Ventilador silencioso con dos configuraciones de velocidad.
- Descongelación automática a baja temperatura
- Apagado automático/reinicio automático
- Potente eliminación de la humedad
- Control de App vía WIFI (para modelos equipados con esta función)
- Control táctil
- Función de secado de ropa (modo continuo)
- Filtro de polvo
- Drenaje continuo
- Tanque de agua de 4.5L

C.ESPECIFICACIONES TÉCNICAS

MODELO	SENSO N20
Capacidad de deshumidificación	20 L/Dia (30°C, 80%)
Podor	AC220-240V/50Hz
Consumo	330W/ 2,3A
Noise	≤41dB(A)
Nivel del ruido	4,5 L
Peso neto	13.5 Kg
Mínimo de la habitación	4 m ² (superficie del suelo)

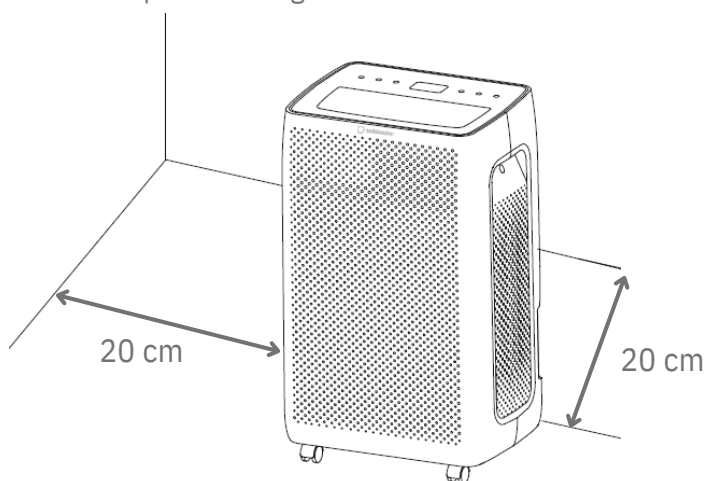
4. INSTALACIÓN

A.UBICACIÓN DEL DESHUMIDIFICADOR

Coloque la unidad sobre una superficie plana y estable y mantenga al menos 30 cm de espacio libre a su alrededor para permitir una circulación de aire adecuada.

Nunca instale la unidad:

- Cerca de fuentes de calor como calefactores, radiadores, estufas u otros dispositivos que producen calor.
- En una zona donde se puede salpicar aceite o agua
- En la luz directa del sol
- En una zona con vibraciones o choques mecánicos
- En una zona con exceso de polvo
- En una zona no ventilada, como el armario o la biblioteca
- En una superficie desigual





ATENCIÓN

Instale la unidad en habitaciones superiores a 4 m².
No instale la unidad en un lugar donde pueda haber fugas de gas inflamable.



NOTA

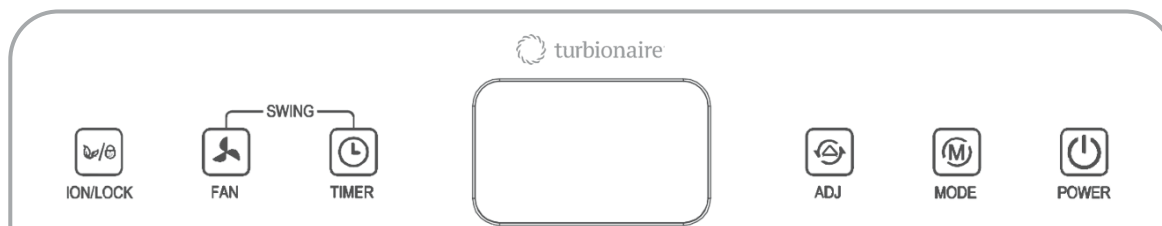
El fabricante puede proporcionar otro ejemplo apropiado o proporcionar información adicional sobre el olor del refrigerante.

B.USO SEGURO DEL DISPOSITIVO

- Después de desempacar, compruebe si hay daños o arañazos en la unidad.
- Utilice esta unidad a una temperatura ambiental entre 5 ° C y 38 ° C.
- No utilice el deshumidificador en el exterior. Este deshumidificador está diseñado únicamente para ser utilizado en espacios residenciales.
- No utilice el deshumidificador cerca de paredes, cortinas u otros objetos que puedan bloquear la entrada y evacuación del aire.
- Mantenga libres de obstáculos los orificios de admisión y evacuación del aire.
- Si se inclinó en un ángulo superior a 45°, deje que la unidad se ponga en posición vertical durante al menos 24 horas antes de arrancar.
- Mantenga las puertas y las ventanas cerradas para una mejor eficiencia del deshumidificador.
- No utilice ni almacene la unidad bajo la luz solar directa o bajo la lluvia.
- Es normal que la salida de aire se caliente después de un funcionamiento continuo en días cálidos.
- Vacíe el depósito de agua antes de mover el deshumidificador.
- Asegúrese de que el tanque de agua esté montado correctamente, de lo contrario la unidad no funciona adecuadamente.
- El deshumidificador arranca en el modo seleccionado durante el último uso.
- El deshumidificador comienza a deshumidificar el aire en la habitación si la humedad es 3% mayor que el valor seleccionado.
- El compresor está equipado con un sistema de protección que retrasa el arranque por 3 minutos. Por lo tanto, tendrá que esperar por 3 minutos para que el deshumidificador reanude el proceso de deshumidificación.

5. FUNCIONAMIENTO

Panel de control



Botón de ENCENDIDO: toque este botón para encender o apagar la unidad.

Botón MODE: toque este botón para elegir el modo Automático, Inactivo o Deshumidificación continua.

Botón ADJ: toque este botón para ajustar el nivel de humedad y elegir la hora del temporizador.

Botón TIMER: toque este botón para establecer una hora para que la unidad se inicie o se detenga automáticamente.

Para activar WiFi (para modelos equipados con esta función), toque el botón TIMER durante al menos 5 segundos. El indicador WiFi en la pantalla comenzará a parpadear.

Botón VELOCIDAD del ventilador: toque este botón para seleccionar la velocidad del ventilador entre alta y baja.

Botón ION/LOCK (para modelos no equipados con función de ionización): toque este botón para activar o desactivar la función de purificación de aire del ionizador. Toque prolongadamente este botón para activar o desactivar la función de bloqueo para niños.

SWING: presione los botones TIMER y FAN juntos para iniciar la función Swing.

Pantalla: muestra el valor de humedad, la configuración del temporizador, la temperatura y otra información.



Botón de ENCENDIDO: en espera, toque el botón de Encendido para encender el deshumidificador, la operación

El indicador se ilumina y la velocidad predeterminada del ventilador es alta y la humedad predeterminada es 50%. En el estado de encendido, presione el botón de encendido para apagar, la luz indicadora de funcionamiento se apaga y el compresor se detiene inmediatamente, y luego el ventilador se apaga después de un retraso de 30 segundos.



Botón MODO: toque la tecla Modo para cambiar entre el modo Automático, Inactivo y Deshumidificación continua.

- **Modo automático:** cuando la humedad ambiental \geq establece la humedad en 3%, el ventilador comienza a funcionar y El compresor comienza a funcionar después de 3 segundos. Cuando la humedad ambiental \leq humedad establecida 3%, el compresor deja de funcionar y el ventilador deja de funcionar después de un retraso de 30 segundos.

Toque el botón ADJ para ajustar el nivel de humedad del 30% al 80% en modo automático. Tanto la velocidad del ventilador como la humedad se pueden ajustar en el modo automático.


- **Modo de deshumidificación continua:** la unidad continúa funcionando a alta velocidad, la velocidad del ventilador se puede ajustar. ajustada, la humedad no se puede ajustar.

- **Modo de suspensión:** toque el botón Suspend, el botón se ilumina e inicia la función de suspensión, predeterminada la humedad es del 60%. Si el panel de control no se opera dentro de 10 segundos, todos los indicadores se oscurecen gradualmente y la velocidad del ventilador cambia automáticamente de alta a baja. Toque el botón SLEEP nuevamente para salir del modo de suspensión. Tanto la velocidad del ventilador como la humedad se pueden ajustar en el modo de suspensión. Toque el botón MODE nuevamente para salir del modo SLEEP.



Botón TEMPORIZADOR

Toque el botón TIMER para configurar la función de temporización de 00 a 24 horas.

El panel de visualización "88" parpadea y mostrará la hora del temporizador. Toque el botón ADJ  y el valor aumentará. 1 hora, el valor mostrado en la pantalla.

En el estado de funcionamiento, utilice la función de temporizador para apagar la máquina regularmente.

En estado de espera, utilice la función de temporizador para encender la máquina con regularidad.

Establezca la hora en "00" para cancelar la función de sincronización.

Toque prolongadamente el botón TIMER durante 5 segundos para activar la función wifi; consulte las instrucciones de wifi en las últimas páginas (para los modelos equipados con esta función).



FAN

Botón VELOCIDAD DEL VENTILADOR - ciclo de velocidad alta/baja del ventilador. Toque el botón una vez para cambiar y luego se ilumina el indicador correspondiente. En el modo de secado continuo y en el período de descongelación, la velocidad del ventilador no se puede cambiar.



FAN

SWING



TIMER

Modo SWING - toque el botón FAN y TIMER al mismo tiempo para iniciar la función de oscilación automática, presione nuevamente para detener la función de oscilación.



ION/LOCK

Botón ION/ LOCK - toque este botón para activar o desactivar la función de purificación de aire del ionizador. Mantenga presionado este botón para activar o desactivar la función de bloqueo para niños.

Alarma de tanque de agua lleno

Indicador del tanque de agua - cuando el tanque está lleno durante 5 segundos, activa la alarma. El indicador del tanque de agua se vuelve rojo y la unidad emite un zumbido 5 veces.

Borrar la alarma: cuando el zumbido esté activado, toque cualquier botón para detenerlo. El ventilador del compresor se apaga y todas las funciones se congelan hasta que el tanque se vacía y vuelve a la posición correcta.

A. Drenaje

Hay dos formas de eliminar el agua acumulada producida por la unidad.

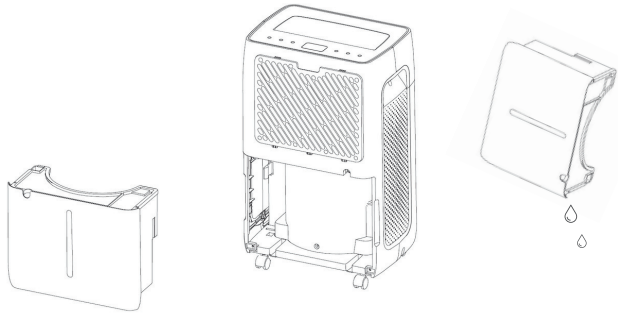
- Vaciado manual: el depósito de agua se retira manualmente.
- Drenaje continuo: conecte una manguera de drenaje a la unidad para que el agua condensada se drene por gravedad.

B. Vaciado del depósito de agua

La unidad se apagará una vez que el tanque de agua esté lleno. Funcionará nuevamente una vez que haya vaciado el tanque de agua y lo haya reinstalado correctamente. Cuando el tanque esté lleno, la unidad emitirá un zumbido y se encenderá el LED "Agua llena".

- Toque el botón POWER para apagar la unidad.
- Tire del tanque de agua y deslícelo fuera del cuerpo del deshumidificador.
- Vaciar el agua en una zona con desagüe o al aire libre.
- Limpiar el interior del depósito, si es necesario, así como el exterior.
- Vuelva a colocar el tanque vacío en la unidad.
- Presione el botón ENCENDIDO para reiniciar la unidad.

- Si el LED “Agua llena” todavía está encendido, verifique si el flotador del tanque de agua está colocado correctamente y libre de bloqueos.
- Si la luz de Agua Llena no se apaga, verifique que el flotador esté en su lugar correctamente.



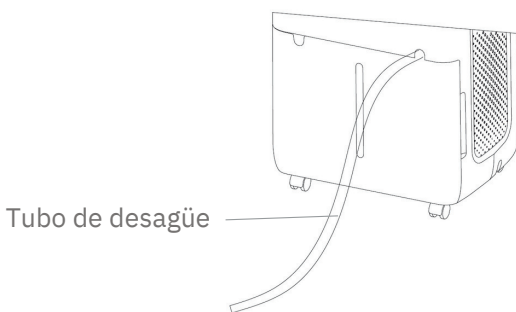
Advertencia

1. No deseche los imanes del tanque de agua ni los remaches de plástico. De lo contrario, la unidad no dejará de funcionar automáticamente cuando el tanque de agua esté lleno y el agua condensada se desbordará y dañará el suelo de la habitación. Asegúrese de limpiar el agua condensada en el tanque de agua antes de restablecer el modo de funcionamiento de la máquina.
2. Si el tanque de agua está sucio, enjuáguelo con agua limpia. Evite el uso de detergentes, bolas de acero, quitapolvos químicos, gasóleo, benceno, diluyentes u otros disolventes. De lo contrario, el tanque de agua se dañará y tendrá fugas.
3. Vuelva a colocar el tanque vacío en la unidad. De lo contrario, el indicador de agua llena puede permanecer rojo y la unidad no puede reiniciarse.

C.Drenaje continuo

Para un funcionamiento continuo o deshumidificación desatendida, conecte la manguera de drenaje a la unidad. El agua condensada se drenará libremente, gravitacionalmente, en un cubo o en un drenaje.

- Coloque la unidad sobre una superficie horizontal y estable.
- Apague la unidad antes de drenar el agua



Para evitar fugas de agua:

- Dado que la presión negativa del recipiente de drenaje del agua condensado es alta, incline la manguera de drenaje, abajo, hacia el suelo. Es necesario que el ángulo de inclinación supere 20°.
- Enderece la manguera para evitar doblarla.

6. MANTENIMIENTO

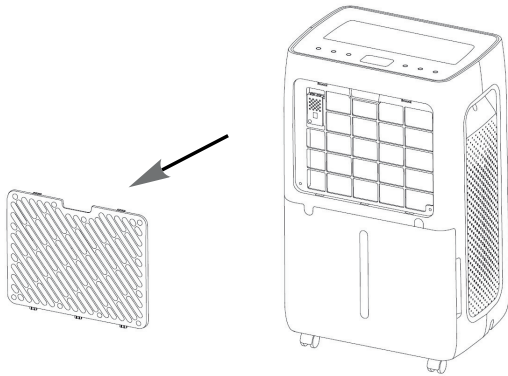
Note: before cleaning and maintaining the machine, be sure to turn off the machine and pull the power plug to prevent electric shock.

LIMPIAR EL FILTRO DE AIRE

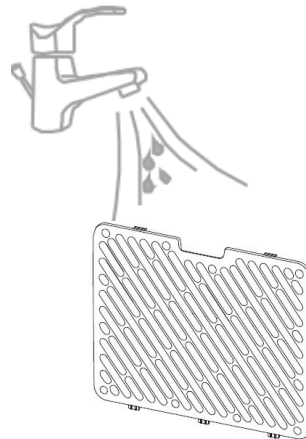
Limpie el filtro al menos una vez cada dos semanas o cuando sea necesario. Las impurezas acumuladas en un filtro sin limpiar pueden ser absorbidas por el ventilador mediante la fijación en el vaporizador, en el condensar y en otros componentes dentro de la unidad, lo que conduce a una disminución en el rendimiento y la ocurrencia de diversas fallas que no son, en este caso, no se sujetan a la garantía.

Si se encuentran depósitos de impurezas dentro de la unidad, póngase en contacto con el servicio autorizado más cercano para una limpieza profesional. No realice operaciones de limpieza interna (excepto limpiar y lavar el filtro lavable) salvo en presencia de personal especializado.

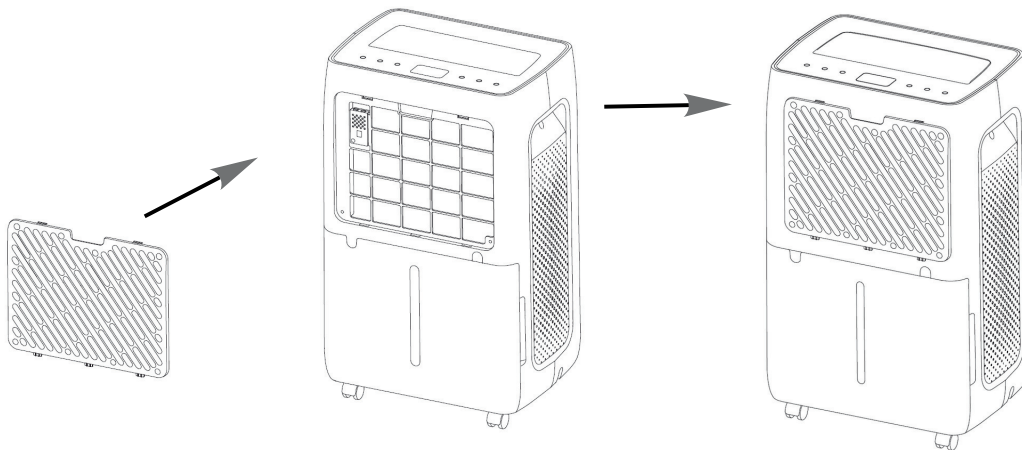
a) Quite la rejilla del filtro y quite el filtro.



b) Use una aspiradora para absorber suavemente el polvo en la superficie del filtro. Remoje el colador en agua tibia a unos 40 grados centígrados. Si el filtro está muy sucio, lávelo con agua y un detergente suave y séquelo bien después.



c) Reemplace el filtro en su lugar detrás del dispositivo.



7. SOLUCIONAR LOS PROBLEMAS

A. TEMPERATURA DE FUNCIONAMIENTO

5°C ≤ Temp. ambiental ≤ 38°C Cuando la temperatura ambiental es menor o superior a la temperatura de funcionamiento, el deshumidificador se apaga.

Cuando 5°C ≤ Temp. ambiental. ≤ 16°C, el compresor se descongela automáticamente a ciertos intervalos; durante la descongelación, el compresor se apaga y el ventilador sigue funcionando.

B. ANTES DE SOLICITAR EL SERVICIO

Antes de ponerse en contacto con el centro de servicio, consulte la lista de posibles problemas que pueden producirse durante el funcionamiento de la unidad y que no son el resultado de un defecto de labor manual o de los materiales utilizados.

Problema	Causas posibles	Solución
No funciona	Sin fuente de alimentación	Conéctelo a una toma de corriente que funcione y enciéndalo.
	La indicación de agua llena parpadea	Drene el tanque de agua y vuelva a colocarlo en la unidad.
	Temperatura ambiente <5°C o >38°C	Autoprotección diseñada para proteger la unidad. No se puede trabajar a esa temperatura.
Mal funcionamiento	¿Está obstruido el filtro de aire?	Limpie el filtro de aire según las instrucciones.
	¿Está obstruido el conducto de entrada o el conducto de descarga?	Retire la obstrucción del conducto de descarga o del conducto de entrada.
No hay entrada de aire.	¿Está obstruido el filtro de aire?	Lavar el filtro
Ruido fuerte al correr.	¿Está la unidad colocada sobre una superficie horizontal y plana?	Coloque la unidad correctamente
	¿Está obstruido el filtro de aire?	Lavar el filtro

E1/E2	Problema del sensor de humedad	Cambiar el sensor
LO	La humedad ambiental está por debajo del 20%.	El deshumidificador se apaga para autoprotección
HI	La humedad ambiental es superior al 90%.	
CL	Protección a baja temperatura, temperatura ambiental <5°C	
CH	Protección contra altas temperaturas, la temperatura ambiental >38°C	

8. ELIMINACIÓN

8.1 ALMACENAMIENTO DE LA UNIDAD

Almacenamiento a largo plazo - Si no va a utilizar la unidad durante mucho tiempo (más de unas semanas), le recomendamos que la limpie y seque por completo. Guarde la unidad siguiendo estos pasos:

- a) Pulse el botón de alimentación para apagar la unidad y desconectarla de la tomade corriente.
- b) Escurra el agua restante en la unidad
- c) Limpie el filtro y déjelo secar completamente en una zona sin luz.
- d) Envuelva el cable de alimentación.
- e) Vuelva a instalar el filtro en la posición correcta.
- f) La unidad debe mantenerse en posición vertical cuando se almacena.
- g) Mantenga el deshumidificador en una habitación ventilada, seca, sin combustibles.

ATENCIÓN: El evaporador dentro del deshumidificador debe secarse antes de su embalaje para evitar dañar los componentes y la apariencia de moho. Desconecte la unidad y colóquela en un espacio abierto y seco durante días para que se seque a fondo. Otra forma de secar la unidad es ajustar el nivel de humedad a 5% por encima de la humedad ambiental, para forzar el ventilador a secar el evaporador durante varias horas.

8.2 ELIMINACIÓN



¡ADVERTENCIA!

Está estrictamente prohibido dejar que el refrigerante emane en la atmósfera! No deseche los dispositivos eléctricos como residuos municipales no clasificados, y utilice los espacios de recogida separados. Póngase en contacto con su administración local para obtener información sobre los sistemas de recolección disponibles en la zona. Si los dispositivos eléctricos se descartan junto con la basura doméstica, las sustancias peligrosas pueden infiltrarse en las aguas subterráneas y pueden llegar en la cadena alimenticia, dañando la salud y el bienestar de las personas.

Para Turbionaire WEEE/ Embalaje/ Batería en UE

Por favor escanea aquí el código QR



¡Gracias por elegir Turbionaire!

Para obtener asesoramiento experto sobre sus electrodomésticos Turbionaire, ayuda o reparaciones, póngase en contacto con nosotros en www.turbionaire.com/warranty

Otros detalles adicionales sobre este producto:

- Información
- Especificaciones técnicas
- Etiqueta energética

puede consultarse accediendo www.turbionaire.com

Fabricante e importador:

SC Intax Trading SRL - Str. Ion Creanga no. 14B, 075100, Otopeni, Ilfov, Rumania.

Tel (+40) 318 246 246 Fax (+40) 214 203 151 office@intaxtrading.com

www.intaxtrading.com

SMART LIFE - MANUAL DE USUARIO DE LA APLICACIÓN de SENSO N20

La aplicación "Smart Life" está disponible para Android e iOS.

Escanea con tu smartphone el código QR correspondiente para acceder directamente a la descarga.



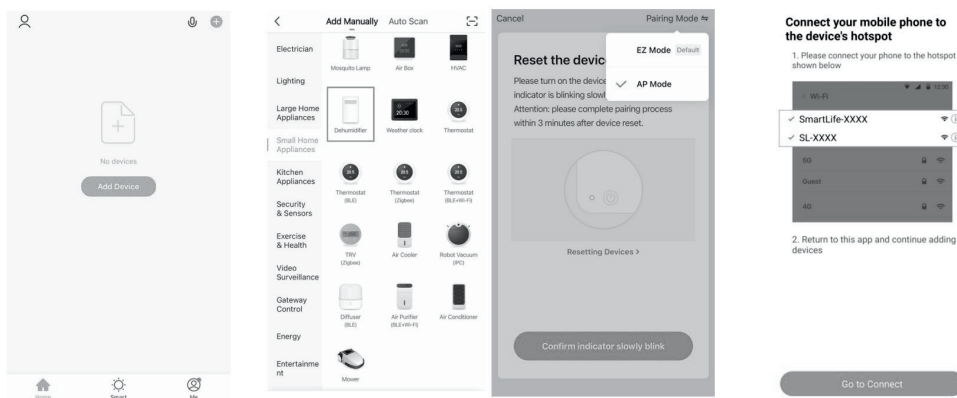
Cómo usar la aplicación

Este aparato le permite operar el aparato a través de su red doméstica WIFI. Un requisito previo es una conexión WIFI permanente a su enrutador y la aplicación gratuita "Smart Life". Recomendamos desconectar el aparato de la fuente de alimentación cuando esté fuera de casa para evitar un encendido involuntario mientras está de viaje.

Puesta en servicio a través de la aplicación

1. Instale la aplicación "Vida inteligente". Cree una cuenta de usuario.
2. Active la función WIFI en la configuración de su electrodoméstico: toque el botón TIMER durante al menos 5 segundos
3. Coloque el aparato a una distancia de unos 5 metros de su enrutador.
4. Siempre que la alimentación esté encendida, el indicador WIFI parpadeará lentamente. Después de 3 minutos, el estado será cancelado si no hay configuración de red, y la luz indicadora está apagada. Si necesita volver a conectar el WIFI, toque largo el botón "TEMPORIZADOR" durante 5 segundos para iniciar la configuración de la red, el indicador WIFI parpadea lentamente.
5. Cuando el indicador WIFI parpadee lentamente, seleccione "Agregar dispositivo"- "Electrodomésticos pequeños"- "Deshumidificador" y siga las instrucciones en la aplicación Smar Life. Seleccione "Modo AP" en la parte superior derecha de la aplicación, elija "Confirmar indicador parpadee lentamente" y presione "Ir a Conectar" para conectar el WIFI llamado "SmartLife-XXXX".
- 6 Si el indicador WIFI parpadea rápidamente, se puede conectar directamente.
7. Una vez que el aparato se haya conectado con éxito, la lámpara WIFI se enciende. Ahora puede operar el aparato usando la aplicación.
8. Mantenga pulsado el botón TIMER durante unos 5 segundos, el aparato se desconectará y el indicador WIFI se apagará.

Conexión alternativa vía Bluetooth - Abra el bluetooth de su teléfono móvil u otro dispositivo. Cuando el indicador WIFI parpadee, abra la APLICACIÓN "Smart Life", la unidad se conectará a través de bluetooth automáticamente



SOLUCIÓN DE PROBLEMAS

Falló la conexión a la red	Solución
Tiempo de espera de conexión de red	<ol style="list-style-type: none"> 1. Compruebe si selecciona el WIFI llamado "SmartLife-XXXX". 2. Apague la máquina y desconecte el código de alimentación y el complemento después de 10 segundos, ingrese a la aplicación para conectarse nuevamente.
Indicador WIFI apagado	Mantenga presionado el botón "Temporizador" o apague la máquina y desconecte el código de alimentación y el complemento después de 10 segundos.
El punto de acceso WIFI desaparece y la luz WIFI parpadea	Apague la máquina y desconecte el código de alimentación y el complemento después de 10 segundos, ingrese a la aplicación para conectarse nuevamente.

FR: TABLE DES MATIERES

1.	NOTIONS PRELIMINAIRES	73
2.	INSTRUCTIONS DE SÉCURITÉ	74
3.	PRESENTATION DU PRODUIT	78
4.	INSTALLATION	80
5.	FONCTIONNEMENT	82
6.	ENTRETIEN	85
7.	DÉPANNAGE	86
8.	ELIMINATION	87
9.	SMART LIFE APP - Manuel de l'Utilisateur	89

Merci d'avoir choisi notre déshumidificateur.

Assurez-vous à lire attentivement ce manuel avant d'utiliser le déshumidificateur

Veillez conserver ce manuel avec soin pour future référence!

1. NOTIONS PRELIMINAIRES

Nous vous prions lire attentivement les instructions d'utilisation avant de démarrer le déshumidificateur pour la première fois.

A. DESCRIPTION DU PRODUIT

Le déshumidificateur est utilisé pour éliminer l'excès d'humidité de l'air. L'abaissement du niveau d'humidité protège les bâtiments et les objets se trouvant à l'intérieur des effets néfastes de l'humidité.

Le produit R290 est écologique et utilisé comme réfrigérant. Le R290 n'a pas d'influence négative sur la couche d'ozone (ODP) ou effet de serre (GWP) et il est disponible au niveau mondial. En raison de ses propriétés énergétiques efficaces, le R290 convient très bien comme agent de refroidissement dans cette situation. Cependant, des précautions spéciales doivent être prises en compte en raison du niveau élevé d'inflammabilité du réfrigérant.

B. SYMBOLES UTILISÉS SUR L'UNITÉ ET DANS LE MANUEL



AVERTISSEMENT

Cet appareil utilise du réfrigérant.

Si le réfrigérant fuit et entre en contact avec une source de flamme ou de chaleur, il va créer des gaz nocifs et il y a un risque d'incendie.



Lisez attentivement le manuel d'instructions avant d'utilisation.



Des informations complémentaires sont disponibles dans le MANUEL D'UTILISATEUR et le MANUEL DE SERVICE.



Avant de mettre en service l'appareil, les personnes chargées des opérations de maintenance doivent lire attentivement le MANUEL D'UTILISATEUR et le MANUEL DE MAINTENANCE.

C. DONNEZ TOUT LE TEMPS L'ATTENTION AUX INFORMATIONS CI-DESSOUS

- Cet appareil est destiné aux utilisateurs experts et formés des magasins, d'industrie légère, des exploitations agricoles et aux utilisateurs domestiques.
- Ce dispositif peut être utilisé par des enfants de plus de 8 ans et des personnes ayant des capacités physiques, sensorielles ou mentales réduites ou un manque d'expérience et de connaissances, à condition qu'ils soient sous la surveillance de personnes adultes

responsables de leur sécurité ou s'ils reçoivent des instructions en ce qui concerne comment l'unité devrait être utilisée.

- Cet appareil n'est pas un jouet. Les enfants de moins de trois ans doivent être surveillés en permanence et tenus à l'écart de celui-ci.
- Le nettoyage et la maintenance de l'appareil ne doivent pas être effectués par des enfants.
- L'unité est conçue uniquement pour être utilisée avec le gaz R290 (propane) en tant que réfrigérant désigné.
- Le circuit de refroidissement est scellé. Seulement des personnes qualifiées peuvent effectuer des réparations sur le circuit de refroidissement.
- Ne pas rejeter le réfrigérant dans l'atmosphère.
- R290 (propane) est inflammable et plus lourd que l'air.
- R290 peut être identifié au niveau du sol, mais peut également être distribué par un ventilateur.
- Si vous soupçonnez la présence de gaz propane, ne permettez pas à des personnes non qualifiées d'essayer de réparer l'installation.
- Le gaz propane utilisé dans l'installation de cet appareil n'a pas d'odeur.
- Le manque d'odeur n'indique pas le manque de gaz évacué. Si une fuite est détectée, évacuez immédiatement tout le monde dans la zone, ventilez la chambre et contactez les pompiers pour les avertir des fuites de propane.
- Ne laissez personne revenir dans la chambre avant que le technicien n'arrive et donne sa recommandation concernant la sécurité du retour dans la zone touchée.
- N'utilisez pas de flammes ouvertes, de cigarettes ou d'autres sources inflammables possibles à l'intérieur ou au voisinage de l'appareil.
- Les composants sont spécialement conçus pour être utilisés avec du propane gaz. Les

composants ne sont remplacés que par des pièces de rechange identiques.

LA DEFAILLANCE DES INSTRUCTIONS DE SÉCURITÉ PEUT AUGMENTER LE RISQUE D'EXPLOSION, DE MORT, DE BLESSURES ET DE DOMMAGES MATÉRIELS.



Avertissement!



2. INSTRUCTIONS DE SÉCURITÉ

Votre sécurité est la chose la plus importante pour nous!



Veillez lire attentivement ce manuel avant d'utiliser le déshumidificateur.

A. AVERTISSEMENTS CONCERNANT LE FONCTIONNEMENT DE L'APPAREIL

Avertissements concernant les risques d'incendie, de choc électrique, de blessure corporelle ou de dégât matériel:

- Si le câble d'alimentation est endommagé, il doit être remplacé par le fabricant, son agent de service ou un personnel qualifié pour éviter tout danger.
- Le niveau de pression acoustique pondéré A est inférieur à 36 dB.
- Lors des opérations de maintenance, l'appareil doit être débranché de la source d'alimentation.
- Connectez toujours l'appareil à une source de tension, fréquence et puissance correspondant à celles indiquées sur la plaque d'identification du produit.
- Utilisez toujours une prise mise à la terre.
- Débranchez le câble d'alimentation lors du nettoyage de l'appareil ou lorsqu'il n'est pas utilisé.
- Ne pas utiliser la machine avec les mains mouillées. Ne laissez pas d'eau pénétrer dans l'appareil.
- N'immergez pas l'appareil dans l'eau et ne l'exposez pas à la pluie, à l'humidité ou à toute autre source de liquide.
- Ne laissez pas l'appareil sans surveillance pendant qu'il fonctionne. Ne l'inclinez pas et ne le renversez pas.
- Ne débranchez pas l'appareil pendant qu'il fonctionne.
- Ne débranchez pas en tirant le câble d'alimentation.
- N'utilisez pas de rallonge ni d'adaptateur.
- Ne placez pas d'objets sur l'appareil.
- Ne montez pas et ne vous asseyez pas sur l'appareil.
- N'insère pas les doigts ou d'autres objets dans la sortie d'air.
- Ne touchez pas la sortie d'air ni les fentes en aluminium de l'appareil.
- N'utilisez pas l'appareil s'il est tombé, s'il a été endommagé ou s'il présente des signes de dysfonctionnement.
- Ne nettoyez pas l'appareil avec des produits chimiques.
- Assurez-vous que l'appareil reste à l'écart du feu, des objets inflammables ou explosifs.
- L'appareil doit être installé conformément aux réglementations nationales relatives aux systèmes de câblage.
- N'utilisez pas d'autres moyens pour accélérer le processus de dégivrage ou de nettoyage que ceux recommandés par le fabricant.
- L'appareil doit être rangé dans une pièce dépourvue d'appareils fonctionnant en continu (par exemple: flamme ouverte, appareil à gaz ou appareil de chauffage électrique).
- L'appareil doit être stocké de manière à éviter sa détérioration.
- Ne démontez pas et ne jetez pas l'appareil, même après utilisation.
- Sachez que les agents de réfrigération n'ont pas d'odeur.
- Les tuyaux de l'appareil doivent être protégés contre les dommages physiques et ne doivent pas être installés dans un espace non ventilé, si cet espace est inférieur à 4 m².

- Se conformer à la réglementation nationale sur le gaz.
- Gardez les orifices de ventilation libres de tout obstacle.
- L'appareil doit être rangé dans un endroit bien ventilé, où la taille de la chambre correspond aux conditions spécifiées, pour un fonctionnement correct.



Toute personne travaillant sur un circuit de réfrigération doit détenir un certificat valide délivré par une autorité d'évaluation accréditée, attestant de sa compétence pour manipuler les réfrigérants en toute sécurité, conformément aux spécifications reconnues dans l'industrie concerné.



Les réparations de l'installation doivent être effectuées conformément aux recommandations du fabricant. L'entretien et les réparations nécessitent l'assistance d'un personnel qualifié et ils sont effectués sous la supervision d'une personne compétente dans l'utilisation de réfrigérants inflammables. Si vous rencontrez des problèmes que vous ne comprenez pas ou si vous avez besoin d'aide, veuillez contacter les services du revendeur agréé.

B. PRÉCAUTIONS DE SÉCURITÉ CONCERNANT LES RÉPARATIONS

Veillez tenir compte de ces avertissements avant de procéder à la maintenance d'un déshumidificateur R290.

i. Vérifications au voisinage du dispositif

Avant de commencer à travailler sur des systèmes contenant des réfrigérants inflammables, ils sont nécessaires des contrôles de sécurité pour réduire au minimum le risque d'inflammation. Pour la réparation du système de réfrigération, les précautions suivantes seront suivies avant d'effectuer les travaux sur le système.

ii. Procédure de travail

Les travaux sont effectués conformément à une procédure contrôlée, de manière à minimiser les risques d'apparition de gaz ou de vapeurs inflammables pendant les travaux.

iii. Zone de travail

Tout le personnel de maintenance et les autres personnes travaillant dans les voisinages doivent être formés en ce qui concerne la nature des travaux effectués. Évitez de travailler dans des espaces confinés. La zone autour de l'espace de travail est délimitée. Assurez-vous que les espaces dans la zone ont été sécurisés en contrôlant les matériaux inflammables.

iv. Vérification de la présence de l'agent réfrigérant

La zone doit être vérifiée avec un détecteur de réfrigérant approprié avant et pendant le travail pour assurer la présence de matériaux potentiellement inflammables. Assurez-vous que l'équipement de détection de fuites utilisé est adapté à l'identification des réfrigérants inflammables, ne déclenche pas d'étincelles et qu'il est correctement scellé.

v. Présence d'extincteur d'incendies

S'il est effectué du travail à chaud sur l'équipement de réfrigération ou sur toute partie de celui-ci, il doit être disponible un équipement d'extinction d'incendie adéquat. Assurez-vous de disposer d'un extincteur à poudre sèche ou à CO₂ à la proximité.

vi. Sans sources d'allumage

Aucune personne effectuant des travaux dans un système de réfrigération et exposée à un réfrigérant inflammable ne doit utiliser aucune source d'inflammation afin d'éviter tout risque d'incendie ou d'explosion. Toutes les sources possibles d'inflammation, y compris le tabagisme, doivent être éloignées du lieu d'installation, de réparation, de démontage et d'élimination, dans les lieux où un réfrigérant inflammable peut être libéré. Avant de procéder aux travaux, il convient de vérifier les alentours de l'installation pour s'assurer qu'il n'y a pas de produits inflammables ou de risques d'inflammation. Sera utilisée la pancarte "Interdiction de fumer".

vii. Zone ventilée

Assurez-vous que la zone de travail est bien ventilée avant de commencer à travailler sur l'installation ou pour effectuer un travail à chaud. La ventilation devrait disperser en toute sécurité tout fluide réfrigérant libéré et de préférence l'expulser de l'extérieur vers l'atmosphère.

viii. Vérifications s à l'installation avec un agent réfrigérant

Si les composants électriques sont remplacés, ils doivent être adaptés à l'utilisation prévue et de respecter les spécifications correctes. Les instructions du fabricant concernant la maintenance et les opérations en ce qui concerne la maintenance doivent être suivies à tout moment. En cas de doute, consultez le service technique du fabricant.

Les contrôles suivants s'appliquent aux installations utilisant des réfrigérants inflammables:

- La taille de la charge est fonction de la taille de la chambre dans laquelle sont installés les composants contenant le réfrigérant;
- Les appareils de ventilation et les événements fonctionnent correctement et ne sont pas obstrués;
- Si un circuit de réfrigération indirect est utilisé, le circuit secondaire doit être vérifié pour la présence de réfrigérant;
- Les marques de l'équipement de travail seront visibles et lisibles. Toute marque et tout signe illisibles seront corrigés;
- l'installation de réfrigérant ou ses composants sont placés de telle sorte qu'ils ne puissent être exposés à aucune substance corrosive, à moins que les composants ne soient construits avec des matériaux intrinsèquement résistants à la corrosion ou protégés de manière adéquate.

ix. Contrôle des appareils électriques

La réparation et l'entretien des composants électriques doivent inclure des contrôles de sécurité initiaux et des procédures d'inspection des composants. En cas de défaut pouvant compromettre la sécurité, l'appareil ne sera pas branché à l'alimentation tant que le défaut n'aura pas été résolu de manière satisfaisante. Si le défaut ne peut pas être corrigé

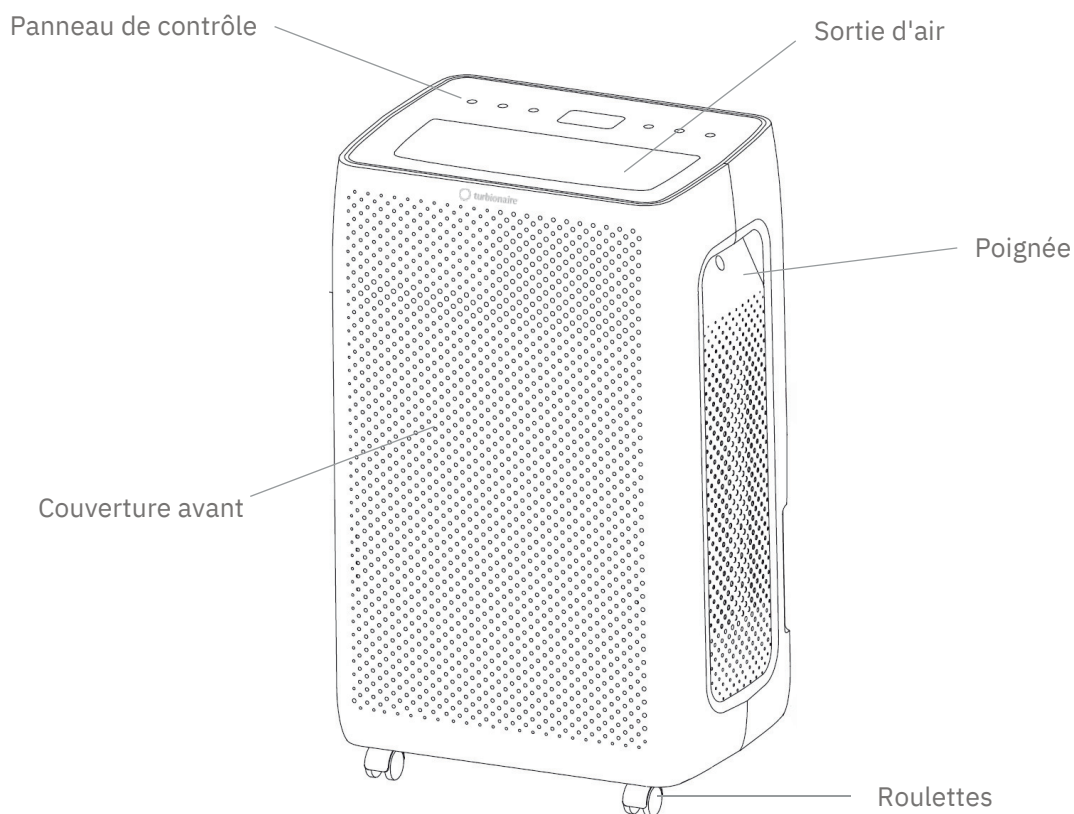
immédiatement, mais qu'il est nécessaire de continuer le fonctionnement, il sera utilisé une solution temporaire appropriée. Ceci est signalé au propriétaire de l'équipement, de sorte que toutes les parties soient conscientes de cette situation.

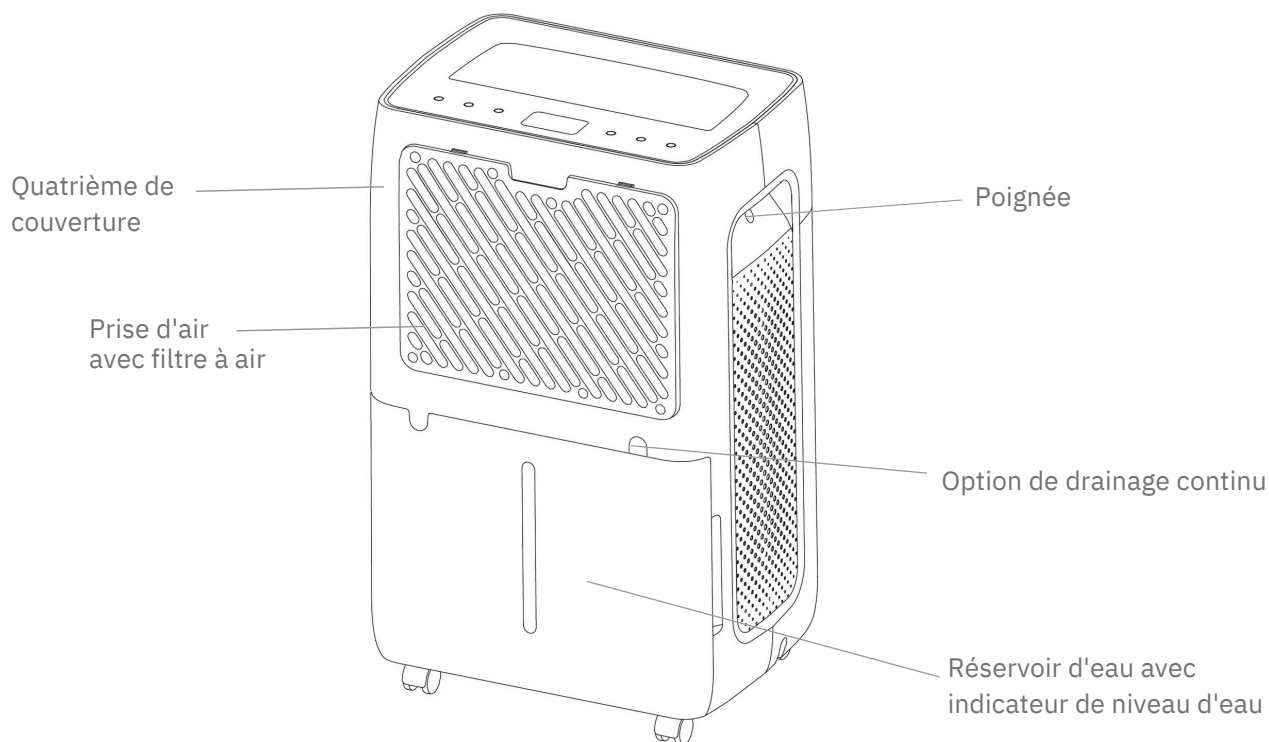
Les contrôles de sécurité initiaux sont effectués lorsque:

- les condensateurs sont déchargés: ceci doit être fait en toute sécurité pour éviter la formation d'étincelles;
- les composants électriques et les câbles ne sont pas sous tension, même pendant le chargement, la récupération ou la purge du système;
- il y a une continuité de la connexion à la terre.

3. PRESENTATION DU PRODUIT

A.VUE AVANT ET ARRIÈRE





B. CARACTÉRISTIQUES

- Fonction de balancement automatique
- Surveillance et affichage de l'humidité actuelle
- Le mode automatique ajuste automatiquement les niveaux d'humidité
- Minuterie de 24 heures pour régler l'heure de fonctionnement
- Élimine l'humidité et la poussière de l'air
- Faible consommation d'énergie-économe en énergie
- Ventilateur silencieux avec deux réglages de vitesse
- Dégivrage automatique à basse température
- Arrêt automatique/redémarrage automatique
- Élimination puissante de l'humidité
- Contrôle par application via WIFI (pour les modèles équipés de cette fonction)
- Contrôle tactile
- Fonction de séchage du linge (mode continu)
- Filtre à poussière
- Drainage continu
- Réservoir d'eau de 4,5 L

C.SPÉCIFICATIONS TECHNIQUES

MODÈLE	SENSO N20
Capacité de déshumidification	20 L/ jour (30°C, 80%)
Source de courant	AC220-240V/50Hz
Consommation d'énergie	330W/ 2,3A
Bruit	≤41dB(A)
Capacité du réservoir d'eau	4,5 L
Poids net	13,5 kg
Taille minimale de la pièce	4m ² (superficie de plancher)

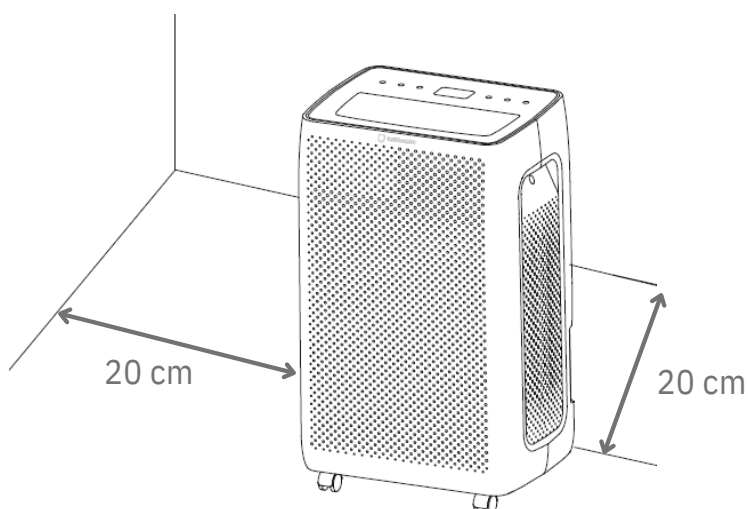
4. INSTALLATION

A.EMPLACEMENT DU DESHUMIDIFICATEUR

Placez l'appareil sur une surface stable et plane et laissez au moins 30 cm d'espace libre autour de lui pour permettre une circulation d'air adéquate.

N'installer jamais l'unité :

- À côté de sources de chaleur telles que chaudière, radiateurs, poêles ou des autres appareils générant de la chaleur.
- Dans une zone où peut être éclaboussé de l'huile ou de l'eau
- En plein soleil
- Dans une zone de vibrations ou de chocs mécaniques
- Dans une zone de poussière excessive
- Dans une zone non ventilée, telle qu'un placard ou une bibliothèque
- Sur une surface inégale



**ATTENTION**

Installez l'unité dans des pièces dépassant 4 m².
N'installez pas l'unité dans un endroit où des gaz inflammables peuvent fuir.



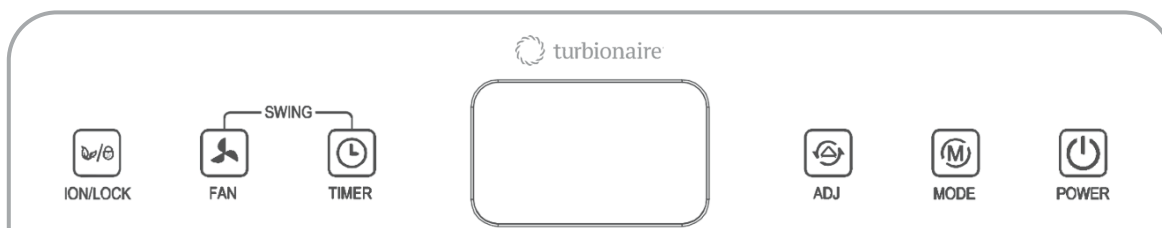
NOTE Le fabricant peut fournir un autre exemple approprié ou fournir des informations supplémentaires sur l'odeur du réfrigérant.

B. UTILISATION EN TOUTE SÉCURITÉ DE L'APPAREIL

- Après le déballage, vérifiez si l'appareil est endommagé ou rayé.
- Utilisez cette unité à une température ambiante comprise entre 5 ° C et 38 ° C.
- N'utilisez pas le déshumidificateur à l'extérieur. Ce déshumidificateur est destiné à un usage résidentiel uniquement.
- N'utilisez pas le déshumidificateur à la proximité de murs, rideaux ou autres objets pouvant obstruer l'entrée et la sortie d'air.
- Gardez les ports d'entrée et de sortie sans d'obstacles.
- Si elle a été inclinée à un angle supérieur à 45°, laissez l'unité debout pendant au moins 24 heures avant de démarrer.
- Gardez les portes et les fenêtres fermées pour une meilleure efficacité du déshumidificateur.
- N'utilisez pas et ne stockez pas l'unité à la lumière directe du soleil ou sous la pluie.
- Il est normal que la sortie d'air se réchauffe après un fonctionnement continu pendant les journées chaudes
- Videz le réservoir d'eau avant de déplacer le déshumidificateur.
- Assurez-vous que le réservoir d'eau est correctement monté, sinon l'unité ne fonctionnera pas correctement.
- Le déshumidificateur démarre dans le mode sélectionné lors de la dernière utilisation.
- Le déshumidificateur commence à déshumidifier l'air de la chambre si le taux d'humidité est supérieur de plus de 3% à la valeur sélectionnée.
- Le compresseur est équipé d'un système de protection qui retarde le démarrage
- avec
- 3 minutes. Ainsi, vous devrez attendre 3 minutes pour que le déshumidificateur reprenne le processus de déshumidification.

5.FONCTIONNEMENT

Panneau de commande



Bouton POWER - Touchez ce bouton pour allumer ou éteindre l'appareil.

Bouton MODE - Touchez ce bouton pour choisir le mode de déshumidification automatique, veille ou continue.

Bouton ADJ - Touchez ce bouton pour régler le niveau d'humidité et choisir l'heure de la minuterie.

Bouton TIMER - Touchez ce bouton pour définir une heure à laquelle l'appareil démarre ou s'arrête automatiquement.

Pour activer le WiFi (pour les modèles équipés de cette fonction), appuyez sur le bouton TIMER pendant au moins 5 secondes. L'indicateur WiFi sur l'écran commencera à clignoter.

Bouton Fan SPEED - Appuyez sur ce bouton pour sélectionner la vitesse du ventilateur entre haute et basse.

Bouton ION/LOCK (pour les modèles non équipés de la fonction d'ionisation) - Touchez ce bouton pour activer ou désactiver la fonction de purification de l'air de l'ioniseur. Appuyez longuement sur ce bouton pour activer ou désactiver la fonction de verrouillage enfant.

SWING - Appuyez simultanément sur les boutons TIMER et FAN pour démarrer la fonction Swing. Affichage-il affiche la valeur d'humidité, le réglage de la minuterie, la température et d'autres informations.



POWER

Bouton POWER - En veille, appuyez sur le bouton Power pour allumer le déshumidificateur, le fonctionnement


L'indicateur s'allume et la vitesse du ventilateur par défaut est élevée et l'humidité par défaut est de 50 %. À la mise sous tension, appuyez sur le bouton d'alimentation pour éteindre, le voyant de fonctionnement s'éteint et le compresseur s'arrête immédiatement, puis le ventilateur s'éteint après 30 secondes de retard.



MODE

Bouton MODE - Appuyez sur la touche Mode pour basculer entre les modes de déshumidification automatique, veille et continue.

- **Mode automatique** : lorsque l'humidité ambiante est \geq réglée à 3 %, le ventilateur commence à fonctionner et le compresseur commence à fonctionner après 3 secondes. Lorsque l'humidité ambiante \leq humidité réglée à 3 %, le compresseur cesse de fonctionner et le ventilateur cesse de fonctionner après un délai de 30 secondes.

Appuyez sur le bouton ADJ  pour régler le niveau d'humidité de 30 % à 80 % en mode automatique.

La vitesse du ventilateur et l'humidité peuvent être ajustées en mode automatique.


- **Mode de déshumidification continue** : l'unité continue de fonctionner à grande vitesse, la vitesse du ventilateur peut être réglée, l'humidité ne peut pas être réglée.

- Mode veille : touchez le bouton Veille, le bouton s'allume et démarre la fonction veille, par défaut l'humidité est de 60%. Si le panneau de commande n'est pas utilisé dans les 10 secondes, tous les indicateurs s'éteignent progressivement et la vitesse du ventilateur passe automatiquement de élevée à basse. Appuyez à nouveau sur le bouton SLEEP pour quitter le mode veille. La vitesse du ventilateur et l'humidité peuvent être ajustées en mode veille. Appuyez à nouveau sur le bouton MODE pour quitter le mode SOMMEIL.



Bouton MINUTERIE

Appuyez sur le bouton TIMER pour régler la fonction de minuterie de 00 à 24 heures.

Le panneau d'affichage « 88 » clignote et affichera l'heure de la minuterie, appuyez sur le bouton ADJ , la valeur augmente. 1 heure, la valeur affichée sur l'écran.

En état de fonctionnement, utilisez la fonction minuterie pour éteindre la machine régulièrement. En état de veille, utilisez la fonction minuterie pour allumer la machine régulièrement.

Réglez l'heure sur « 00 » pour annuler la fonction de synchronisation.

Appuyez longuement sur le bouton TIMER pendant 5 secondes pour activer la fonction wifi, veuillez vous référer aux instructions wifi sur les dernières pages (pour les modèles équipés de cette fonction).



Bouton FAN SPEED - Cycle de vitesse de ventilateur élevée/basse. Appuyez une fois sur le bouton pour basculer, puis l'indicateur correspondant s'allume. En mode de séchage continu et en période de dégivrage, la vitesse du ventilateur ne peut pas être modifiée.



Mode SWING - Appuyez simultanément sur les boutons FAN et TIMER pour démarrer la fonction de balancement automatique, appuyez à nouveau pour arrêter la fonction de balancement.



Bouton ION/LOCK - Appuyez sur ce bouton pour activer ou désactiver la fonction de purification de l'air de l'ioniseur.

Appuyez longuement sur ce bouton pour activer ou désactiver la fonction de sécurité enfant.

Alarme de réservoir d'eau plein

Indicateur du réservoir d'eau : lorsque le réservoir est plein pendant 5 secondes, il déclenche l'alarme. L'indicateur du réservoir d'eau devient rouge et l'appareil sonne 5 fois.

Effacer l'alarme : lorsque le buzz est activé, appuyez sur n'importe quel bouton pour l'arrêter. Le ventilateur du compresseur s'arrête et toutes les fonctions se figent jusqu'à ce que le réservoir soit vidé et remis en bonne position.

A. Drainage

Il existe deux manières d'éliminer l'eau collectée produite par l'unité.

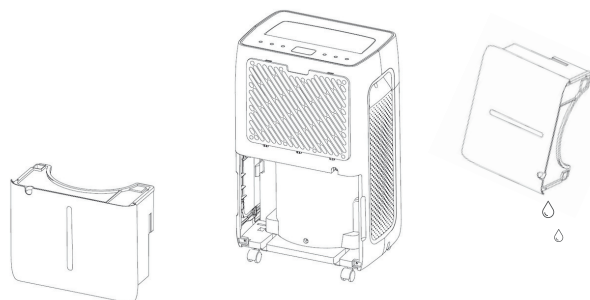
- Vidange manuelle : le réservoir d'eau est retiré manuellement.
- Vidange continue : fixez un tuyau de vidange à l'unité afin que l'eau condensée soit évacuée par gravité.

B. Vider le réservoir d'eau

L'unité s'arrêtera une fois que le réservoir d'eau sera plein. Il fonctionnera à nouveau une fois que vous aurez vidé le réservoir d'eau et l'aurez réinstallé correctement. Lorsque le réservoir est plein, l'appareil émet un bourdonnement et la LED « Water Full » s'allume.

- Touchez le bouton POWER pour éteindre l'appareil.
- Tirez sur le réservoir d'eau et faites-le glisser hors du corps du déshumidificateur.
- Videz l'eau dans un endroit doté d'un drain ou à l'extérieur.
- Nettoyer l'intérieur du réservoir, si nécessaire, ainsi que l'extérieur.

- Remettez le réservoir vide dans l'appareil.
- Appuyez sur le bouton POWER pour redémarrer l'appareil.
- Si la LED « Water Full » est toujours allumée, vérifiez si le flotteur du réservoir d'eau est correctement placé et exempt de tout blocage.
- Si le voyant Water Full ne s'éteint pas, vérifiez que le flotteur est correctement mis en place.



Avertissement

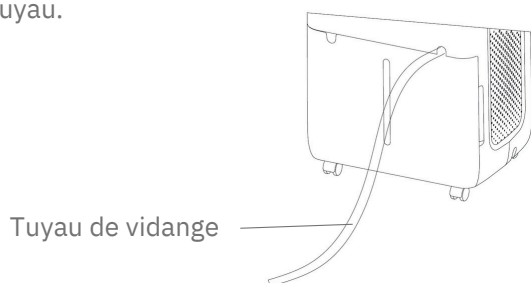
1. Ne jetez pas les aimants du réservoir d'eau et les rivets en plastique. Sinon, l'appareil ne cessera pas automatiquement de fonctionner lorsque le réservoir d'eau est plein et l'eau condensée débordera et endommagera le sol de la pièce. Assurez-vous de nettoyer l'eau condensée dans le réservoir d'eau avant de réinitialiser le mode de fonctionnement de la machine.
2. Si le réservoir d'eau est sale, rincez-le à l'eau claire. Évitez d'utiliser des détergents, des billes d'acier, des dépoussiéreurs chimiques, du diesel, du benzène, des diluants ou d'autres solvants. Sinon, le réservoir d'eau sera endommagé et fuira.
3. Remettez le réservoir vide dans l'appareil. Sinon, l'indicateur de remplissage d'eau peut rester rouge et l'appareil ne peut pas redémarrer.

C. Drainage continu

Pour un fonctionnement continu ou une déshumidification sans surveillance, veuillez connecter le tuyau de vidange fourni à l'unité. L'eau de condensation s'écoule librement dans un seau ou un trou de drainage par gravité.

- Placez l'appareil sur une surface horizontale et dans une position stable.
- Éteignez l'appareil avant de l'utiliser.
- Connectez solidement et correctement le tuyau de vidange et assurez-vous qu'il n'est pas plié et dégagé de toute obstruction.
- Placez la sortie du tuyau au-dessus d'un drain ou d'un seau et assurez-vous que l'eau puisse s'écouler librement hors de l'appareil.

Ne plongez pas l'extrémité du tuyau dans l'eau ; sinon cela pourrait provoquer un « Air Lock » dans le tuyau.



Pour éviter les déversements d'eau :

- Comme la pression négative du bac de récupération des condensats est importante, inclinez le tuyau de vidange vers le bas, vers le sol. Il convient que le degré d'inclinaison dépasse 20 degrés. Redressez le tuyau pour éviter qu'un piège existe dans le tuyau.

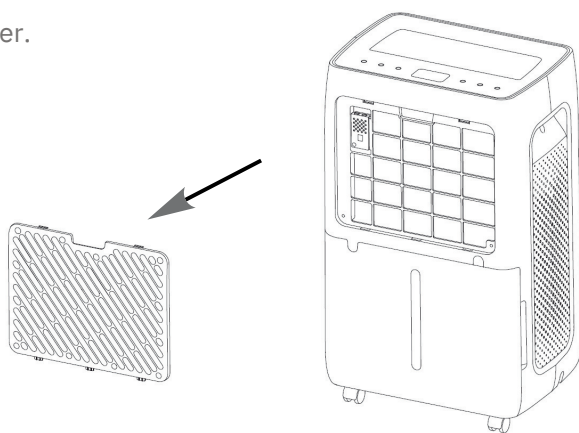
6. ENTRETIEN

Remarque - avant de nettoyer et d'entretenir la machine, assurez-vous d'éteindre la machine et de débrancher la fiche d'alimentation pour éviter les chocs électriques.

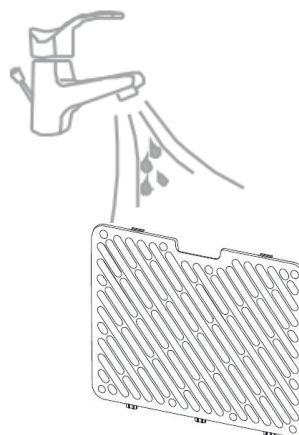
NETTOYAGE DU FILTRE D'AIR

Nettoyez le filtre au moins toutes les deux semaines ou chaque fois qu'il est nécessaire. Les impuretés accumulées dans un filtre non lavé peuvent être absorbées par le ventilateur en se fixant sur l'évaporateur, au condenseur et sur d'autres composants internes, ce qui entraîne une diminution du rendement et l'apparition de divers défauts, dans ce cas, non couverts par la garantie. Si on constate des impuretés à l'intérieur de l'unité, contactez le service agréé le plus proche pour un nettoyage professionnel. N'effectuez pas de nettoyage interne (autre que le nettoyage et le lavage du filtre lavable) qu'uniquement avec du personnel spécialisé.

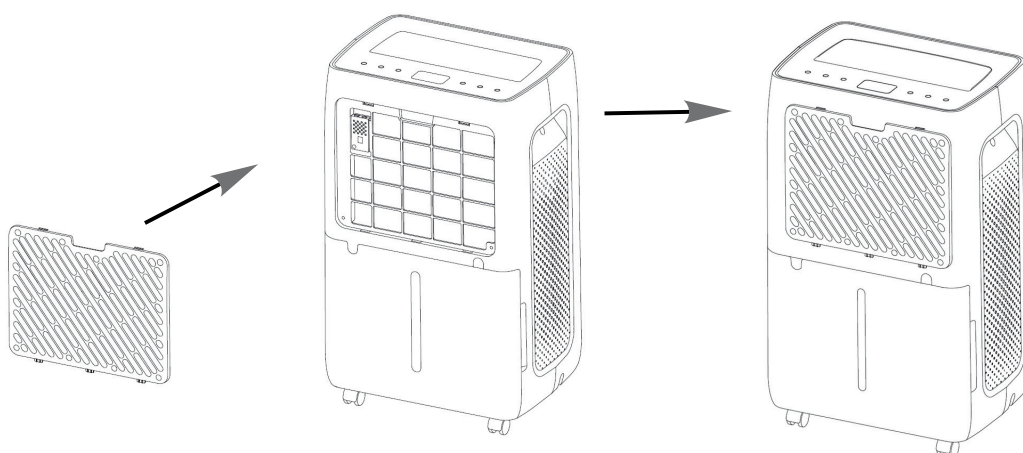
a) Remove the filter grid and take off the filter.



b) Use a vacuum cleaner to gently absorb the dust on the surface of the filter. Soak the strainer in warm water at about 40 degrees Celsius. If the filter is very dirty, wash it with water and a soft detergent and dry it thoroughly afterwards.



c) Remettez le filtre en place derrière l'appareil.



7. DÉPANNAGE

A. TEMPERATURE DE FONCTIONNEMENT

5 ° C ≤ Température ambiante ≤ 38 ° C Lorsque la température ambiante est inférieure ou supérieure à la température de fonctionnement, le déshumidificateur s'arrête.

Lorsque 5 ° C ≤ Temp. Ambiante ≤ 16 ° C, le compresseur dégivre automatiquement à certains intervalles; pendant le dégivrage, le compresseur s'arrête et le ventilateur continue de fonctionner.

B. AVANT DE DEMANDER UN SERVICE

Avant de contacter le centre de service, consultez la liste des problèmes pouvant survenir pendant le fonctionnement de l'unité et ne résultant pas d'un vice du travail ni des matériaux utilisés

Problème	Causes possibles	Solution
Ca ne fonctionne pas	Pas d'alimentation	Connectez-vous à une prise fonctionnelle et allumez.
	L'indication de remplissage d'eau clignote	Videz le réservoir d'eau et remettez-le dans l'appareil.
	Température ambiante <5°C ou >38°C	Autoprotection conçue pour protéger l'unité. Impossible de travailler à une telle température.
Mauvais fonctionnement	Le filtre à air est-il bouché ?	Nettoyer le filtre à air comme indiqué
	Le conduit d'admission ou le conduit d'évacuation est-il obstrué ?	Retirez l'obstruction du conduit d'évacuation ou du conduit d'admission.
Pas d'entrée d'air Bruit fort lors du fonctionnement	Le filtre à air est-il bouché ?	Laver le filtre
	L'appareil est-il placé sur une surface horizontale et plane ?	Placez l'appareil correctement
	Le filtre à air est-il bouché ?	Laver le filtre

E1/ E2	Problème de capteur d'humidité	Changer le capteur
LO	L'humidité de l'environnement est inférieure à 20 %	Le déshumidificateur s'éteint pour l'autoprotection
HI	L'humidité de l'environnement est supérieure à 90 %	
CL	Protection contre les basses températures, la température ambiante <5°C	
CH	Protection haute température, la température ambiante >38°C	

8. ELIMINATION

8.1 STOCKAGE DE L'UNITÉ

Stockage à long terme - Si vous n'utilisez pas l'appareil pendant une longue période (plus de quelques semaines), nous vous recommandons de le nettoyer et de le sécher complètement. Veuillez stocker l'unité en procédant comme suit:

- a) Appuyez sur le bouton d'alimentation pour éteindre l'unité et débranchez-le de la prise de courant.
- b) Videz l'eau restante dans l'unité
- c) Nettoyez le filtre et laissez-le se sécher complètement dans une zone à l'abri de la lumière.
- d) Enroulez le câble d'alimentation.
- e) Réinstallez le filtre dans la position correcte.
- f) L'unité doit être maintenue en position verticale lorsqu'elle est stockée.
- g) Conservez le déshumidificateur dans une chambre ventilée, sèche et sans carburants.

ATTENTION: L'évaporateur à l'intérieur du déshumidificateur doit être sec avant d'être emballé pour éviter d'endommager les composants et l'apparence de moisissure. Débranchez l'unité et placez-le dans un endroit sec et ouvert pendant plusieurs jours pour le bien sécher. Une autre façon de sécher l'unité consiste à régler le niveau d'humidité à 5% au-dessus de l'humidité ambiante, afin de forcer le ventilateur à sécher l'évaporateur pendant plusieurs heures.

8.2 ELIMINATION

AVERTISSEMENT!!!



La libération du réfrigérant dans l'atmosphère est strictement interdit!
Ne jetez pas les appareils électriques avec les déchets ménagers non triés, mais utilisez des espaces de collecte séparés. Contactez votre administration locale pour obtenir des informations sur les systèmes de collecte disponibles dans la région. Si les appareils électriques sont jetés avec les ordures ménagères, des substances dangereuses peuvent s'infiltrer dans les eaux souterraines et atteindre la chaîne alimentaire, nuisant ainsi à la santé et au bien-être des personnes.

Pour Turbionaire DEE/ Emballage/ Batterie en UE

Veillez scanner ici le code QR



Merci d'avoir choisi Turbionaire !

Pour des conseils d'experts sur vos appareils Turbionaire, de l'aide ou des réparations, veuillez nous contacter au www.turbionaire.com/warranty.

Autres détails supplémentaires sur ce produit :

- Information
- Spécifications techniques
- Etiquette énergétique

consultable en accédant www.turbionaire.com

Fabricant et importateur :

SC Intax Trading S.R.L. - Str. Ion Creanga non. 14B, 075100, Otopeni, Ilfov, Roumanie. Tél (+40) 318 246 246 Fax (+40) 214 203 151 office@intaxtrading.com
www.intaxtrading.com

SMART LIFE - MANUEL D'UTILISATION DE L'APPLICATION SENSO N20

L'application «Smart Life» est disponible pour Android et iOS.
Scannez avec votre smartphone le code QR correspondant pour accéder directement au téléchargement.



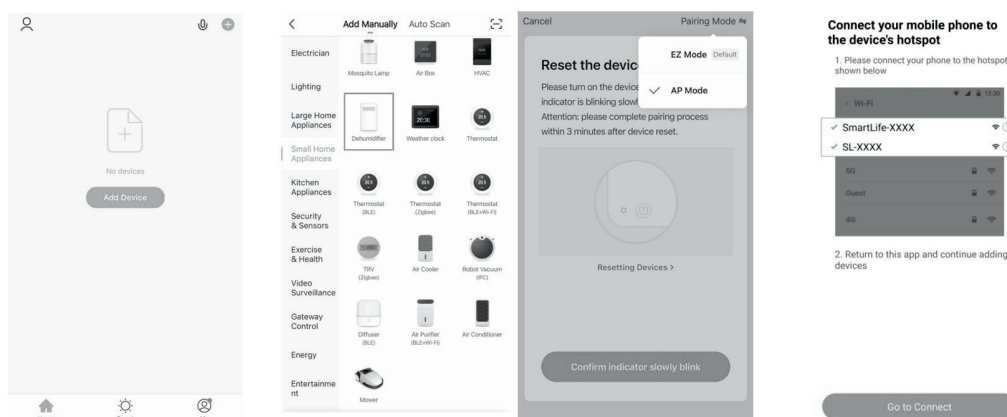
Comment utiliser l'application

Cet appareil vous permet de faire fonctionner l'appareil via votre réseau domestique WIFI. Une condition préalable est une connexion WIFI permanente à votre routeur et l'application gratuite «Smart Life». Nous vous recommandons de débrancher l'appareil de l'alimentation électrique lorsque vous êtes loin de chez vous pour éviter une mise en marche involontaire pendant que vous êtes en déplacement!

Mise en service via l'application

1. Installez l'application "Smart Life". Créez un compte utilisateur.
2. Activez la fonction WIFI dans les paramètres de votre appareil - appuyez sur le bouton TIMER pendant au moins 5 secondes
3. Placez l'appareil à une distance d'environ 5 mètres de votre routeur.
4. Tant que l'alimentation est allumée, l'indicateur WIFI clignote lentement. Après 3 minutes, l'état sera annulé s'il n'y a pas de configuration réseau et que le voyant est éteint. Si vous avez besoin de reconnecter le WIFI, longtouch le bouton "TIMER" pendant 5 secondes pour démarrer la configuration du réseau, le voyant WIFI clignote lentement.
5. Lorsque l'indicateur WIFI clignote lentement, sélectionnez "Ajouter un appareil"- "Petits appareils ménagers"- "Déshumidificateur", et suivez les instructions de l'application Smar Life. Sélectionnez "Mode AP" en haut à droite de l'application, choisissez "Confirmer l'indicateur clignote lentement" et appuyez sur « Go to Connect » pour connecter le WIFI nommé « SmartLife-XXXX ».
- 6 Si l'indicateur WIFI clignote rapidement, il peut être connecté directement.
7. Une fois l'appareil connecté avec succès, le voyant WIFI s'allume. Vous pouvez maintenant faire fonctionner le appareil à l'aide de l'application.
8. Appuyez sur le bouton TIMER et maintenez-le enfoncé pendant environ 5 secondes, l'appareil se déconnecte et le voyant WIFI s'éteint.

Connexion alternative via Bluetooth - Ouvrez le Bluetooth de votre téléphone mobile ou autre appareil. Lorsque l'indicateur WIFI clignote, ouvrez l'application « Smart Life », l'appareil se connectera automatiquement via Bluetooth.



DÉPANNAGE

La connexion réseau a échoué	Solution
Délai d'expiration de la connexion réseau	<ol style="list-style-type: none">1. Vérifiez si vous sélectionnez le WIFI nommé «SmartLife-XXXX».2. Éteignez la machine et débranchez le code d'alimentation et le plug-in après 10 secondes, entrez dans l'application pour vous connecter à nouveau.
Voyant WIFI éteint	Appuyez longuement sur le bouton «Minuterie» ou Éteignez la machine et débranchez le code d'alimentation et le plug-in après 10 secondes.
Le hotspot WIFI disparaît et le voyant WIFI clignote	Éteignez la machine et débranchez le code d'alimentation et le plug-in après 10 secondes, entrez dans l'application pour vous connecter à nouveau.

IT: INDICE

1.	PRIMA DI INIZIARE	91
2.	ISTRUZIONI DI SICUREZZA	92
3.	PRESENTAZIONE DEL PRODOTTO	96
4.	INSTALLAZIONE	97
5.	FUNZIONAMENTO	104
6.	MANUTENZIONE	102
7.	RISOLUZIONE DEI PROBLEMI	103
8.	SMALTIMENTO DEL PRODOTTO	104
9.	SMART LIFE APP - Manuale d'uso	105

Grazie per aver scelto il nostro deumidificatore..
Assicurarsi di leggere attentamente questo manuale prima di utilizzarlo. *Conservare attentamente questo manuale per ulteriori riferimenti!!*

1.PRIMA DI INIZIARE

Leggere attentamente le istruzioni per l'uso prima di utilizzare il deumidificatore per la prima volta.

A.DESCRIZIONE DEL PRODOTTO

Il deumidificatore viene utilizzato per rimuovere l'umidità in eccesso dall'aria. La conseguente riduzione dell'umidità relativa protegge gli edifici e il loro contenuto dagli effetti negativi dell'umidità in eccesso.

L'R290 ecologico viene utilizzato come refrigerante. R290 non ha alcuna influenza dannosa sullo strato di ozono (ODP), un effetto serra trascurabile (GWP) ed è disponibile in tutto il mondo. Grazie alle sue efficienti proprietà energetiche, R290 è altamente adatto come refrigerante per questa applicazione. Precauzioni speciali devono essere prese in considerazione a causa dell'alta infiammabilità del liquido di raffreddamento.

B. SIMBOLI SULL'UNITÀ E NEL MANUALE D'USO



Attenzione!

Questa unità utilizza un refrigerante infiammabile. Se il refrigerante esce fuori dall'unità ed entra in contatto con il fuoco o una parte riscaldante, si crea gas nocivo e aumenta il rischio di incendio.



Leggere attentamente il MANUALE D'USO prima di utilizzare l'unità.



Ulteriori informazioni sono disponibili nel MANUALE D'USO e nel MANUALE DI ASSISTENZA TECNICA.



Il personale dell'assistenza tecnica è consigliato di leggere attentamente il MANUALE D'USO e il MANUALE DI ASSISTENZA TECNICA prima di utilizzare l'unità.

C. PRESTARE ATTENZIONE IN QUALSIASI MOMENTO ALLE INFORMAZIONI SOTTOSTANTI

- Questo apparecchio è destinato ad essere utilizzato da esperti o utenti addestrati nei negozi, nell'industria leggera e nelle aziende agricole o per uso commerciale da parte di persone non specializzate.

- Questo apparecchio può essere utilizzato da bambini di età pari o superiore a 8 anni e da persone con capacità fisiche, sensoriali o mentali ridotte o senza esperienza e conoscenza se sono stati sottoposti a supervisione o istruzione relative all'uso dell'apparecchio in modo sicuro e comprendono pericoli coinvolti.
- Questo apparecchio non è un giocattolo. I bambini sotto i 3 anni devono essere costantemente monitorati e tenuti lontano da esso.
- La pulizia e la manutenzione dell'unità non devono essere eseguite da bambini.
- L'unità è progettata esclusivamente per l'uso con gas R-290 (propano) come refrigerante designato.
- Il circuito di raffreddamento è sigillato. Solo persone qualificate possono eseguire riparazioni al circuito di raffreddamento!
 - Non scaricare il refrigerante nell'atmosfera.
 - L'R-290 (propano) è infiammabile e più pesante dell'aria.
 - Si raccoglie per primo nelle aree basse ma può essere fatto circolare dai fan.
 - Se è presente o addirittura sospettato gas propano, non consentire a personale non addestrato di tentare di trovare la causa.
 - Il gas propano utilizzato nell'unità non ha odore.
 - La mancanza di odore non indica una mancanza di gas fuoriuscito.
 - Se viene rilevata una perdita, evacuare immediatamente tutte le persone dal negozio, ventilare la stanza e contattare i vigili del fuoco locali per avvisare che si è verificata una perdita di propano.
 - Non consentire a nessuno di rientrare nella stanza fino a quando il tecnico dell'assistenza qualificato non è arrivato e ha informato che è sicuro tornare al negozio.
 - Non utilizzare fiamme libere, sigarette o altre possibili fonti di accensione all'interno o nelle vicinanze delle unità.
- I componenti sono appositamente progettati per l'uso con gas propano. I componenti vengono sostituiti solo con parti identiche.

LA MANCATA OSSERVANZA DELLE ISTRUZIONI DI SICUREZZA PUÒ AUMENTARE IL RISCHIO DI ESPLOSIONI, MORTE, LESIONI E DANNI MATERIALI.



Avertissement!



2. ISTRUZIONI DI SICUREZZA

La tua sicurezza è la cosa più importante di cui siamo preoccupati!



Si prega di leggere attentamente questo manuale prima di utilizzare il deumidificatore.

A. AVVERTENZE RELATIVE AL FUNZIONAMENTO DEL DISPOSITIVO

ATTENZIONE: per ridurre il rischio di incendi, scosse elettriche o lesioni a persone o cose:

- Se il cavo di alimentazione è danneggiato, deve essere sostituito dal produttore, dal suo agente di servizi o da persone analogamente qualificate per evitare pericoli.
- Il livello di pressione sonora ponderata A è inferiore a 36 dBs.

- L'apparecchio deve essere scollegato dalla fonte di alimentazione durante la manutenzione.
 - Collegare sempre l'unità a una fonte di alimentazione di uguale tensione, frequenza e potenza, come indicato sulla targhetta di identificazione del prodotto.
 - Utilizzare sempre una presa di corrente con messa a terra.
 - Scollegare il cavo di alimentazione durante la pulizia o quando l'unità non viene utilizzata.
 - Non operare l'unità con le mani bagnate. Prevenire la fuoriuscita di acqua sull'unità.
 - Non immergere o esporre l'unità a pioggia, umidità o altri liquidi.
 - Non lasciare l'unità in funzione incustodita. Non inclinare o capovolgere l'unità.
 - Non scollegare il cavo di alimentazione mentre l'unità è in funzione.
 - Non scollegare tirando il cavo di alimentazione.
 - Non utilizzare una prolunga o una spina per adattatore.
 - Non appoggiare oggetti sull'unità.
 - Non arrampicarsi o sedersi sull'unità.
 - Non inserire dita o altri oggetti nell'uscita dell'aria.
 - Non toccare l'ingresso dell'aria o le alette di alluminio dell'unità.
 - Non utilizzare l'unità se è caduta, danneggiata o presenta segni di malfunzionamento del prodotto.
- Non pulire l'apparecchio con sostanze chimiche.
- Assicurarsi che l'unità sia lontana da fuoco, oggetti infiammabili o esplosivi
 - L'unità deve essere installata in conformità con le normative nazionali sul cablaggio.
 - Non utilizzare mezzi per accelerare il processo di scongelamento o per pulire, diversi da quelli raccomandati dal produttore.
- L'apparecchio deve essere riposto in una stanza senza fonti di funzionamento continuo (ad esempio: fiamme libere, un apparecchio a gas in funzione o un riscaldatore elettrico in funzione).
- L'apparecchio deve essere riposto in modo da evitare danni meccanici.
- Non tagliare o bruciare l'apparecchio, neppure dopo l'uso.
 - Bisogna tener presente che i refrigeranti potrebbero non contenere odori.
 - Le tubazioni devono essere protette da danni fisici e non devono essere installate in uno spazio non ventilato, se tale spazio è inferiore a 4 m².
- Rispettare le normative nazionali concernente gli apparecchi a gas.
- Mantenere le aperture di ventilazione libere da ostruzioni.
 - L'apparecchio deve essere riposto in un'area ben ventilata in cui le dimensioni dell'ambiente corrispondono all'area dell'ambiente specificato per il funzionamento.



Chiunque lavori su un circuito di refrigerazione deve essere in possesso di un certificato valido rilasciato da un'autorità di valutazione accreditata, che autorizza la propria competenza a gestire i refrigeranti in modo sicuro, conformemente alle specifiche riconosciute in tale settore.



Le riparazioni all'installazione devono essere eseguite solo secondo le raccomandazioni del produttore. La manutenzione e le riparazioni richiedono l'assistenza di personale qualificato e vengono eseguite sotto la supervisione di una persona competente nell'uso di refrigeranti infiammabili.

Se ci sono problemi che non capisci o se hai bisogno di aiuto, contatta il rivenditore autorizzato.

B. PRECAUZIONI DI SICUREZZA SULLA MANUTENZIONE

Si prega di seguire questi avvertimenti durante la manutenzione di un deumidificatore con R290.

i. Controlli nell'area

Prima di iniziare a lavorare su sistemi contenenti refrigeranti infiammabili, sono necessari controlli di sicurezza per garantire che il rischio di accensione sia ridotto al minimo. Per la riparazione del sistema di refrigerazione, devono essere rispettate le seguenti precauzioni prima di eseguire lavori sul sistema.

ii. Procedura di lavoro

I lavori devono essere eseguiti secondo una procedura controllata in modo da ridurre al minimo il rischio di presenza di gas o dei vapori infiammabili durante l'esecuzione del lavoro.

iii. Area di lavoro

Tutto il personale addetto alla manutenzione e le altre persone che lavorano nell'area locale devono essere istruiti sulla natura del lavoro svolto. Il lavoro in spazi ristretti deve essere evitato. L'area intorno allo spazio di lavoro è delimitata. Assicurarsi che gli spazi nell'area sono stati messi in sicurezza mediante il controllo del materiale infiammabile.

iv. Verifica della presenza dell'agente refrigerante

L'area deve essere controllata con un rilevatore di gas refrigerante appropriato prima e durante il lavoro, per garantire che il tecnico sia a conoscenza delle atmosfere potenzialmente infiammabili. Accertarsi che l'attrezzatura per il rilevamento delle perdite utilizzata sia idonea all'identificazione di refrigeranti infiammabili, non produce scintille e sia adeguatamente sigillata.

v. La presenza di estintori

Se si devono eseguire lavori a caldo sull'apparecchiatura di refrigerazione o su qualsiasi parte associata, devono essere disponibili attrezzature antincendio adeguate. Assicurarsi di avere un estintore a polvere o a CO₂ adiacente all'area di lavoro”.

vi. Nessuna fonte di accensione

Nessuna persona che esegue lavori in un sistema di refrigerazione e che è esposta a un refrigerante infiammabile non deve utilizzare fonti di ignizione per evitare il rischio di incendi o esplosioni. Tutte le possibili fonti di ignizione, incluso il fumo, devono essere tenute abbastanza lontane dal luogo di installazione, riparazione, smantellamento e smaltimento dove è possibile rilasciare refrigerante infiammabile. Prima di eseguire i lavori,

l'area intorno all'installazione deve essere controllata per assicurarsi che non vi siano prodotti infiammabili o rischi di ignizione. Verrà utilizzato il cartello "Non fumare"..

vii. Aarea ventilata

Accertarsi che l'area sia aperta o che sia adeguatamente ventilata prima di eseguire interventi sul sistema o eseguire lavori a caldo. Il grado di ventilazione deve continuare durante il periodo di esecuzione dei lavori. La ventilazione dovrebbe disperdere in sicurezza qualsiasi refrigerante rilasciato e preferibilmente espellerlo esternamente nell'atmosfera.

viii. Controlli all'attrezzatura di refrigerazione

In caso di sostituzione di componenti elettrici, questi devono essere idonei allo scopo e alle specifiche corrette. Seguire sempre le linee guida di manutenzione e assistenza del produttore. In caso di dubbi, consultare l'ufficio tecnico del produttore per assistenza..

I seguenti controlli devono essere applicati agli impianti che utilizzano refrigeranti infiammabili:

- La dimensione della carica è conforme alla dimensione della stanza in cui sono installate le parti contenenti refrigerante;
- Le macchine e le prese di ventilazione funzionano correttamente e non sono ostruite;
- Se si utilizza un circuito di refrigerazione indiretto, verificare la presenza di refrigerante nel circuito secondario;
- La marcatura sull'apparecchiatura continua a essere visibile e leggibile.

Contrassegni e segni illeggibili devono essere corretti;

- I tubi o i componenti di refrigerazione sono installati in una posizione in cui è improbabile che siano esposti a qualsiasi sostanza che possa corrodere i componenti contenenti refrigerante, a meno che i componenti non siano costruiti con materiali intrinsecamente resistenti alla corrosione o adeguatamente protetti contro la corrosione.

ix. Controlli ai dispositivi elettrici

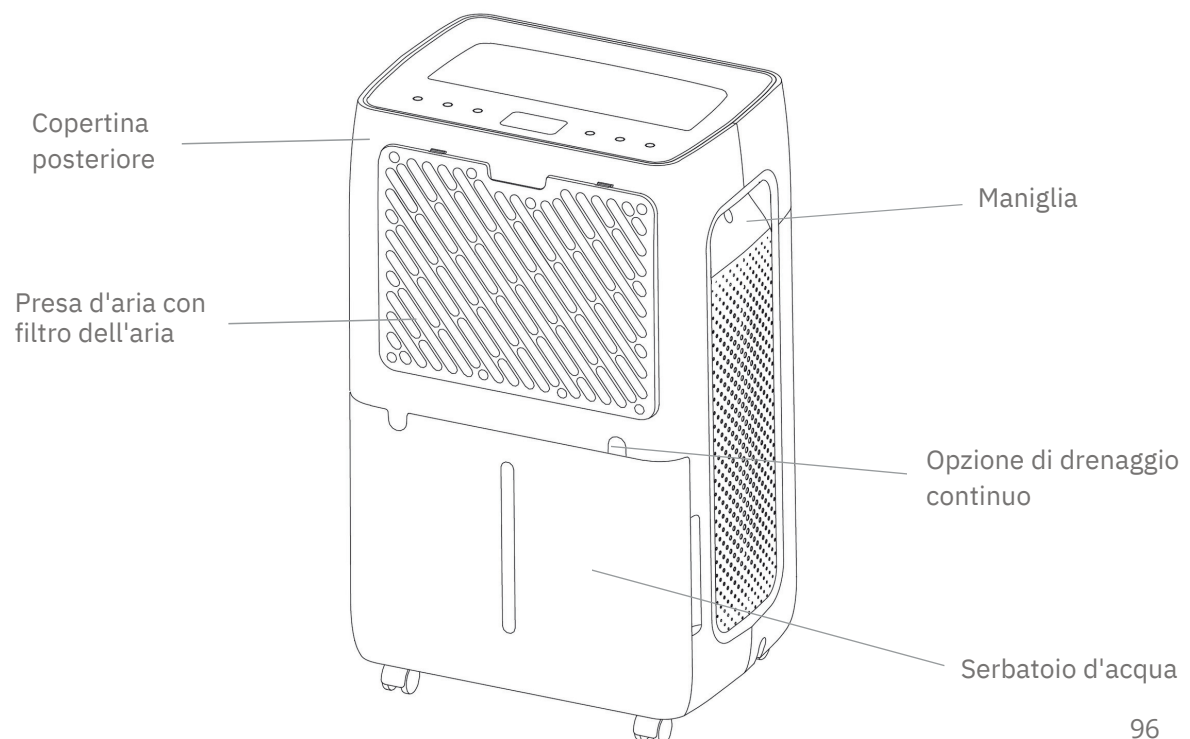
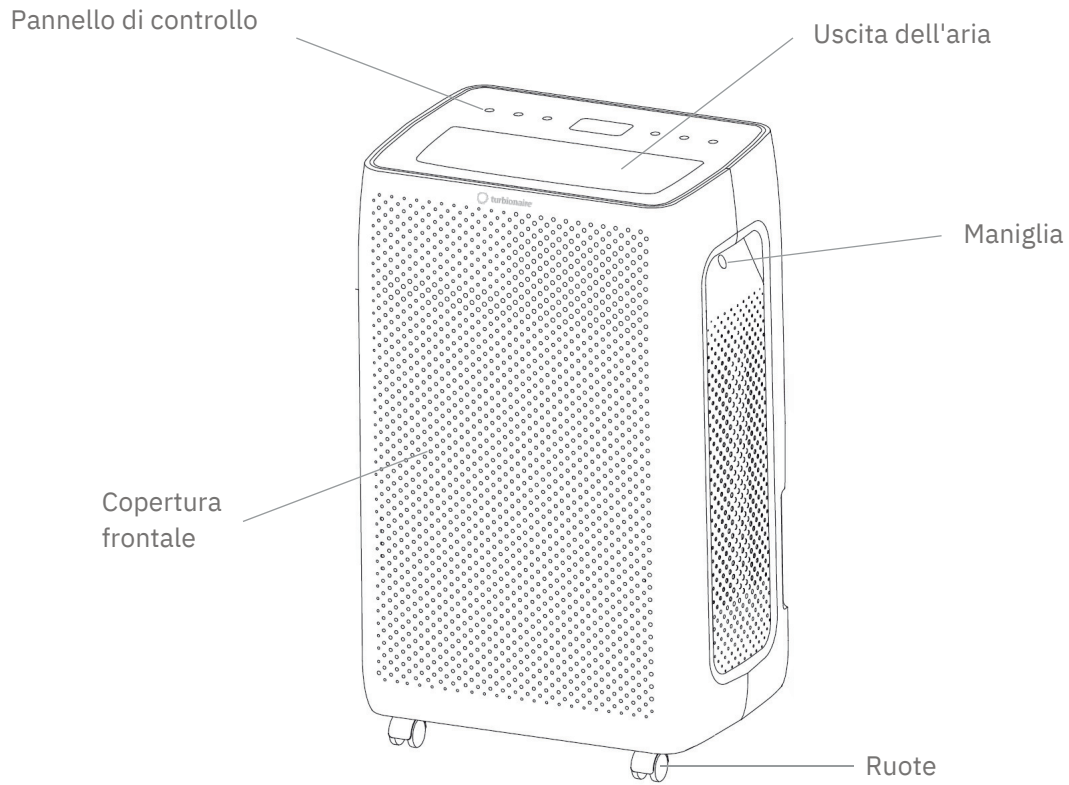
La riparazione e la manutenzione dei componenti elettrici comprendono controlli di sicurezza iniziali e procedure di ispezione dei componenti. Se esiste un guasto che potrebbe compromettere la sicurezza, nessuna alimentazione elettrica deve essere collegata al circuito fino a quando non viene risolto in modo soddisfacente. Se l'errore non può essere corretto immediatamente ma è necessario per continuare il funzionamento, deve essere utilizzata una soluzione temporanea adeguata. Questo deve essere segnalato al proprietario dell'apparecchiatura in modo che tutte le parti siano avvisate.

I controlli di sicurezza iniziali comprendono:

- Tali condensatori sono scaricati: questo deve essere fatto in modo sicuro per evitare le scintille.
- i componenti elettrici e i cavi non sono in tensione anche durante la carica, il recupero o lo spurgo del sistema
- La messa a terra

3. PRESENTAZIONE DEL PRODOTTO

A. VISTA ANTERIORE E POSTERIORE



B. CARATTERISTICHE

- Funzione di oscillazione automatica
- Monitoraggio e visualizzazione dell'umidità attuale
- La modalità automatica regola automaticamente i livelli di umidità
- Timer 24 ore per impostare l'orario di funzionamento
- Rimuove umidità e polvere dall'aria
- Basso consumo energetico ed efficienza energetica
- Ventola silenziosa con due impostazioni di velocità
- Sbrinamento automatico a bassa temperatura
- Spegnimento automatico/riavvio automatico
- Potente rimozione dell'umidità
- App Controllo tramite WIFI (per modelli dotati di questa funzione)
- Controllo touch Funzione asciugatura bucato (Modalità Continua)
- Filtro Antipolvere
- Drenaggio continuo
- Serbatoio dell'acqua da 4,5 litri

C. SPECIFICHE TECNICHE

MODELLO	SENSO N20
Capacità di deumidificazione	20 L/giorno (30°C, 80%)
Alimentazione	CA 220-240 V/50 Hz
Consumo energetico	330 W/2,3 A
Rumore	≤ 41 dB(A)
Capacità serbatoio acqua	4,5 litri
Peso netto	13,5 kg
Dimensioni minime della stanza	4 m ² (superficie del pavimento)

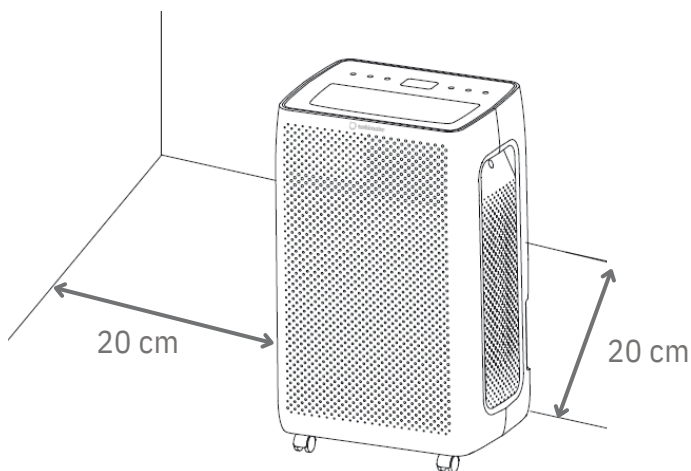
4. INSTALLAZIONE

A. POSIZIONAMENTO DEL DEUMIDIFICATORE

Posizionare l'unità su una superficie stabile e piana in un'area con almeno 30 cm di spazio libero attorno per consentire una corretta circolazione dell'aria.

Non installare mai l'unità dove potrebbe essere soggetta a:

- Fonti di calore come radiatori, stufe o altri prodotti che producono calore.
- In un'area in cui potrebbe essere spruzzato olio o acqua.
- La luce diretta del sole
- Vibrazioni meccaniche o urti
- Polvere eccessiva
- Mancanza di ventilazione, ad esempio armadio o libreria
- Superficie irregolare



ATTENZIONE

Installare l'unità in stanze che superano i 4 m².
Non installare l'unità in un luogo in cui potrebbero fuoriuscire gas infiammabili.



NOTA

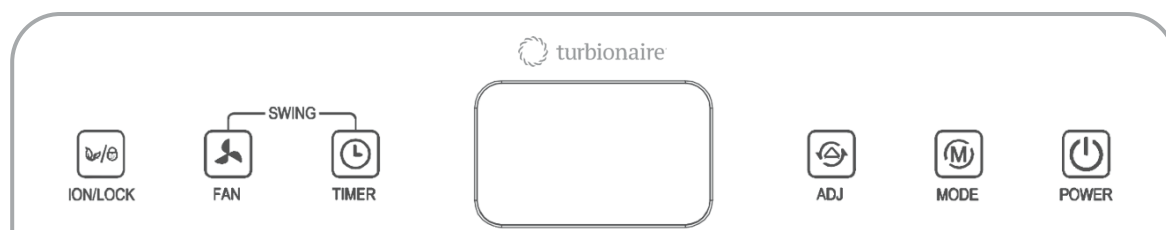
Il produttore può fornire altri esempi adatti o ulteriori informazioni sull'odore del refrigerante.

B. AZIONARE IL DISPOSITIVO IN MODO SICURO

- Check Controllare il dispositivo dopo averlo disimballato per eventuali danni o graffi su di esso.
- Azionare questa unità a temperatura ambiente da 5°C a 38°C.
- Non utilizzare all'aperto. Questo deumidificatore è destinato esclusivamente ad applicazioni residenziali in interni.
- Non operare in prossimità di pareti, tende o altri oggetti che potrebbero bloccare l'ingresso e l'uscita dell'aria.
- Mantenere l'ingresso e l'uscita dell'aria liberi da ostacoli.
- Regolare il deflettore del vento nella direzione verso l'alto prima dell'avvio.
- Se inclinato di oltre 45°, lasciare che l'unità rimanga in posizione verticale per almeno 24 ore prima dell'avvio.
- Tenere chiuse porte e finestre per un migliore risparmio energetico.
- Non utilizzare o conservare l'unità alla luce diretta del sole o alla pioggia.
- È normale che l'uscita dell'aria sia calda dopo un funzionamento continuo nelle giornate calde.
- Svuotare il serbatoio dell'acqua prima di spostare il dispositivo.
- Accertarsi che il serbatoio dell'acqua sia installato correttamente, altrimenti l'unità non funzionerà correttamente.
- Il deumidificatore si avvia nella modalità selezionata all'ultimo utilizzo dell'unità.
- Il deumidificatore inizia la deumidificazione se l'umidità della stanza è del 3% superiore all'umidità selezionata.
- C'è un ritardo di 3 minuti al termine del quale il compressore riprende a funzionare. Attendere 3 minuti affinché il deumidificatore riprenda la deumidificazione.

5. FUNZIONAMENTO

Pannello di controllo



Pulsante POWER - Toccare questo pulsante per accendere o spegnere l'unità.

Pulsante MODE: toccare questo pulsante per scegliere la modalità Auto, Sleep o Deumidificazione continua.

Pulsante ADJ: toccare questo pulsante per regolare il livello di umidità e scegliere l'ora del timer.

Pulsante TIMER - Toccare questo pulsante per impostare un orario in cui l'unità si avvierà o si spegnerà automaticamente.

Per attivare il WiFi (per i modelli dotati di questa funzione), toccare il pulsante TIMER per almeno 5 secondi. L'indicatore WiFi sul display inizierà a lampeggiare.

Pulsante VELOCITÀ della ventola: toccare questo pulsante per selezionare la velocità della ventola tra alta e bassa.

Pulsante ION/LOCK (per modelli non dotati di funzione di ionizzazione) - Toccare questo pulsante per attivare o disattivare la funzione di purificazione dell'aria dello ionizzatore. Toccare a lungo questo pulsante per attivare o disattivare la funzione Blocco bambini.

SWING - Premere contemporaneamente i pulsanti TIMER e FAN per avviare la funzione Swing.

Display - Visualizza il valore di umidità, l'impostazione del timer, la temperatura e altre informazioni.



POWER

Pulsante POWER - In standby, toccare il pulsante Power per accendere il deumidificatore, il funzionamento

l'indicatore si accende, la velocità della ventola predefinita è elevata e l'umidità predefinita è del 50%. Nello stato di accensione, premere il pulsante di accensione per spegnere, la spia di funzionamento si spegne e il compressore si ferma immediatamente, quindi la ventola si spegne dopo un ritardo di 30 secondi.




MODE

Pulsante MODALITÀ: toccare il tasto Modalità per alternare tra la modalità Automatica, Sospensione e Deumidificazione continua.

- Modalità automatica: quando l'umidità ambientale \geq imposta l'umidità al 3%, la ventola inizia a funzionare e

il compressore inizia a funzionare dopo 3 secondi. Quando l'umidità ambientale \leq umidità impostata al 3%, il compressore smette di funzionare e la ventola smette di funzionare dopo un ritardo di 30 secondi.

Toccare il pulsante ADJ  per regolare il livello di umidità dal 30% all'80% in modalità automatica.

Sia la velocità della ventola che l'umidità possono essere regolate in modalità automatica.


- **Modalità di deumidificazione continua:** l'unità continua a funzionare ad alta velocità, la velocità della ventola può essere modificata regolata, l'umidità non può essere regolata.

- Modalità Sleep: toccare il pulsante Sleep, il pulsante si illumina e avvia la funzione sleep, predefinita l'umidità è del 60%. Se il pannello di controllo non viene utilizzato entro 10 secondi, tutti gli indicatori si spengono gradualmente e la velocità della ventola passa automaticamente da alta a bassa. Toccare nuovamente il pulsante SLEEP per uscire dalla modalità di sospensione. Sia la velocità della ventola che l'umidità possono essere regolate in modalità sospensione. Toccare nuovamente il pulsante MODE per uscire dalla modalità SLEEP.



Pulsante TIMER

Toccare il pulsante TIMER per impostare la funzione di temporizzazione 00-24 ore.

Il pannello del display "00" lampeggia e mostrerà l'ora del timer. Toccare il pulsante ADJ  per aumentare il valore 1 ora, il valore visualizzato sul display.

Nello stato di funzionamento, utilizzare la funzione timer per spegnere regolarmente la macchina.

Nello stato di standby, utilizzare la funzione timer per accendere regolarmente la macchina.

Impostare l'ora su "00" per annullare la funzione di temporizzazione.

Toccare a lungo il pulsante TIMER per 5 secondi per attivare la funzione Wi-Fi, fare riferimento alle istruzioni Wi-Fi nelle ultime pagine (per i modelli dotati di questa funzione).



Pulsante VELOCITÀ VENTOLA - Ciclo di velocità della ventola alta/bassa. Toccare il pulsante una volta per cambiare, quindi l'indicatore corrispondente si accende. Nella modalità di asciugatura continua e nel periodo di sbrinamento, la velocità della ventola non può essere modificata.



Modalità OSCILLAZIONE - Toccare contemporaneamente i pulsanti VENTOLA e TIMER per avviare la funzione di oscillazione automatica, premerlo di nuovo per interrompere la funzione di oscillazione.



Pulsante ION/LOCK: toccare questo pulsante per attivare o disattivare la funzione di purificazione dell'aria dello ionizzatore.

Premere a lungo questo pulsante per attivare o disattivare la funzione di blocco bambini.

Allarme serbatoio acqua pieno

Indicatore del serbatoio dell'acqua: quando il serbatoio è pieno per 5 secondi, imposta l'allarme.

L'indicatore del serbatoio dell'acqua diventa rosso e l'unità emette un segnale acustico per 5 volte.

Cancella l'allarme: quando il ronzio è attivo, tocca un pulsante qualsiasi per interromperlo. La ventola del compressore si spegne e tutte le funzioni si congelano finché il serbatoio non viene svuotato e riportato nella posizione corretta.

A. Drenaggio

Esistono due modi per rimuovere l'acqua raccolta prodotta dall'unità.

a) Scarico manuale: il serbatoio dell'acqua viene rimosso manualmente.

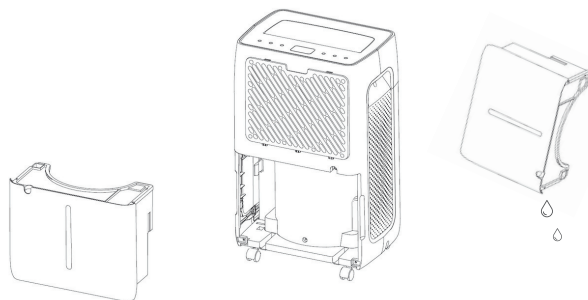
b) Drenaggio continuo: collegare un tubo di scarico all'unità in modo che l'acqua di condensa venga drenata per gravità.

B. Svuotamento del serbatoio dell'acqua

L'unità si spegnerà una volta che il serbatoio dell'acqua sarà pieno. Funzionerà di nuovo dopo aver svuotato il serbatoio dell'acqua e averlo reinstallato correttamente. Quando il serbatoio è pieno, l'unità emette un ronzio e il LED "Acqua piena" si accende.

- Toccare il pulsante POWER per spegnere l'unità.

- Tirare il serbatoio dell'acqua e sfilarlo dal corpo del deumidificatore.
- Svuotare l'acqua in un'area dotata di scarico o all'esterno.
- Pulire l'interno del serbatoio, se necessario, così come l'esterno.
- Replace the empty tank back into the unit.
- Press the POWER button to restart the unit.
- If the "Water Full" LED is still on, check if the water tank float is correctly placed and free from any blocking.
- If the Water Full light does not extinguish, check that the float is correctly in place.



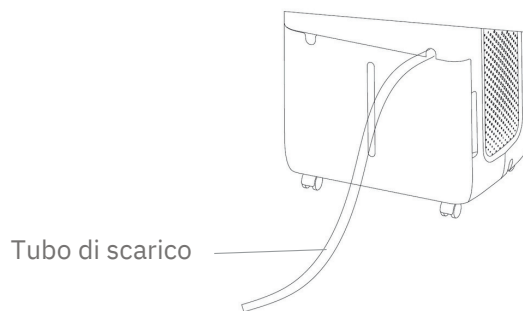
Avvertimento

1. Non gettare i magneti del serbatoio dell'acqua e i rivetti in plastica. Altrimenti, l'unità non smetterà automaticamente di funzionare quando il serbatoio dell'acqua è pieno e l'acqua di condensa traboccherà danneggiando il pavimento della stanza. Assicurarsi di pulire l'acqua di condensa nel serbatoio dell'acqua prima di ripristinare la modalità di funzionamento della macchina.
2. Se il serbatoio dell'acqua è sporco, sciacquarlo con acqua pulita. Evitare l'uso di detersivi, sfere d'acciaio, depolveratori chimici, gasolio, benzene, diluenti o altri solventi. In caso contrario, il serbatoio dell'acqua verrà danneggiato e perderà.
3. Riposizionare il serbatoio vuoto nell'unità. In caso contrario, l'indicatore pieno d'acqua potrebbe rimanere rosso e l'unità non potrà riavviarsi.

C. Drenaggio continuo

Per il funzionamento continuo o la deumidificazione incustodita, collegare il tubo di scarico all'unità. La condensa viene scaricata liberamente in un secchio o in un foro di drenaggio usando la gravità.

- Posizionare l'unità su una superficie orizzontale e stabile.
- Spegnerne l'unità prima di metterla in funzione.



- Collegare saldamente e correttamente il tubo di scarico e assicurarsi che non sia ostruito.
- Collocare l'estremità del tubo di scarico in un foro di drenaggio o in un secchio e assicurarsi che l'acqua possa defluire liberamente dall'unità.
- Non immergere l'estremità del tubo in acqua; altrimenti può causare "Air Lock" (blocco dell'aria) nel tubo.

Per evitare la fuoriuscita di acqua:

- Poiché la pressione negativa della vaschetta di scarico della condensa è elevata, inclinare il tubo di scarico verso il basso verso il pavimento. È opportuno che il grado di inclinazione superi i 20 gradi.
- Raddrizzare il tubo per evitare la flessione.

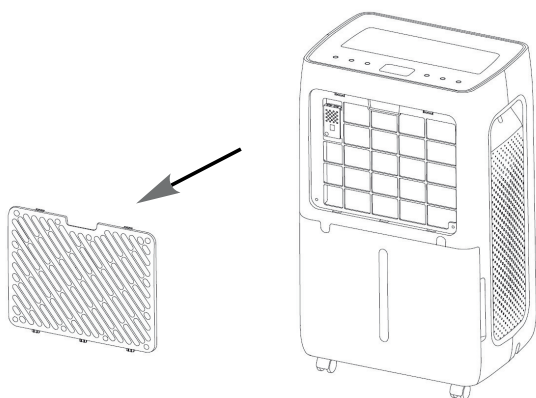
6.MANUTENZIONE

PULIRE IL FILTRO DELL'ARIA

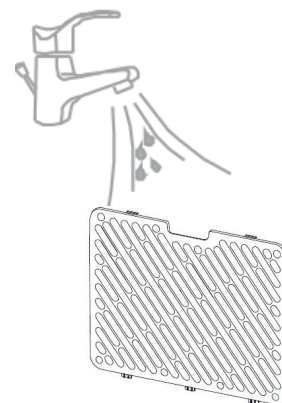
Pulire il filtro almeno due volte al mese o quando necessario. I depositi accumulati su un filtro sporco possono essere assorbiti dal ventilatore, quindi rimanere attaccati all'evaporatore, al condensatore e ad altri componenti all'interno dell'unità, il che può ridurre l'efficienza dell'unità e portare a vari malfunzionamenti che non sono coperti dalla garanzia.

Se si trovano depositi all'interno dell'unità, contattare il servizio di assistenza autorizzato più vicino per la pulizia professionale. Non eseguire operazioni di pulizia interna (diverse dalla pulizia e dal lavaggio del filtro lavabile) da soli. Contattare sempre personale tecnico qualificato.

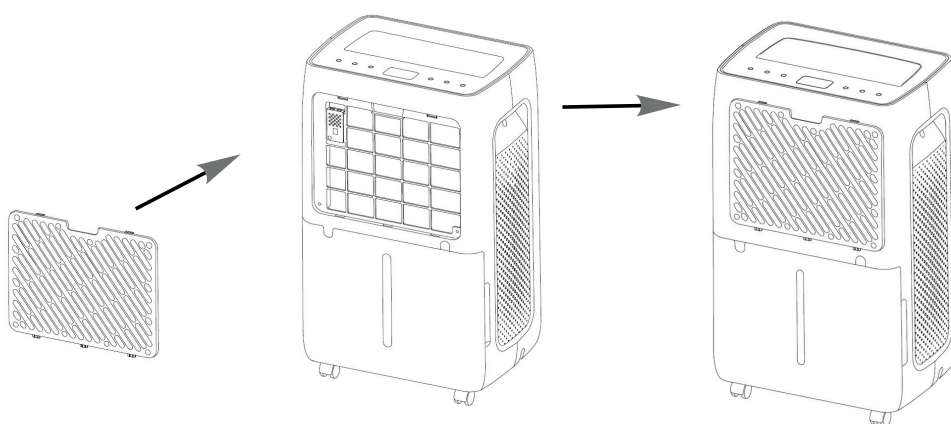
a) Rimuovere la griglia del filtro e togliere il filtro.



b) Utilizzare un aspirapolvere per assorbire delicatamente la polvere sulla superficie del filtro. Immergere il colino in acqua calda a circa 40 gradi Celsius. Se il filtro è molto sporco, lavarlo con acqua e un detergente delicato e asciugarlo accuratamente.



c) Riposizionare il filtro nella sua posizione iniziale, che si trova nella parte posteriore dell'unità.



7. RISOLUZIONE DEI PROBLEMI

A. FUNCTIONING DI FUNZIONAMENTO

5°C ≤ Temperatura ambiente ≤ 38°C Quando la temperatura ambiente è inferiore o superiore alla temperatura di funzionamento, il deumidificatore si arresta.

When 5°C ≤ Temperatura Ambiente ≤ 16°C, il compressore si scongela automaticamente a determinati intervalli; durante lo sbrinamento, il compressore si arresta e la ventola continua a funzionare.

B. PRIMA DI CHIAMARE L'ASSISTENZA

Prima di contattare l'assistenza professionale, consultare l'elenco di risoluzione dei problemi che include eventi comuni che non sono il risultato di un difetto nella lavorazione nei materiali.

Problem	Possible Cause	Solution
Non funziona	Nessuna alimentazione	Collegarsi ad una presa funzionante e accendere.
Cattivo funzionamento	L'indicazione di acqua piena lampeggia	Svuotare il serbatoio dell'acqua e reinserirlo nell'unità.
	Temperatura ambiente <5°C o >38°C	Autoprotezione progettata per proteggere l'unità. Non è possibile lavorare a tale temperatura.
	Il filtro dell'aria è intasato?	Pulire il filtro dell'aria come indicato
Nessuna presa d'aria	Il condotto di aspirazione o il condotto di scarico sono ostruiti?	Rimuovere l'ostruzione dal condotto di scarico o dal condotto di aspirazione.
	Il filtro dell'aria è intasato?	Lavare il filtro
L'unità emette rumori durante il funzionamento	L'unità è posizionata su una superficie piana e orizzontale	Posizionare l'unità correttamente
	Il filtro è bloccato?	Pulire il filtro
E1/ E2	Problema con il sensore di umidità	Cambiare il sensore
LO	Environmental humidity is below 20%	Il deumidificatore si spegne per autotutela
HI	Environmental humidity is above 90%	
CL	Low temperature protection, the environmental temperature <5°C	
CH	High temperature protection, the environmental temperature >38°C	

8. SMALTIMENTO DEL PRODOTTO

8.1 STOCCAGGIO

Conservazione a lungo termine – Se non si intende utilizzare l'unità per un lungo periodo di tempo (più di alcune settimane), è meglio pulire l'unità e asciugarla completamente. Conservare l'unità per i seguenti passaggi:

- a) Premere il pulsante di accensione per spegnere e scollegare l'unità.
- b) Scaricare l'acqua rimanente dall'unità.
- c) Pulire il filtro e lasciarlo asciugare completamente in un'area ombreggiata.
- d) Avvolgere il cavo di alimentazione.
- e) Reinstallare il filtro nella sua posizione.
- f) L'unità deve essere mantenuta in posizione verticale durante lo stoccaggio.
- g) Preservare l'unità in luoghi ventilati, asciutti, non corrosivi e sicuri.

ATTENZIONE: L'evaporatore all'interno del deumidificatore, dovrebbe essere asciugata prima dell'imballaggio per evitare danni ai componenti e la crescita di muffe. Scollegare l'unità e posizionarla in uno spazio aperto e asciutto per giorni per asciugare bene. Un altro modo per asciugare l'unità è impostare il livello di umidità al 5% sopra l'umidità ambientale, per forzare la ventola ad asciugare l'evaporatore per alcune ore.

8.2 SMALTIMENTO

AVVERTIMENTO!!!



Non rilasciare il refrigerante in atmosfera. È severamente vietato! Non gettare le apparecchiature elettriche tra i rifiuti urbani non differenziati. Utilizzare strutture di raccolta separate. Contattare il governo locale per informazioni relative ai sistemi di raccolta disponibili. Se gli apparecchi elettrici vengono smaltiti insieme ai rifiuti domestici, le sostanze pericolose possono penetrare nelle acque sotterranee, danneggiando la salute e il benessere delle persone.

Per Turbionaire WEE/ Imballaggio/ Batteria nell'UE

Si prega di scansionare qui il codice QR



Grazie per aver scelto Turboonaire!

Per una consulenza esperta sui tuoi elettrodomestici Turbionaire, assistenza o riparazioni, contattaci all'indirizzo www.turbionaire.com/warranty.

Altri dettagli aggiuntivi su questo prodotto:

- Informazione
- Specifiche tecniche
- Etichetta energetica

consultabile accedendo www.turbionaire.com

Produttore e importatore:

SC Intax Trading SRL - Str. Ione Creanga n. 14B, 075100, Otopeni, Ilfov, Romania. Tel (+40) 318 246 246 Fax (+40) 214 203 151
office@intaxtrading.com www.intaxtrading.com

SMART LIFE - MANUALE D'USO DELL'APP DI SENSO N20

L'app "Smart Life" è disponibile per Android e iOS.
Scansiona con il tuo smartphone il codice QR corrispondente per arrivare direttamente al download.



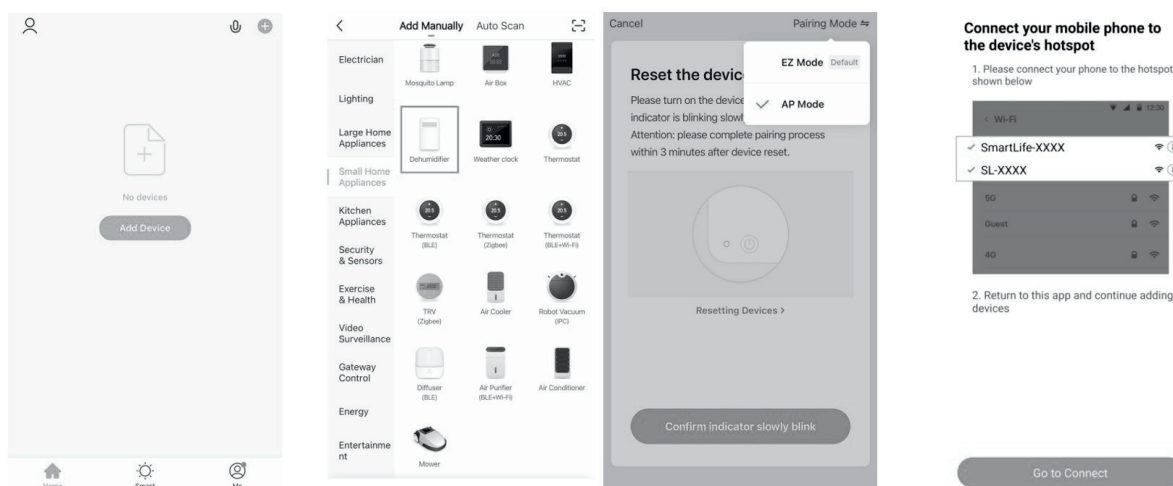
Come utilizzare l'app

Questo apparecchio consente di far funzionare l'apparecchio tramite la rete domestica WIFI. Un prerequisito è una connessione WIFI permanente al router e l'app gratuita "Smart Life". Si consiglia di scollegare l'apparecchio dalla rete elettrica quando si è fuori casa per evitare accensioni involontarie durante il viaggio!

Messa in servizio tramite app

1. Installa l'app "Smart Life". Crea un account utente.
2. Attivare la funzione WIFI nelle impostazioni del proprio apparecchio - toccare il pulsante TIMER per almeno 5 secondi
3. Posizionare l'apparecchio a una distanza di circa 5 metri dal router.
4. Finché l'alimentazione è accesa, l'indicatore WIFI lampeggia lentamente. Dopo 3 minuti, lo stato sarà annullato se non è presente alcuna configurazione di rete e la spia è spenta. Se è necessario ricollegare il WIFI, longtouch il pulsante "TIMER" per 5 secondi per avviare la configurazione di rete, l'indicatore WIFI lampeggia lentamente.
5. Quando l'indicatore WIFI lampeggia lentamente, selezionare "Aggiungi dispositivo"-"Piccoli elettrodomestici"-"Deumidificatore" e segui le istruzioni sull'app Smar Life. Seleziona "Modalità AP" in alto a destra dell'app, scegli "Conferma indicatore lampeggia lentamente" e premi "Vai a Connetti" per connettere il WIFI chiamato "SmartLife-XXXX".
- 6 Se l'indicatore WIFI lampeggia rapidamente, può essere collegato direttamente.
7. Una volta che l'apparecchio è stato connesso con successo, la spia WIFI si accende. Ora puoi utilizzare il apparecchio utilizzando l'app.
8. Tenere premuto il pulsante TIMER per circa 5 secondi, l'apparecchio si disconnette e l'indicatore WIFI si spegne.

Connessione alternativa tramite Bluetooth - Apri il Bluetooth del tuo cellulare o altro dispositivo. Quando l'indicatore WIFI lampeggia, aprire l'APP "Smart Life", l'unità si collegherà automaticamente tramite Bluetooth



RISOLUZIONE DEI PROBLEMI

Connessione di rete non riuscita	Soluzione
Timeout della connessione di rete	<ol style="list-style-type: none"> 1. Verificare di aver selezionato il WIFI denominato "SmartLife-XXXX". 2. Spegnerne la macchina e scollegare il codice di alimentazione e il plug-in dopo 10 secondi, accedere all'app per connettersi di nuovo.
Indicatore WIFI spento	Premere a lungo il pulsante "Timer" o spegnere la macchina e scollegare il codice di alimentazione e il plug-in dopo 10 secondi.
L'hotspot WIFI scompare e la spia WIFI lampeggia	Spegnerne la macchina e scollegare il codice di alimentazione e il plug-in dopo 10 secondi, accedere all'App per connettersi di nuovo.

HU:TARTALOM

1.	ELŐZETES MEGÁLLAPÍTÁSOK	107
2.	AZ ÖN BIZTONSÁGÁÉRT	109
3.	A TERMÉK ÁTTEKINTÉSE	112
4.	TELEPÍTÉS	114
5.	MŰKÖDÉS	115
6.	KARBANTARTÁS	118
7.	HIBAELHÁRÍTÁS	119
8.	LESZERELÉS	120
9.	SMART LIFE APP	121

Köszönjük, hogy párátlanítónkat választotta.

Használat előtt feltétlenül olvassa el figyelmesen ezt a kézikönyvet.

Kérjük, gondosan őrizze meg ezt a kézikönyvet további hivatkozás céljából!

1. ELŐZETES MEGÁLLAPÍTÁSOK

Kérjük, a páratlanító első használata előtt figyelmesen olvassa el a használati utasítást.

A. TERMÉKLEÍRÁS

A páratlanító a felesleges nedvesség eltávolítására szolgál a levegőből. A páratartalom csökkentése megvédi az épületeket és a bennük lévő tárgyakat a nedvesség káros hatásaitól. Az R290 termék környezetbarát és hűtőközegként használható. Az R290 nincs negatív hatással az ózonrétegre (ODP) vagy az üvegházhatásra (GWP), és világszerte elérhető. Hatékony energetikai tulajdonságainak köszönhetően az R290 az adott helyzetben kiválóan alkalmas hűtőfolyadék. Különleges óvintézkedéseket kell azonban figyelembe venni a hűtőközeg magas gyúlékonysága miatt.

B. AZ EGYSÉGEN ÉS A KÉZIKÖNYVBEN HASZNÁLT SZIMBÓLUMOK



Figyelem!

Ez a készülék hűtőközeget használ.
Ha a hűtőközeg szivárog, és lánggal vagy hőforrással érintkezik, akkor káros gázok keletkeznek, és tűzveszély áll fenn.



Használat előtt figyelmesen olvassa el a használati útmutatót.



További információk találhatóak a FELHASZNÁLÓI ÚTMUTATÓBAN és a SZERVIZ KÉZIKÖNYVBEN.



A készülék üzembe helyezése előtt a szervizelést végző személyeknek figyelmesen el kell olvasniuk a FELHASZNÁLÓI ÚTMUTATÓT és a SZERVIZKÖNYVET.

C. MINDIG FIGYELJEN AZ ALÁBBI INFORMÁCIÓKRA

- Ez a készülék szakképzett vagy szakképzett felhasználóknak, üzletekben, könnyűiparban és gazdaságokban, valamint otthoni felhasználóknak készült.
- Ezt a készüléket 8 évnél idősebb gyermekek és fogyatékkal élők használhatják

csökkent fizikai, érzékszervi vagy mentális, vagy tapasztalat és tudás hiánya, feltéve, hogy a biztonságukért felelős felnőtt felügyelete alatt állnak, vagy ha utasításokat kapnak az egység használatára vonatkozóan.

Ez a készülék nem játék. A három év alatti gyermekeket folyamatosan felügyelni kell, és

- távol kell tartani tőle.
- A készülék tisztítását és karbantartását gyermekek nem végezhetik.
- Az egység csak R290 (propán) gázzal használható hűtőközegként.
- A hűtőkör tömített. A hűtőkör javítását csak szakképzett személy végezheti.
- Ne engedje ki a hűtőközeget a légkörbe.
- Az R290 (propán) gyúlékony és a levegőnél nehezebb.
- Az R290 a talaj szintjén azonosítható, de ventilátorral is keringethető.
- Ha propángáz jelenlétét gyanítja, ne engedje, hogy szakképzetlen személyek megpróbálják megjavítani a berendezést.
- A készülék beszereléséhez használt propángáz szagtalan.
- A szag hiánya nem jelzi a kipufogógázok hiányát.
- Ha szivárgást észlel, azonnal evakuálja az összes személyt a területről, szellőztesse ki a helyiséget, és értesítse őket a tűzoltóságról a propánszivárgásról.
- Ne engedjen senkit visszatérni a helyiségbe, amíg a technikus meg nem érkezik, és figyelmeztetik, hogy biztonságosan visszatérhet az érintett területre.
- Tilos nyílt lángot, cigarettát vagy más lehetséges gyújtóforrást használni a készülékben vagy annak közelében.
- Az alkatrészeket kifejezetten propángázzal való használatra tervezték.
- Az alkatrészeket csak azonos pótalkatrészekre cserélik.

A BIZTONSÁGI UTASÍTÁSOK ELLENŐRZÉSE NÖVELI A ROBBANÁS, HALÁL, SÉRÜLÉS ÉS TÁRGYI KÁR VESZÉLYÉT.



Figyelem!



2. AZ ÖN BIZTONSÁGÁÉRT



Az Ön biztonsága a legfontosabb számunkra!

Kérjük, figyelmesen olvassa el ezt a kézikönyvet, és értse meg teljesen, mielőtt a párátlanítót üzembe helyezné.

A. ÜZEMELTETÉSI ÓVINTÉZKEDÉSEK

FIGYELMEZTETÉS: a tűz, áramütés, illetve személyi vagy anyagi sérülés kockázatának csökkentése érdekében:

- Ha a tápkábel megsérült, a veszély elkerülése érdekében a gyártónak, annak szervizképviselőének vagy hasonlóan képzett személynek ki kell cserélnie.
- Karbantartás közben a készüléket le kell választani az áramforrásról.
- A készüléket mindig ugyanolyan feszültségű, frekvenciájú és névleges áramforrásról üzemeltesse, ahogyan a termék adattábláján szerepel.
- Mindig földelt konnektort használjon.
- Tisztításakor vagy használaton kívül húzza ki a tápkábelt.
- Ne dolgozzon nedves kézzel. Ügyeljen arra, hogy ne folyjon víz a készülékre.
- Ne merítse víz alá, és ne tegye ki a készüléket esőnek, nedvességnek vagy más folyadéknak.
- Ne hagyja felügyelet nélkül működő egységet. Ne döntse meg vagy fordítsa meg az egységet.
- Ne húzza ki a konnektorból, amíg a készülék működik.
- Ne a tápkábelnél fogva húzza ki.
- Ne használjon hosszabbítót vagy adapterdugót.
- Ne tegyen tárgyakat a készülékre.
- Ne másszon fel vagy üljön rá a készülékre.
- Ne dugja ujjait vagy más tárgyat a levegőkimenetbe.
- Ne érintse meg az egység levegőbemenetét vagy alumínium bordáit.
- Ne működtesse a készüléket, ha leesett, megsérült vagy a termék hibás működésére utaló jeleket mutat.
- Ne tisztítsa a készüléket semmilyen vegyszerrel.
- Győződjön meg arról, hogy az egység távol van tűztől, gyúlékony vagy robbanásveszélyes tárgyaktól.
- Az egységet a nemzeti huzalozási előírásoknak megfelelően kell telepíteni.
- Ne használjon olyan eszközöket a leolvasztási folyamat felgyorsítására vagy a tisztításra, amelyeket a gyártó javasol.
- A készüléket olyan helyiségben kell tárolni, ahol nincsenek folyamatosan működő források (például: nyílt láng, működő gázkészülék vagy működő elektromos fűtőttest).
- A készüléket úgy kell tárolni, hogy elkerülje a mechanikai sérüléseket.
- Ne darabolja vagy égesse el, még használat után sem.
- Ügyeljen arra, hogy a hűtőközegek nem tartalmazhatnak szagot.
- A csővezetékeket védeni kell a fizikai sérülésektől, és nem szabad szellőzetlen térben elhelyezni, ha ez a tér kisebb, mint 4 m².
- Be kell tartani a nemzeti gázszabályozást.
- A szükséges szellőzőnyílásokat tartsa távol az akadályoktól.
- A készüléket jól szellőző helyen kell tárolni, ahol a helyiség mérete megfelel a működésre előírt helyiségnek.



Minden olyan személynek, aki részt vesz a hűtőközeg-körön végzett munkában vagy annak feltörésében, rendelkeznie kell egy, az iparágban akkreditált értékelésből származó érvényes tanúsítvánnyal.

hatóság, amely felhatalmazza kompetenciájukat a hűtőközegek biztonságos kezelésére egy iparági, elismert értékelési előírás szerint.



A szervizelést csak a berendezés gyártója által javasolt módon szabad elvégezni.

A más szakképzett személyzet segítségét igénylő karbantartást és javítást a gyúlékony hűtőközegek használatában jártas személy felügyelete mellett kell elvégezni.

Ha valamit nem ért, vagy segítségre van szüksége, kérjük, forduljon a márkaszervizhez.

B BIZTONSÁGI ÓVINTÉZKEDÉSEK A SZERVIZTEL SORÁN

Kérjük, kövesse ezeket a figyelmeztetéseket, amikor a következőket kell tennie egy R290-es párátlanító szervizeléskor.

én. A terület ellenőrzése A gyúlékony hűtőközegeket tartalmazó rendszereken végzett munka megkezdése előtt biztonsági ellenőrzéseket kell végezni, hogy a gyulladás veszélye minimális legyen. A hűtőrendszer javítása során a következő óvintézkedéseket kell betartani a rendszeren végzett munkák előtt.

ii. Munkavégzés A munkát ellenőrzött eljárás szerint kell végezni, hogy minimálisra csökkentsék annak kockázatát, hogy a munkavégzés során gyúlékony gáz vagy gőz jelen legyen.

iii. Általános munkaterület Az összes karbantartó személyzetet és a helyi területen dolgozó másokat tájékoztatni kell az elvégzett munka jellegéről. Kerülni kell a zárt térben végzett munkát. A munkaterület körüli területet le kell választani. Győződjön meg arról, hogy a területen belül a körülményeket biztonságossá tették a gyúlékony anyagok ellenőrzésével.

iv. Hűtőközeg jelenlétének ellenőrzése A munkavégzés előtt és közben megfelelő hűtőközeg-érzékelővel ellenőrizni kell a területet, hogy a technikus tisztában legyen a potenciálisan gyúlékony légkörrel. Győződjön meg arról, hogy a használt szivárgásérzékelő berendezés alkalmas gyúlékony hűtőközegekkel való használatra, azaz szikramentes, megfelelően tömített vagy gyújtószikramentes.

v. Tűzoltó készülék megléte Ha a hűtőberendezésen vagy bármely kapcsolódó alkatrészén hőmunkát kell végezni, megfelelő tűzoltó berendezést kell kéznél tartani. A töltési terület mellett legyen szárazpor vagy CO₂ tűzoltó készülék.

vi. Gyújtóforrás tilos. Senki, aki olyan hűtőrendszerrel kapcsolatos munkát végez, amely során gyúlékony hűtőközeget tartalmazó vagy tartalmazott csővezetéseket tesz közzé, nem használhat olyan gyújtóforrást, amely tűz- vagy robbanásveszélyt okozhat. Minden lehetséges gyújtóforrást, beleértve a dohányzást is, kellően távol kell tartani a telepítés, javítás, eltávolítás és ártalmatlanítás helyétől, amely során gyúlékony hűtőközeg

esetleg kiengedhető a környező térbe. A munka megkezdése előtt a berendezés körüli területet fel kell mérni, hogy megbizonyosodjon arról, hogy nincs tűzveszélyes vagy gyulladási veszély. „Dohányozni tilos” táblákat kell kihelyezni.

vii. Szellőztetett terület Győződjön meg arról, hogy a terület szabadban van, vagy megfelelően szellőztetett, mielőtt betörne a rendszerbe vagy bármilyen meleg munkát végezne. A munkavégzés időtartama alatt bizonyos fokú szellőzést kell biztosítani. A szellőztetésnek biztonságosan el kell oszlatnia a felszabaduló hűtőközeget, és lehetőleg kívülről kell kivezetnie a légkörbe.

viii. A hűtőberendezés ellenőrzése Ha elektromos alkatrészeket cserélnek, azoknak meg kell felelniük a célnak és a megfelelő specifikációnak. Mindig be kell tartani a gyártó karbantartási és szervizelési irányelveit. Ha kétségei vannak, kérjen segítséget a gyártó műszaki osztályától. A következő ellenőrzéseket kell alkalmazni a gyúlékony hűtőközeget használó berendezésekre:

- A töltet mérete összhangban van a helyiség méretével, amelyben a hűtőközeg található

tartalmaz részek vannak felszerelve;

- A szellőztető gépek és a kimenetek megfelelően működnek, és nem akadályozott;

• Ha közvetett hűtőkört használnak, a szekunder körnek kell lennie ellenőrizni kell a hűtőközeg jelenlétét;

• A berendezés jelölése továbbra is látható és olvasható. Jelölések és jelek az olvashatatlanokat ki kell javítani; A hűtőcsövet vagy -alkatrészeket olyan helyre szerelik be, ahol nem valószínű, hogy olyan anyagok hatásának vannak kitéve, amelyek korrodálhatják a hűtőközeget tartalmazó alkatrészeket, kivéve, ha az alkatrészek olyan anyagokból készülnek, amelyek eleve ellenállnak a korrózióknak, vagy megfelelően védve vannak a korrózió ellen.

ix. Az elektromos eszközök ellenőrzése Az elektromos alkatrészek javításának és karbantartásának magában kell foglalnia a kezdeti biztonsági ellenőrzéseket és az alkatrészek ellenőrzési eljárásait. Ha olyan hiba áll fenn, amely veszélyeztetheti a biztonságot, akkor az áramkört nem szabad az áramkörbe csatlakoztatni, amíg azt kielégítően meg nem oldják. Ha a hibát nem lehet azonnal kijavítani, de az üzemelés folytatása szükséges, megfelelő ideiglenes megoldást kell alkalmazni. Ezt jelenteni kell a berendezés tulajdonosának, így minden felet tájékoztatni kell.

A kezdeti biztonsági ellenőrzések a következőket tartalmazzák:

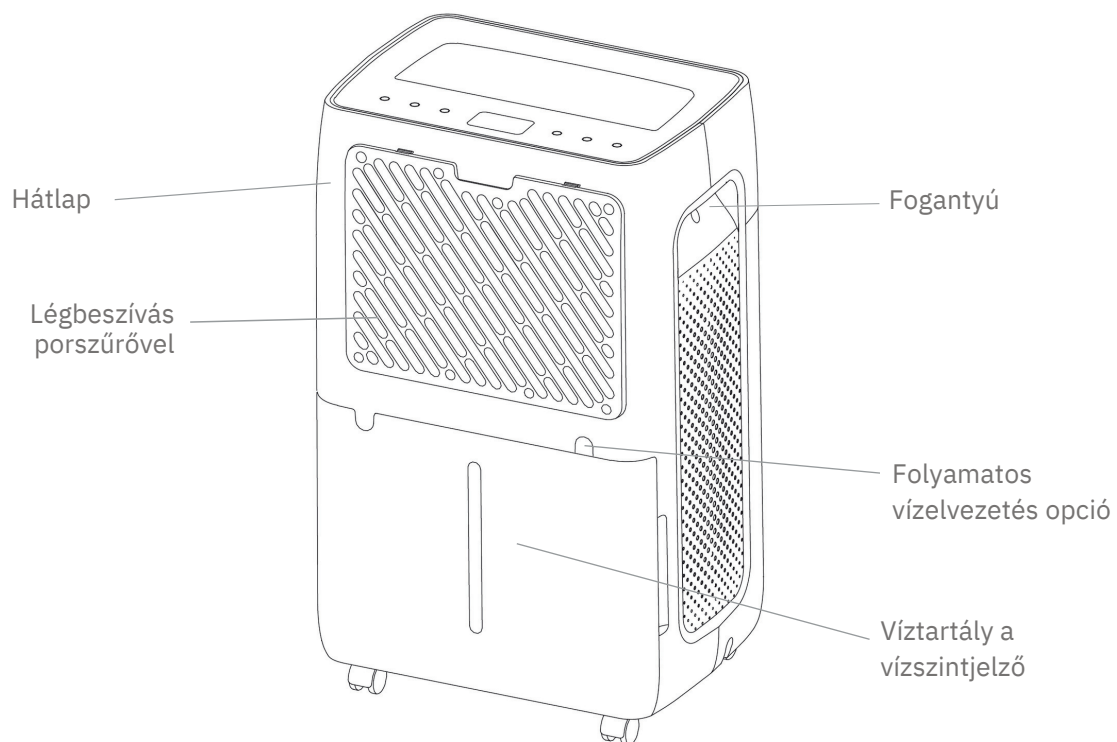
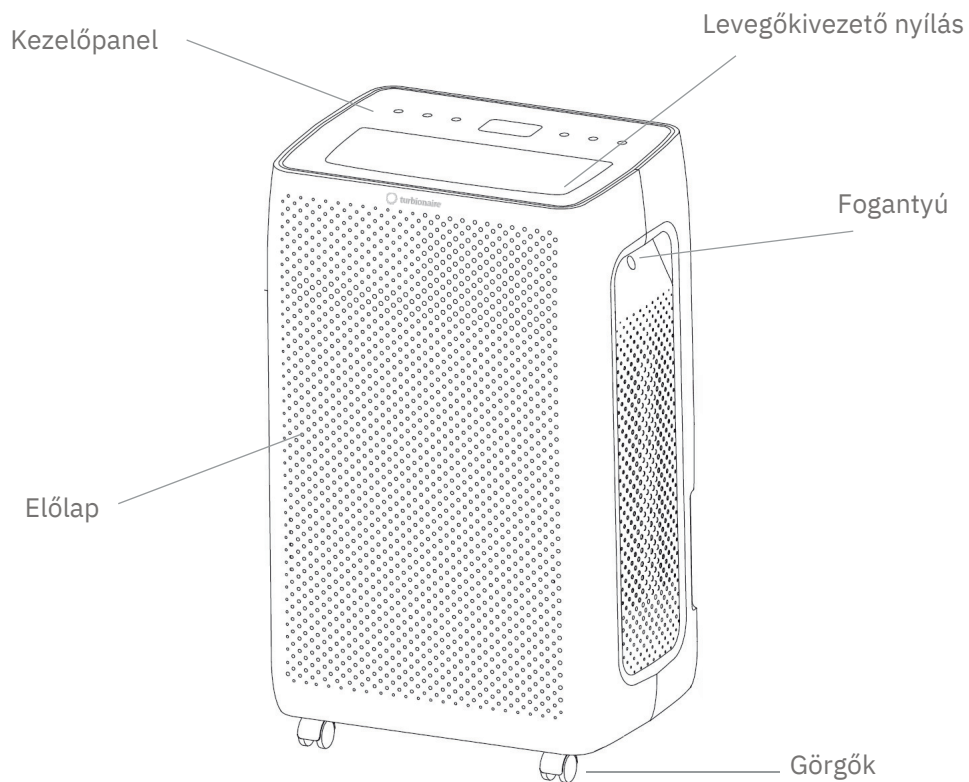
- Ezek a kondenzátorok lemerültek: ezt biztonságos módon kell megtenni, elkerülendő szikraképződés lehetősége;
- hogy töltés közben ne legyenek feszültség alatt álló elektromos alkatrészek és vezetékek szabaddá válnak,

a rendszer helyreállítása vagy tisztítása;

- Hogy a földkötés folytonos legyen

3. A TERMÉK ÁTTEKINTÉSE

A ELŐLŐ ÉS VISSZA NÉZET



B. JELLEMZŐK

- Automatikus lengés funkció
- Az aktuális páratartalom figyelése és kijelzése
- Az automatikus mód automatikusan beállítja a páratartalmat
- 24 órás időzítő a működési idő beállításához
- Eltávolítja a nedvességet és a port a levegőből
- Alacsony energiafogyasztás – energiatakarékos
- Csendes ventilátor két sebességfokozattal
- Automatikus leolvasztás alacsony hőmérsékleten
- Automatikus kikapcsolás/automatikus újraindítás
- Erőteljes nedvességeltávolítás
- Alkalmazás Vezérlés WIFI-n keresztül (ezzel a funkcióval felszerelt modelleknél)
- Érintésvezérlés Mosoda szárítási funkció (folyamatos mód)
- Porszűrő Folyamatos vízvezetés
- 4,5 literes víztartály

C. MŰSZAKI ELŐÍRÁSOK

MODELL	SENSO N 20
Párátlanítási kapacitás	20 l/nap (30°C, 80%)
Tápegység	AC220-240V/50Hz
Max. Energiafelhasználás	330W/2.3A ≤41dB(A)
Zaj Víztartály kapacitása	4,5 liter
Nettó tömeg	13,5 kg
Minimális szobaméret	4 m ² (alapterület)

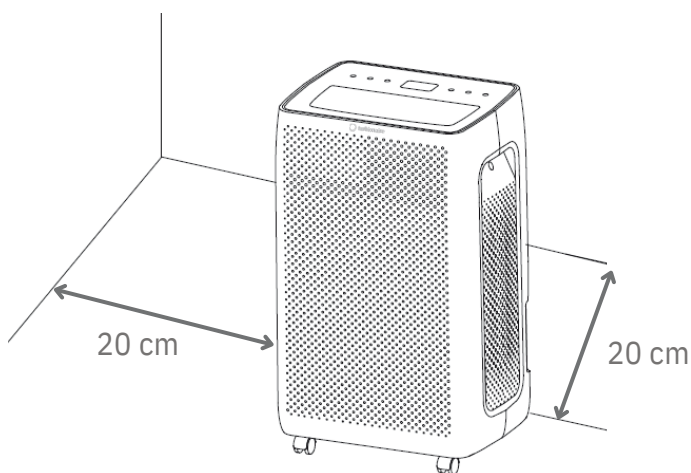
4. TELEPÍTÉS

A. A PÁRÁTARTÓ ELHELYEZÉSE

Helyezze a készüléket szilárd, vízszintes felületre olyan helyre, ahol legalább 30 cm szabad hely van körülötte, hogy biztosítsa a megfelelő légáramlást.

Soha ne telepítse az egységet olyan helyre, ahol ki van téve:

- Hőforrások, például radiátorok, hőregiszterek, kályhák vagy egyéb hőtermelő termékek.
- Olyan helyen, ahol olaj vagy víz fröccsenhet ki
- Közvetlen napfény
- Mechanikai vibráció vagy ütés
- Túl sok por
- A szellőzés hiánya, például szekrény vagy könyvespolc
- Egyenetlen felület



FIGYELEM

Telepítse a készüléket 4 m²-nél nagyobb helyiségekben.
Ne helyezze a készüléket olyan helyre, ahol gyúlékony gáz szivároghat. JEGYZET



A gyártó kínálhat más megfelelő példát, vagy további információkat szolgáltat a hűtőközeg szagáról.

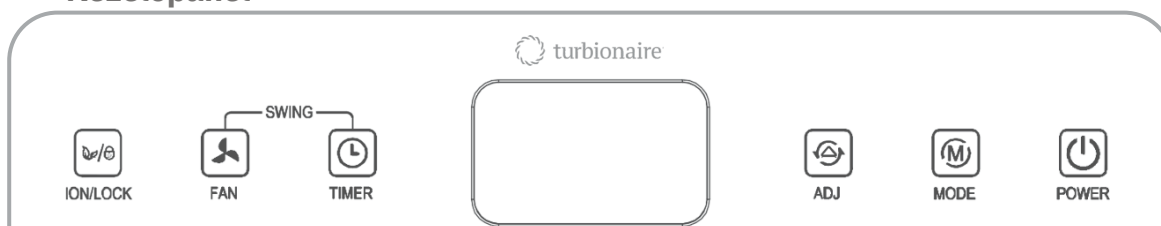
B. A KÉSZÜLÉK BIZTONSÁGOS HASZNÁLATA

- Kicsomagolás után ellenőrizze a készüléket, hogy nincs-e rajta sérülés vagy karc.
- A készüléket 5°C és 38°C közötti környezeti hőmérsékleten használja.
- Ne használja a szabadban. Ez a páratlanító csak beltéri lakossági használatra készült. Ne működtesse falak, függönyök vagy más olyan tárgyak közvetlen közelében, amelyek elzárhatják a be- és kimenetet.
Tartsa akadálymentesen a levegő be- és kimenetét.
- Indítás előtt állítsa be a szélterelőt felfelé.
- Ha 45°-nál nagyobb szögben billen, hagyja, hogy az egység legalább 24 órán keresztül függőlegesen álljon az indítás előtt.
Tartsa zárva az ajtókat és ablakokat a jobb energiamegtakarítás érdekében. Ne működtesse és ne tárolja a készüléket közvetlen napfényben vagy esőben. Normális, hogy a forró napokon történő folyamatos működés után a levegő kilépőnyílása melegen érezhető.

- A készülék mozgatása előtt ürítse ki a víztartályt. Győződjön meg arról, hogy a víztartály megfelelően van felszerelve, különben a készülék nem fog megfelelően működni.
- A páratlanító a legutóbbi használatkor kiválasztott üzemmódban indul el. A páratlanító megkezdje a páratlanítást, ha a helyiség páratartalma 3%-kal magasabb, mint a kiválasztott páratartalom.
- A kompresszor 3 perces védő késleltetést kapott. Várjon 3 percet, amíg a páratlanító folytatja a páratlanítást.

5. MŰKÖDÉS

Kezelőpanel



POWER gomb – Érintse meg ezt a gombot a készülék be- vagy kikapcsolásához.

MODE gomb – Érintse meg ezt a gombot az Automatikus, Alvó vagy Folyamatos páratlanítási mód kiválasztásához.

ADJ gomb – Érintse meg ezt a gombot a páratartalom beállításához és az időzítő óra kiválasztásához.

IDŐZÍTŐ gomb – Érintse meg ezt a gombot az egység automatikus indulásának vagy leállításának időpontjának beállításához.

A WiFi aktiválásához (az ezzel a funkcióval felszerelt modellek esetében) érintse meg az IDŐZÍTŐ gombot legalább 5 másodpercig. A kijelzőn a WiFi jelzőfény villogni kezd.

Ventilátorsebesség gomb – Érintse meg ezt a gombot a magas és alacsony ventilátorsebesség kiválasztásához.

ION/LOCK gomb (ionizációs funkcióval nem rendelkező modellek esetén) – Érintse meg ezt a gombot az ionizáló légtisztító funkció be- vagy kikapcsolásához. Nyomja meg hosszan ezt a gombot, és kapcsolja be vagy ki a gyermekzár funkciót.

SWING - Nyomja meg egyszerre az IDŐZÍTŐ és a VENTILÁTOR gombot a Lengés funkció elindításához.

Kijelző - Megjeleníti a páratartalom értékét, az időzítő beállítását, a hőmérsékletet és egyéb információkat.



POWER

POWER gomb – Készenléti módban érintse meg a Bekapcsoló gombot a páratlanító bekapcsolásához, a művelethez

A jelzőfény világít, és az alapértelmezett ventilátorsebesség magas, az alapértelmezett páratartalom pedig 50%. Bekapcsolt állapotban nyomja meg a bekapcsológombot a kikapcsoláshoz, a működésjelző lámpa kialszik, a kompresszor azonnal leáll, majd a ventilátor 30 másodperces késleltetés után leáll.



MODE

ÜZEMMÓD gomb – Érintse meg a Mode gombot az automatikus, alvó és folyamatos páratlanítási mód közötti váltáshoz.

• **Automatikus üzemmód: ha a környezeti páratartalom $\geq 3\%$, a ventilátor működésbe lép, és**

A kompresszor 3 másodperc múlva kezd működni. Ha a környezeti páratartalom \leq a beállított páratartalom 3%, a kompresszor leáll, és a ventilátor 30 perc késleltetés után leáll. Érintse meg az ADJ gombot a páratartalom beállításához 30% és 80% között automatikus módban.

A ventilátor sebessége és a páratartalom is beállítható automatikus módban.


• **Folyamatos páratlanítási mód: Az egység továbbra is nagy sebességgel működik, a ventilátor sebessége lehet** beállítva a páratartalom nem állítható.



• Alvó mód: Érintse meg az Alvó gombot, a gomb világít, és elindítja az alapértelmezett alvó funkciót páratartalom 60%. Ha a vezérlőpanelt 10 másodpercen belül nem működtetik, minden jelzőfény fokozatosan elsötétül, és a ventilátor sebessége automatikusan magasról alacsonyra vált. Érintse meg ismét a SLEEP gombot az alvó üzemmódból való kilépéshez. A ventilátor sebessége és a páratartalom is beállítható alvó üzemmódban. Érintse meg ismét a MODE gombot, hogy kilépjen a SLEEP módból.

IDŐZÍTŐ gomb

Érintse meg a TIMER gombot a 00-24 órás időzítés beállításához.

A kijelzőpanel "00" villog, és az időzítő órát mutatja. Érintse meg az ADJ  gombot, az érték növelése 1 óra, a kijelzőn megjelenő érték.

Működő állapotban használja az időzítő funkciót a gép rendszeres kikapcsolásához.

Készenléti állapotban használja az időzítő funkciót a gép rendszeres bekapcsolásához.

Az időzítési funkció törléséhez állítsa az időt "00"-ra.

Nyomja meg hosszan 5 másodpercig az IDŐZÍTŐ gombot a wifi funkció aktiválásához, kérjük, olvassa el a wifi használati utasítást az utolsó oldalakon (az ezzel a funkcióval felszerelt modelleknél).



FAN SPEED gomb – Magas/alacsony ventilátorsebesség ciklus. Érintse meg egyszer a gombot a váltáshoz, majd a megfelelő jelzőfény világít. Folyamatos szárítási módban és leolvasztási időszakban a ventilátor sebessége nem módosítható.



SWING mód - Érintse meg egyszerre a VENTILÁTOR és IDŐZÍTŐ gombot az automatikus lengés funkció elindításához, nyomja meg újra a lengés leállításához.



ION/LOCK gomb – Érintse meg ezt a gombot az ionizáló légtisztító funkció be- vagy kikapcsolásához. Nyomja meg hosszan ezt a gombot a gyerekzár funkció be- vagy kikapcsolásához.

Víztartály megtelt riasztás

Víztartály jelző – Ha a tartály 5 másodpercig megtelik, beállítja a riasztást. A víztartály jelzőfénye pirosra vált, és a készülék 5-ször csipog.

Riasztás törlése – Ha a zümmögés be van kapcsolva, érintse meg bármelyik gombot a leállításához. A kompresszor ventilátora leáll, és az összes funkció lefagy, amíg a tartály ki nem ürül, és vissza nem kerül a megfelelő helyzetbe.

A. Vízelvezetés

Az egység által termelt összegyűjtött víz eltávolításának két módja van.

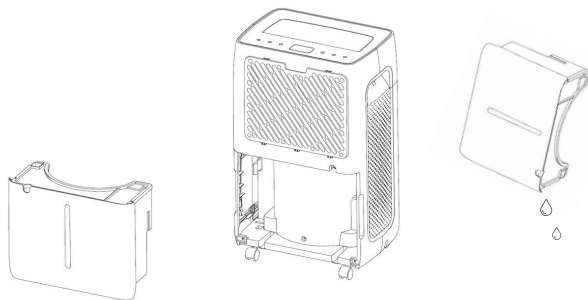
- Kézi leeresztés: a víz tartályt kézzel kell eltávolítani.
- Folyamatos leeresztés: csatlakoztasson egy leeresztő tömlőt az egységhez, hogy a kondenzvíz a gravitáció segítségével távozzon.

B. A víz tartály ürítése

A készülék kikapcsol, ha a víz tartály megtelik. A víz tartály kiürítése és megfelelő visszahelyezése után újra működik. Amikor a tartály megtelt, az egység zümmögő hangot ad, és a „Water Full” LED kigyullad.

- Érintse meg a POWER gombot a készülék kikapcsolásához.
- Húzza meg a víz tartályt, és csúsztassa ki a párátlánító testéből.
- Engedje le a vizet olyan helyre, ahol van lefolyó vagy kívül.
- Tisztítsa meg a tartály belsejét, ha szükséges, valamint a külsejét is.

- Helyezze vissza az üres tartályt az egységbe.
- Nyomja meg a POWER gombot az egység újraindításához.
- Ha a „Water Full” LED továbbra is világít, ellenőrizze, hogy a víztartály úszója megfelelően van-e elhelyezve, és nincs-e akadály.
- Ha a Water Full jelzőfény nem alszik ki, ellenőrizze, hogy az úszó megfelelően van-e a helyén.



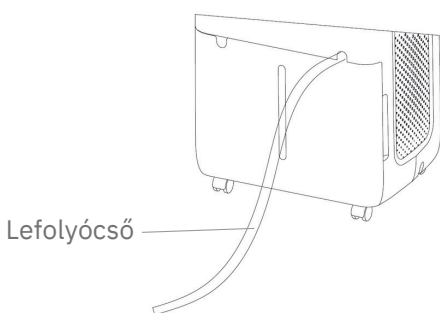
Figyelem

1. Ne dobja ki a víztartály mágneseit és műanyag szegecseit. Ellenkező esetben a készülék nem áll le automatikusan, ha a víztartály megtelik, és a kondenzvíz túlcordul és károsítja a helyiség padlóját. A gép üzemmódjának visszaállítása előtt feltétlenül tisztítsa meg a kondenzvizet a víztartályban.
2. Ha a víztartály szennyezett, öblítse ki tiszta vízzel. Kerülje a tisztítószer, acélgolyók, vegyi poreltávolítók, gázolaj, benzol, hígítók vagy egyéb oldószerek használatát. Ellenkező esetben a víztartály megsérül és szivárog.
3. Helyezze vissza az üres tartályt az egységbe. Ellenkező esetben a víz megtelt jelzője piros maradhat, és az egység nem indulhat újra.

C. Folyamatos vízelvezetés

Folyamatos működéshez vagy felügyelet nélküli páratlanításhoz csatlakoztassa a mellékelt leeresztőtömlőt az egységhez. A kondenzvíz a gravitáció segítségével szabadon lefolyik egy vödörbe vagy lefolyónyílásba.

- Állítsa az egységet vízszintes felületre és stabil helyzetbe.
- Üzembe helyezés előtt kapcsolja ki a készüléket.
- Biztonságosan és megfelelően csatlakoztassa a leeresztő tömlőt, és győződjön meg arról, hogy nincs megtörve, és nincs akadálya.
- Helyezze a tömlő kimenetét egy lefolyó vagy vödör fölé, és biztosítsa, hogy a víz szabadon kifolyhasson az egységből. Ne merítse vízbe a tömlő végét; ellenkező esetben "Légzár"-ot okozhat a tömlőben.



A víz kifolyásának elkerülése érdekében:

- Mivel a kondenzvíz-leeresztő edény negatív nyomása nagy, döntse le a leeresztő tömlőt a padló felé. Helyénvaló, hogy a dőlés mértéke meghaladja a 20 fokot.
- Egyenesítse ki a tömlőt, hogy elkerülje a tömlőben lévő becsípődést.

6. KARBANTARTÁS

Megjegyzés: a gép tisztítása és karbantartása előtt feltétlenül kapcsolja ki a gépet, és húzza ki a hálózati csatlakozót az áramütés elkerülése érdekében.

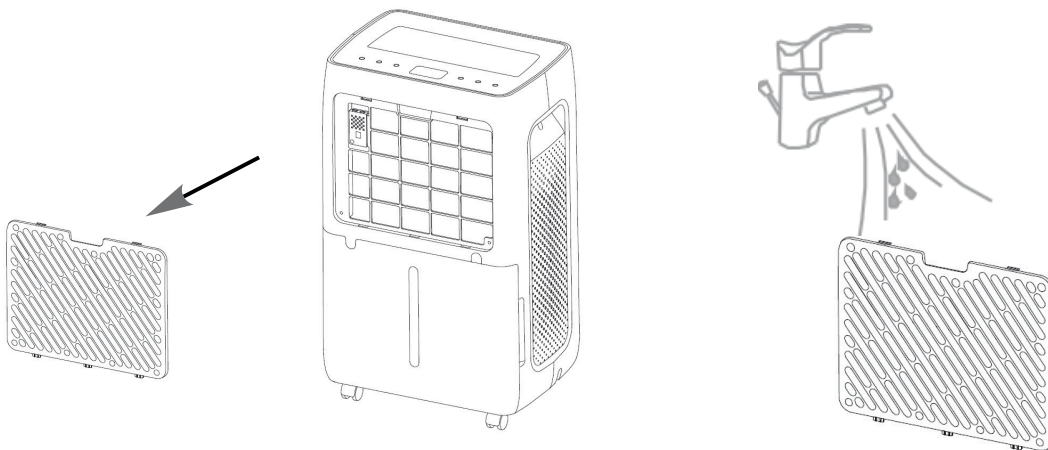
A légszűrő tisztítása

Tisztítsa meg a szűrőt legalább kéthetente, vagy amikor szükséges. A tisztátalan szűrőn felgyülemlett lerakódásokat a ventilátor felszívhatja, majd az elpárologtatón, a kondenzátoron és az egységen belüli egyéb alkatrészekben marad, ami csökkentheti az egység hatékonyságát és különféle meghibásodásokhoz vezethet, amelyekre nem terjed ki a garancia.

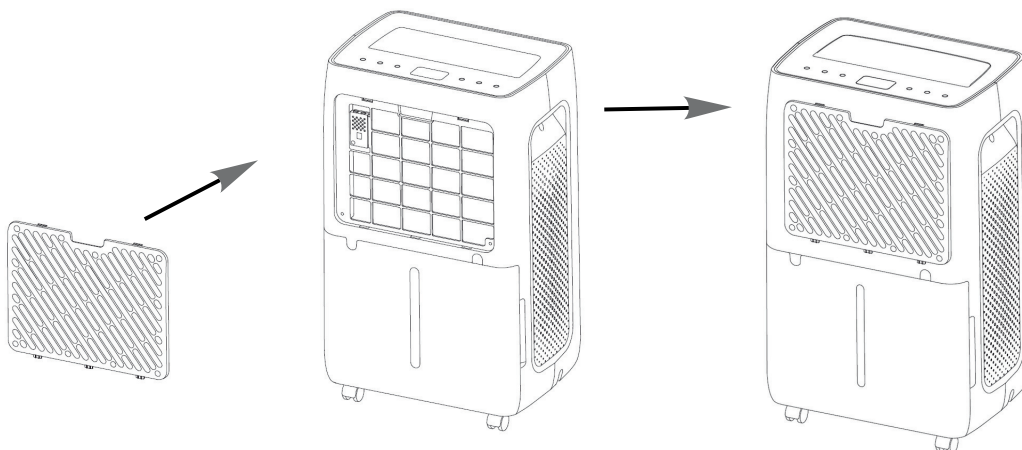
Ha bármilyen lerakódást talál a készülék belsejében, forduljon a legközelebbi hivatalos szervizhez professzionális tisztítás céljából. Ne végezzen belső tisztítási műveleteket (a mosható szűrő tisztításán és mosásán kívül) egyedül. Mindig forduljon szakképzett műszaki személyzethez.

a) Távolítsa el a szűrőrácsot, és vegye le a szűrőt.

b) Használjon porszívót, hogy finoman szívja fel a port a szűrő felületén. Áztassa a szűrőt körülbelül 40 Celsius fokos meleg vízbe. Ha a szűrő nagyon szennyezett, mossa le vízzel és puha mosószerrel, majd szárítsa meg alaposan.



c) Helyezze vissza a szűrőt az eredeti helyére, amely az egység hátulján található.



7. HIBAE LHÁRÍTÁS

A MŰKÖDÉSI HŐMÉRSÉKLET

5°C ≤ Környezeti hőmérséklet ≤ 38°C Ha a környezeti hőmérséklet alacsonyabb vagy magasabb, mint a működési hőmérséklet, a páratlanító leáll.

Ha **5°C ≤ Környezeti hőmérséklet. ≤ 16°C**, a kompresszor időnként automatikusan leolvaszt; leolvasztás közben a kompresszor leáll és a ventilátor tovább működik.

B. A SZERVIZHÍVÁS ELŐTT

Mielőtt kapcsolatba lépne a szakszervizzel, tekintse át a hibaelhárítási listát, amely tartalmazza azokat a gyakori előfordulásokat, amelyek nem gyártási vagy anyaghibából erednek.

Probléma	Lehetséges ok	Megoldás
Nem működik	Nincs tápellátás	Csatlakoztassa egy működő konnektorhoz, és kapcsolja be.
	A víz megtelt jelzés villog	Engedje le a víztartályt, és helyezze vissza a készülékbe.
	Szobahőmérséklet <5°C vagy >38°C	Az egység védelmére tervezett önvédelem. Ilyen hőmérsékleten nem lehet dolgozni.
Rossz működés	Eltömődött a légszűrő?	Tisztítsa meg a levegőszűrőt az utasításoknak megfelelően
	El van dugulva a szívó- vagy nyomócsatorna?	Távolítsa el az akadályt a nyomó- vagy szívócsőről.
Nincs levegő beszívás	Eltömődött a légszűrő?	Mossa ki a szűrőt
Hangos zaj futás közben	A készülék vízszintes és sík felületre van helyezve?	Helyezze el megfelelően az egységet.
	Eltömődött a légszűrő?	Mossa ki a szűrőt
E1/E2	Páratartalom érzékelő probléma	Cserélje ki az érzékelőt
LO	A környezet páratartalma 20% alatt van	A páratlanító kikapcsol önvédelemre
HI	A környezet páratartalma 90% felett van	
CL	Alacsony hőmérséklet elleni védelem, a környezeti hőmérséklet <5°C	
CH	Magas hőmérséklet elleni védelem, környezeti hőmérséklet >38°C	

8. LESZERELÉS

8.1 TÁROLÁS

Hosszú távú tárolás – Ha hosszabb ideig (néhány hétnél tovább) nem használja a készüléket, a legjobb, ha megtisztítja és teljesen kiszárítja. Kérjük, tárolja az egységet az alábbi lépések szerint:

- Nyomja meg a bekapcsológombot az egység kikapcsolásához, és húzza ki a konnektorból.
- Engedje le a maradék vizet a készülékből.
- Tisztítsa meg a szűrőt, és hagyja teljesen megszáradni egy árnyékos helyen.
- Csatlakoztassa a tápkábelt a víztartályhoz.
- Helyezze vissza a szűrőt a helyére.
- Tároláskor az egységet függőleges helyzetben kell tartani.
- A gép tárolása szellőző, száraz, nem korrozív gázban és biztonságos beltéri helyen.

FIGYELEM: A gép belsejében lévő elpárologtatót ki kell szárítani az egység becsomagolása előtt, hogy elkerülje az alkatrészek sérülését és a penészesedést. Húzza ki az egységet a konnektorból, és tegye száraz, nyitott helyre napokra, hogy kiszáradjon. Az egység szárításának másik módja az, hogy a páratartalom pontot több mint 5%-kal magasabbra állítja, mint a környezeti páratartalom, így a ventilátor néhány órára megszáritja az elpárologtatót.

8.2 ÁRTALMATLANÍTÁS



FIGYELEM!!!

Hűtőközeg légkörbe bocsátása szigorúan tilos!

Ne dobja ki az elektromos készülékeket válogatatlan települési hulladékként, használja elkülönített gyűjtőhelyek. Információért forduljon a helyi önkormányzathoz a rendelkezésre álló begyűjtési rendszerekkel kapcsolatban. Ha az elektromos készülékeket ártalmatlanítják

A hulladéklerakókban vagy szemétkerakókban veszélyes anyagok szivároghatnak a talajvízbe, és bekerülhetnek a táplálékláncba, károsítva az Ön egészségét és közérzetét.

Turbionaire WEEE/ Csomagolás/ Akkumulátorhoz az EU-ban

Kérjük, olvassa be ide a QR kódot



Köszönjük, hogy a Turbionaire-t választotta!

A Turbionaire készülékeivel kapcsolatos szakértői tanácsért, segítségért vagy javításért forduljon hozzánk a következő címen: www.turbionaire.com/warranty.

További részletek a termékről:

- Információ
- Műszaki adatok
- Energiacímke

elérésével lehet megtekinteni www.turbionaire.com

Manufacturer and importer:

SC Intax Trading SRL - Str. Ion Creanga nr. 14B, 075100,
Otopeni, Ilfov, Romania. Tel (+40) 318 246 246 Fax (+40)
214 203 151 office@intaxtrading.com
www.intaxtrading.com

SMART LIFE – AZ ALKALMAZÁS FELHASZNÁLÓI ÚTMUTATÓJA a SENSO N20-hoz

A „Smart Life” alkalmazás elérhető Android és iOS rendszeren.

Olvassa be okostelefonjával a megfelelő QR-kódot, hogy közvetlenül elérje a letöltést.



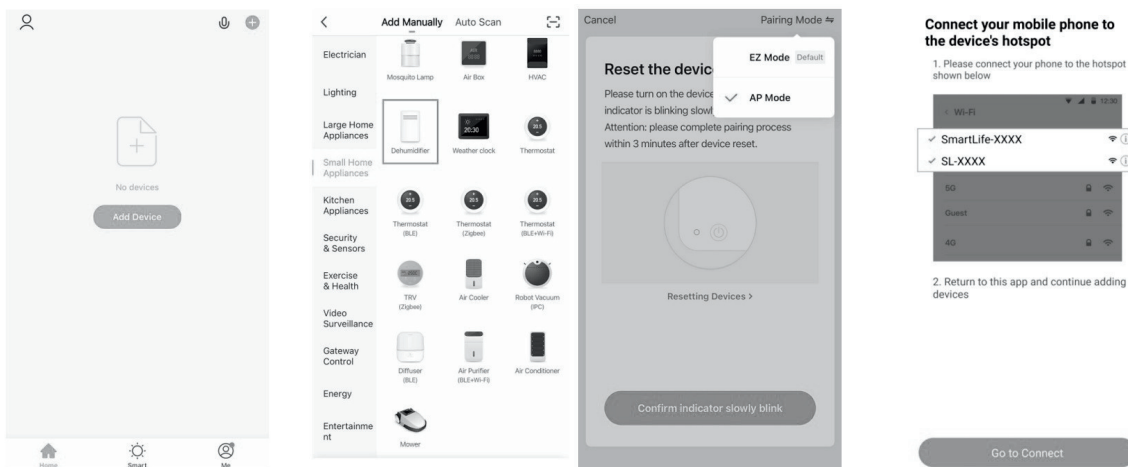
Az alkalmazás használata

Ezzel a készülékkel WIFI otthoni hálózatán keresztül működtetheti a készüléket. Előfeltétel az állandó WIFI kapcsolat a routerrel és az ingyenes „Smart Life” alkalmazás. Javasoljuk, hogy húzza ki a készüléket az elektromos hálózatról, ha távol van otthonától, hogy elkerülje a véletlen bekapcsolást útközben!

Üzembe helyezés az alkalmazáson keresztül

1. Telepítse a „Smart Life” alkalmazást. Hozzon létre egy felhasználói fiókot.
2. Kapcsolja be a WIFI funkciót a készülék beállításában - érintse meg az IDŐZÍTŐ gombot legalább 5 másodpercig
3. Helyezze a készüléket körülbelül 5 méter távolságra az útválasztótól.
4. Amíg a készülék be van kapcsolva, a WIFI jelzőfény lassan villog. 3 perc elteltével az állapot törlődik, ha nincs hálózati konfiguráció, és a jelzőfény nem világít. Ha újra kell csatlakoztatnia a WIFI-t, érintse meg hosszan a „TIMER” gombot 5 másodpercig a hálózati konfiguráció elindításához, a WIFI jelző lassan villog.
5. Amikor a WIFI jelzőfény lassan villog, válassza az „Eszköz hozzáadása” – „Kis háztartási készülékek” – „Páratlanító” lehetőséget, és kövesse a Smart Life alkalmazás utasításait. Válassza az „AP Mode” lehetőséget az alkalmazás jobb felső sarkában, válassza a „Confirm jelző lassan villog”, majd nyomja meg a „Go to Connect” gombot a „SmartLife-XXXX” nevű WIFI csatlakoztatásához.
6. Ha a WIFI jelző gyorsan villog, közvetlenül csatlakoztatható.
7. A készülék sikeres csatlakoztatása után a WIFI lámpa világít. Most már működtetheti a készüléket az alkalmazás segítségével.

Alternatív kapcsolat Bluetooth-on keresztül - Nyissa meg mobiltelefonja vagy más eszköze Bluetooth-át. Amikor a WIFI jelzőfény villog, nyissa meg a „Smart Life” APP-ot, az egység automatikusan Bluetooth-on keresztül csatlakozik



HIBAELHÁRÍTÁS

A hálózati csatlakozás sikertelen A hálózati kapcsolat időtúllépése	Megoldás
WIFI jelzőfény kikapcsolva	1. Ellenőrizze, hogy a „SmartLife-XXXX” nevű WIFI-t választotta-e. 2. Kapcsolja ki a gépet, és 10 másodperc múlva húzza ki a tápkódot és a plugint, majd lépjen be az alkalmazásba az újbóli csatlakozáshoz.
A WIFI hotspot eltűnik, és a WIFI jelzőfény villog	Tartsa lenyomva az „Időzítő” gombot, vagy kapcsolja ki a gépet, és 10 másodperc elteltével húzza ki a tápkódot és a csatlakozót. Kapcsolja ki a gépet, és 10 másodperc múlva húzza ki a tápkódot és a plugint, majd lépjen be az alkalmazásba az újbóli csatlakozáshoz.

ВГ: СЪДЪРЖАНИЕ

1. ПРЕДИ ДА ЗАПОЧНЕТЕ	123
2. ЗА ВАШАТА БЕЗОПАСНОСТ	125
3. ПРЕГЛЕД НА ПРОДУКТА	128
4. ИНСТАЛАЦИЯ	130
5. ЕКСПЛОАТАЦИЯ	131
6. ПОДДРЪЖКА	134
7. ОТСТРАНЯВАНЕ НА НЕИЗПРАВНОСТИ	135
8. ИЗВЕЖДАНЕ ОТ ЕКСПЛОАТАЦИЯ	136
9. SMART LIFE	137

Благодарим ви, че избрахте нашия влагоуловител.

Не забравяйте да прочетете внимателно това ръководство преди

употреба. Прочетете внимателно това ръководство за бъдещи справки.

1. ПРЕДИ ДА ЗАПОЧНЕТЕ

Кérjük, figyelmesen olvassa el a használati utasítást, mielőtt a páratlanítót első alkalommal használja.

A. TERMÉKLEÍRÁS

A páratlanító a túlzott nedvesség eltávolítására szolgál a levegőből. A relatív páratartalom ebből eredő csökkenése megvédi az épületeket és azok tartalmát a túlzott páratartalom káros hatásaitól.

A környezetbarát R290 hűtőközegként szolgál. Az R290-nek nincs káros hatása az ózonrétegre (ODP), elhanyagolható üvegházhatás (GWP), és világszerte elérhető. Hatékony energiatulajdonságai miatt az R290 kiválóan alkalmas hűtőfolyadékként ehhez az alkalmazáshoz. Különleges óvintézkedéseket kell figyelembe venni a hűtőfolyadék nagy gyúlékonysága miatt.

6. СИМВОЛИ ВЪРХУ УРЕДА И РЪКОВОДСТВОТО ЗА ПОТРЕБИТЕЛЯ



Внимание!

Това устройство използва запалим хладилен агент. Ако хладилен агент изтече и влезе в контакт с огън или нагревателна част, това ще създаде вреден газ и има риск от пожар.



Прочетете внимателно РЪКОВОДСТВОТО ЗА ПОТРЕБИТЕЛЯ преди работа.



Допълнителна информация е в РЪКОВОДСТВОТО ЗА ПОТРЕБИТЕЛЯ, налична РЪКОВОДСТВО ЗА ОБСЛУЖВАНЕ и други подобни.



От сервизния персонал се изисква да прочете внимателно РЪКОВОДСТВОТО ЗА ПОТРЕБИТЕЛЯ и РЪКОВОДСТВОТО ЗА ОБСЛУЖВАНЕ преди работа.

С. СЛЕДНОТО ВИНАГИ ТРЯБВА ДА СЕ СПАЗВА ЗА БЕЗОПАСНОСТ

- Този уред е предназначен за използване от опитни или обучени потребители в магазини, в леката промишленост и във ферми или за търговска употреба от непрофесионалисти.
- Този уред може да се използва от деца на възраст над 8 години и лица с намалени физически, сетивни или умствени способности или липса на опит и познания, ако са били наблюдавани или инструктирани относно използването на уреда по безопасен начин и разбират свързаните с това опасности.
- Този уред не е играчка. Деца под 3 години трябва да бъдат постоянно наблюдавани и държани далеч от него.
- Почистването и потребителската поддръжка не трябва да се извършват от деца.
- Уредът е предназначен само за използване с газ R-290 (пропан) като предназначен хладилен агент.
- Хладилният контур е запечатан. Само квалифициран техник трябва да се опитва да обслужва!
- Не изхвърляйте хладилния агент в атмосферата.
- R-290 (пропан) е запалим и по-тежък от въздуха.
Събира се първо в ниски зони, но може да се разпространява от вентилаторите.
- Ако има наличие на газ пропан или дори се подозира, не позволявайте на необучен персонал да се опитва да открие причината.
- Газът пропан, използван в уреда, няма миризма.
Липсата на миризма не означава липса на изпуснат газ.
Ако се открие теч, незабавно евакуирайте всички хора от магазина, проветрете помещението и се свържете с местната противопожарна служба, за да ги уведомите, че е възникнал теч на пропан.
Не пускайте хора обратно в стаята, докато не пристигне квалифицираният сервизен техник и този техник не ви посъветва, че е безопасно да се върнете в магазина.
Не трябва да се използват открити пламъци, цигари или други възможни източници на запалване вътре или в близост до модулите.
Компонентите са предназначени за пропан и не предизвикват стимули и искри.
Компонентите трябва да се сменят само с идентични ремонтни части.

НЕСПАЗВАНЕТО НА ТОВА ПРЕДУПРЕЖДЕНИЕ МОЖЕ ДА ДОВЕДЕ ДО ЕКСПЛОЗИЯ, СМЪРТ, НАРАНЯВАНЕ И ИМУЩЕСТВЕНИ ЩЕТИ



Внимание!



2. ЗА ВАШАТА БЕЗОПАСНОСТ



Вашата безопасност е най-важното нещо, за което се интересуваме!

Моля, прочетете внимателно това ръководство и го разберете напълно, преди да започнете работа с вашия обезвлажнител.

A. ОПЕРАТИВНИ ПРЕДПАЗНИ МЕРКИ

ПРЕДУПРЕЖДЕНИЕ: за да намалите риска от пожар, токов удар или нараняване на хора или имущество:

- Ако захранващият кабел е повреден, той трябва да бъде заменен от производителя, негов сервизен агент или лица с подобна квалификация, за да се избегне опасност.
- Уредът трябва да бъде изключен от източника на захранване по време на поддръжка.
- Винаги работете с уреда от източник на захранване със същото напрежение, честота и мощност, както е посочено на идентификационната табела на продукта.
- Винаги използвайте заземен електрически контакт.
- Изключвайте захранващия кабел, когато почиствате или когато не го използвате.
- Не работете с мокри ръце. Предотвратете разливането на вода върху уреда.
- Не потапяйте и не излагайте устройството на дъжд, влага или друга течност.
- Не оставяйте уреда да работи без надзор. Не накланяйте и не обръщайте уреда.
- Не изключвайте щепсела, докато устройството работи.
- Не изключвайте от контакта, като дърпате захранващия кабел.
- Не използвайте удължителен кабел или адаптерен щепсел.
- Не поставяйте предмети върху устройството.
- Не се качвайте и не сядайте върху уреда.
- Не пъхайте пръсти или други предмети в изхода за въздух.
- Не докосвайте входа за въздух или алуминиевите ребра на уреда.
- Не работете с уреда, ако е изпуснат, повреден или показва признаци на неизправност на продукта.
- Не почиствайте уреда с никакви химикали.
- Уверете се, че устройството е далеч от огън, запалими или експлозивни предмети.
- Устройството трябва да бъде инсталирано в съответствие с националните разпоредби за окабеляване.
- Не използвайте средства за ускоряване на процеса на размразяване или за почистване, различни от препоръчаните от производителя.
- Уредът трябва да се съхранява в помещение без непрекъснато работещи източници (например: открит пламък, работещ газов уред или работещ електрически нагревател).
- Уредът трябва да се съхранява така, че да не се допускат механични повреди.
- Не разкъсвайте и не изгаряйте, дори след употреба.
- Имайте предвид, че хладилните агенти може да не съдържат миризма.
- Тръбопроводите трябва да бъдат защитени от физически повреди и не трябва да се монтират в непроветриво пространство, ако това пространство е по-малко от 4m².
- Трябва да се спазват националните газови разпоредби.
- Не запушвайте всички необходими вентилационни отвори.
- Уредът трябва да се съхранява в добре проветриво помещение, където размерът на помещението съответства на площта на помещението, както е посочено за работа.



Всяко лице, което участва в работа или взлом на верига на хладилен агент, трябва да притежава актуално валиден сертификат от акредитирана от индустрията оценка.

орган, който упълномощава тяхната компетентност да боравят безопасно с хладилни агенти в съответствие с призната от индустрията спецификация за оценка.



Обслужването трябва да се извършва само според препоръките на производителя на оборудването.

Поддръжката и ремонтът, които изискват помощта на друг квалифициран персонал, трябва да се извършват под наблюдението на лицето, компетентно в използването на запалими хладилни агенти.

Ако не разбирате нещо или имате нужда от помощ, моля, свържете се с дилърските услуги.

Б. ПРЕДПАЗНИ МЕРКИ ЗА БЕЗОПАСНОСТ ПРИ ОБСЛУЖВАНЕ

Моля, следвайте тези предупреждения, когато трябва да предприемете следното, когато обслужвате влагоуловител с R290.

- i. Проверки на зоната Преди започване на работа по системи, съдържащи запалими хладилни агенти, са необходими проверки за безопасност, за да се гарантира, че рискът от възпламеняване е сведен до минимум. За ремонт на хладилната система трябва да се спазват следните предпазни мерки преди извършване на работа по системата.
- ii. Работна процедура Работата трябва да се извършва при контролирана процедура, така че да се сведе до минимум рискът от наличие на запалими газ или пари по време на извършване на работата.
- iii. Обща работна зона Целият персонал по поддръжката и другите, работещи в местната зона, трябва да бъдат инструктирани относно естеството на извършваната работа. Трябва да се избягва работа в затворени пространства. Зоната около работното пространство трябва да бъде разделена. Уверете се, че условията в зоната са направени безопасни чрез контрол на запалими материали.
- iv. Проверка за наличие на хладилен агент Зоната трябва да бъде проверена с подходящ детектор за хладилен агент преди и по време на работа, за да се гарантира, че техникът е наясно с потенциално запалими атмосфери. Уверете се, че използваното оборудване за откриване на течове е подходящо за използване със запалими хладилни агенти, т.е. без искри, подходящо запечатано или искробезопасно.
- v. Наличие на пожарогасител Ако трябва да се извършват горещи работи по хладилното оборудване или свързаните с него части, подходящото пожарогасително оборудване трябва да е на разположение. Поставете пожарогасител със сух прах или CO₂ в близост до зоната за зареждане.
- vi. Без източници на запалване Никое лице, което извършва работа във връзка с хладилна система, която включва излагане на тръбопроводи, които съдържат или са съдържали запалим хладилен агент, не трябва да използва никакви източници на запалване по начин, който може да доведе до риск от пожар или експлозия. Всички възможни източници на запалване, включително пушенето на цигари, трябва да се държат достатъчно далеч от мястото на инсталиране, ремонт, отстраняване и изхвърляне, по време на което запалимият хладилен агент

евентуално може да се освободи в околното пространство. Преди започване на работа зоната около оборудването трябва да бъде проучена, за да се уверите, че няма запалими опасности или рискове от възпламеняване. Трябва да се поставят табели „Пушенето забранено“.

vii. Вентилирана зона Уверете се, че зоната е на открито или че е подходящо проветрена, преди да проникнете в системата или да извършвате каквато и да е гореща работа. Степента на вентилация трябва да продължи през периода, през който се извършва работата. Вентилацията трябва безопасно да разпръсква всеки отделен хладилен агент и за предпочитане да го изхвърля навън в атмосферата.

viii. Проверки на хладилното оборудване Когато електрическите компоненти се сменят, те трябва да са подходящи за целта и да отговарят на правилната спецификация. През цялото време трябва да се спазват указанията за поддръжка и обслужване на производителя. Ако се съмнявате, консултирайте се с техническия отдел на производителя за помощ.

Следните проверки се прилагат за инсталации, използващи запалими хладилни агенти:

- Размерът на зареждането е в съответствие с размера на помещението, в което се намира хладилният агент

монтирани са съдържачи части;

- Вентилационните съоръжения и изходите работят адекватно и не работят

възпрепятстван;

- Ако се използва индиректна хладилна верига, трябва да се използва вторичната верига

проверява се за наличие на хладилен агент;

- Маркировката на оборудването продължава да бъде видима и четлива. Маркировка и знаци

които са нечетливи се коригират; хладилната тръба или компонентите са монтирани на място, където е малко вероятно да бъдат изложени на каквото и да е вещество, което може да корозира компонентите, съдържачи хладилен агент, освен ако компонентите не са изработени от материали, които по своята същност са устойчиви на корозия или са подходящо защитени срещу корозия.

ix. Проверки на електрическите устройства Ремонтът и поддръжката на електрическите компоненти трябва да включват първоначални проверки за безопасност и процедури за проверка на компонентите. Ако съществува повреда, която може да компрометира безопасността, тогава към веригата не трябва да се свързва електрическо захранване, докато не бъде отстранено задоволително. Ако повредата не може да бъде отстранена незабавно, но е необходимо да продължи работата, трябва да се използва подходящо временно решение. Това трябва да бъде докладвано на собственика на оборудването, така че всички страни да бъдат уведомени.

Първоначалните проверки за безопасност включват:

- Тези кондензатори са разредени: това трябва да се направи по безопасен начин, за да се избегне

възможност за искрене;

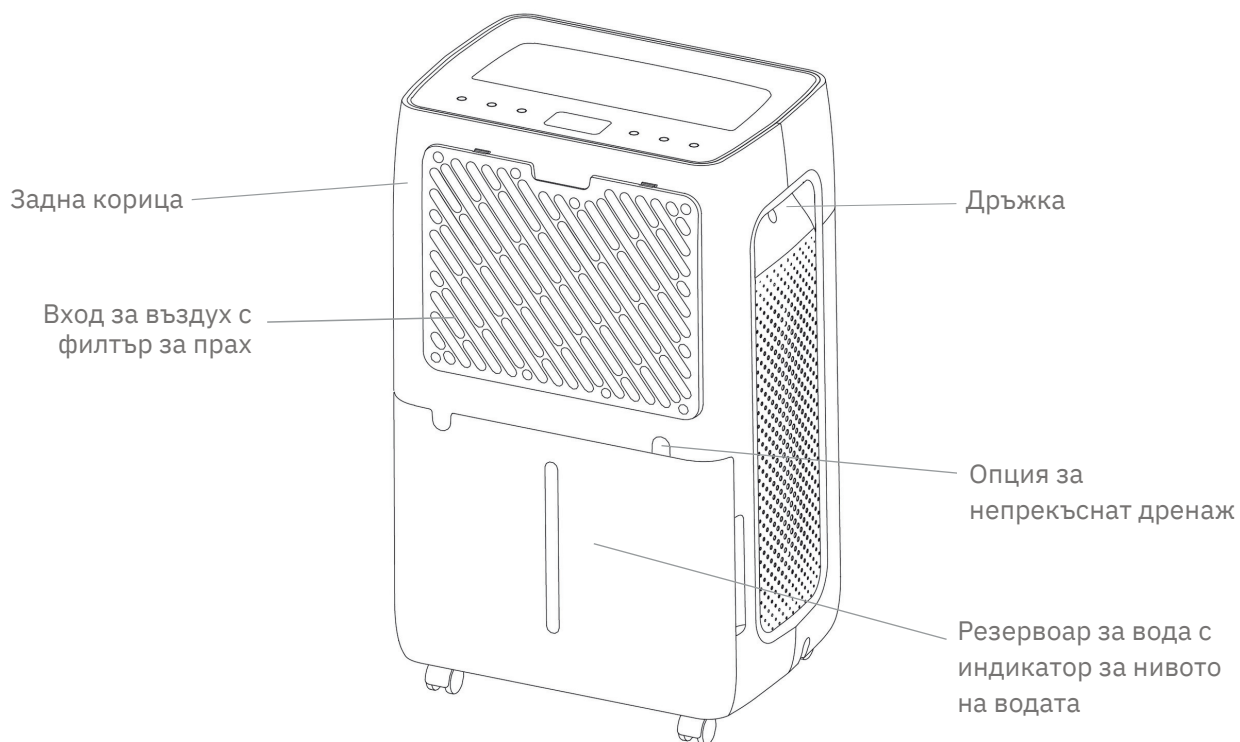
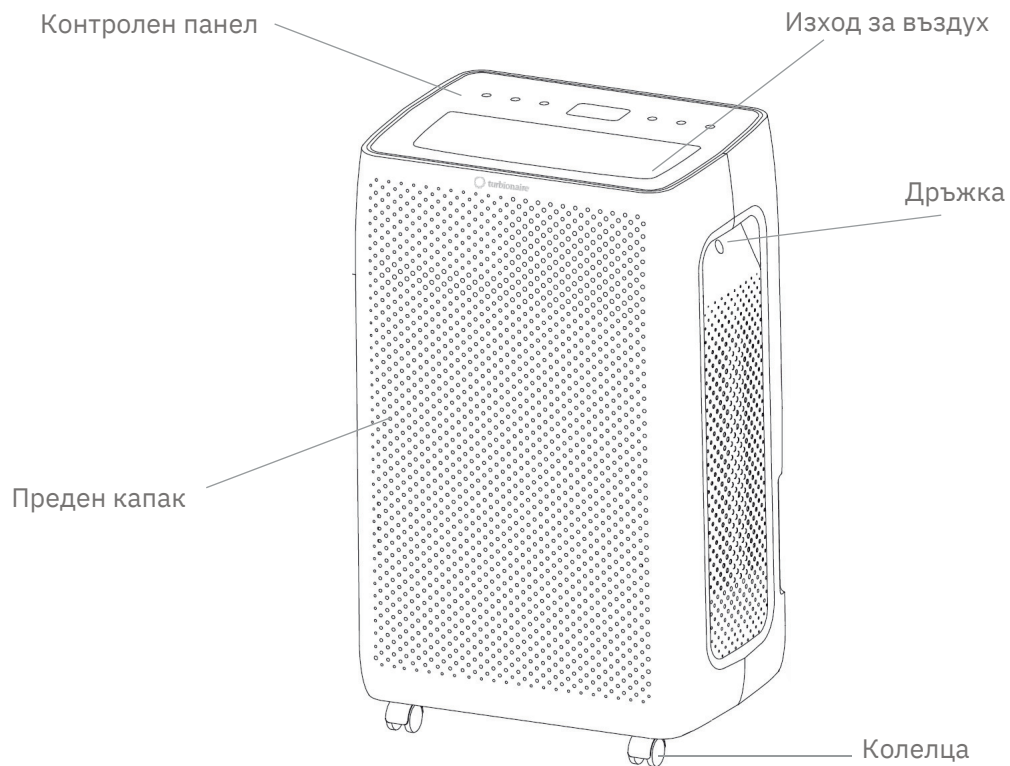
- Да няма открити електрически компоненти и кабели под напрежение по време на зареждане,

възстановяване или прочистване на системата;

- Че има непрекъснатост на земната връзка

3. ПРЕГЛЕД НА ПРОДУКТА

А. ИЗГЛЕД ОТ ПРЕД И ЗАД



Б. ХАРАКТЕРИСТИКА

- Функция за автоматично завъртане
- Мониторинг и показване на текущата влажност
- Автоматичният режим автоматично регулира нивата на влажност
- 24-часов таймер за настройка на времето на работа
- Премахва влагата, праха от въздуха
- Ниска консумация на енергия-енергийно ефективен
- Тих вентилатор с две настройки на скоростта
- Автоматично размразяване при ниска температура
- Автоматично изключване/ автоматично рестартиране
- Мощно отстраняване на влагата
- Приложение Управление чрез WIFI (за модели, оборудвани с тази функция)
- Сензорно управление
- Функция за сушене на пране (Непрекъснат режим)
- Филтър за прах
- Непрекъснато оттичане
- Резервоар за вода 4,5 л

С. ТЕХНИЧЕСКИ СПЕЦИФИКАЦИИ

МОДЕЛ	SENSO N20
Капацитет за обезвлажняване	20 L/ден (30°C, 80%)
Захранване	AC220-240V/50Hz
Макс. Консумация на енергия	330W/2.3A ≤41dB(A)
Шум Капацитет на резервоара за вода	4.5L
Нетно тегло	13,5 кг
Минимален размер на помещението	4 m ² (площ на пода)

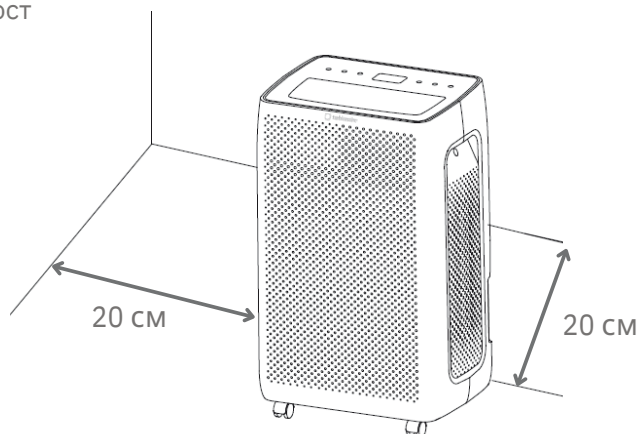
4. ИНСТАЛАЦИЯ

А. ПОСТАВЯНЕ НА ИЗВЛАЖНИТЕЛЯ

Поставете уреда върху твърда, равна повърхност в зона с поне 30 см свободно пространство около него, за да осигурите правилна циркулация на въздуха.

Никога не инсталирайте уреда там, където може да бъде обект на:

- Източници на топлина като радиатори, отоплителни уреди, печки или други продукти, които произвеждат топлина.
- В зона, където могат да бъдат пръскани масло или вода
- Директна слънчева светлина
- Механична вибрация или удар
- Прекомерно количество прах
- Липса на вентилация, като например шкаф или библиотека
- Неравна повърхност



ВНИМАНИЕ

Инсталирайте уреда в помещения, които надвишават 4 m².

Не монтирайте уреда на място, където може да изтече запалим газ. **ЗАБЕЛЕЖКА**



Производителят може да предостави друг подходящ пример или може да предостави допълнителна информация за миризмата на хладилен агент.

Б. БЕЗОПАСНА РАБОТА С УСТРОЙСТВОТО

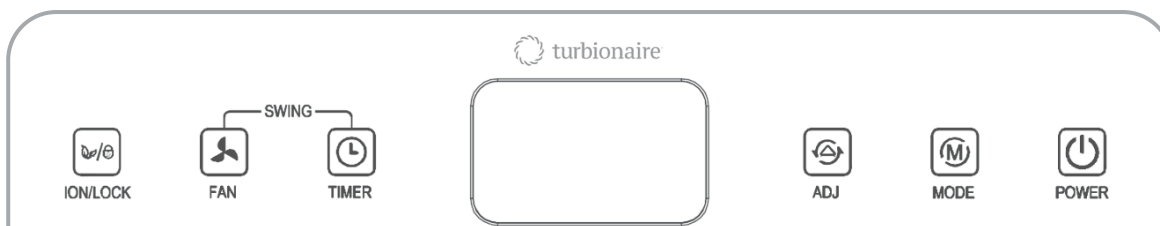
- Проверете устройството след разопаковане за повреди или драскотини по него.
- Работете с това устройство при околна температура от 5°C до 38°C.
- Не използвайте на открито. Този влагоуловител е предназначен само за вътрешни жилищни приложения.
- Не работете в непосредствена близост до стени, завеси или други предмети, които могат да блокират входа и изхода.
- Пазете входа и изхода на въздуха без препятствия.
- Регулиране на дефлектора за вятър в посока нагоре преди стартиране.
- Ако е наклонен на повече от 45°, оставете уреда да се постави изправен най-малко 24 часа преди стартиране.

Дръжте вратите и прозорците затворени за по-добро пестене на енергия. Не работете и не съхранявайте уреда на пряка слънчева светлина или дъжд. Нормално е изходящият въздух да се чувства топъл на допир след продължителна работа в горещи дни.

- Изпразнете резервоара за вода, преди да преместите устройството. Уверете се, че резервоарът за вода е правилно монтиран, в противен случай устройството няма да работи правилно.
- Изсушителят стартира в режима, избран при последното използване на уреда. Влагоуловителят започва да изсушава, ако влажността в помещението е с 3% по-висока от избраната влажност.
- Има защитно 3-минутно забавяне на компресора. Изчакайте 3 минути, докато обезвлажнителят възобнови изсушаването.

5. ЕКСПЛОАТАЦИЯ

Контролен панел



Бутон POWER - Докоснете този бутон, за да включите или изключите устройството.

Бутон MODE - Докоснете този бутон, за да изберете режим Auto, Sleep или Continuous Dehumidification.

Бутон ADJ - Докоснете този бутон, за да регулирате нивото на влажност и да изберете часа на таймера.

Бутон ТАЙМЕР - Докоснете този бутон, за да зададете време за автоматично стартиране или спиране на устройството.

За да активирате WiFi (за модели, оборудвани с тази функция), докоснете бутона ТАЙМЕР за поне 5 секунди. Индикаторът WiFi на дисплея ще започне да мига.

Бутон СКОРОСТ НА ВЕНТИЛАТОРА - Докоснете този бутон, за да изберете скорост на вентилатора между висока и ниска.

Бутон ION/LOCK (за модели, които не са оборудвани с функция за йонизация) - Докоснете този бутон, за да включите или изключите функцията за пречистване на въздуха с йонизатор. Докоснете продължително този бутон, за да включите или изключите функцията Child Lock.

SWING - Натиснете едновременно бутона TIMER и FAN, за да стартирате функцията Swing.

Дисплей - Показва стойността на влажността, настройката на таймера, температурата и друга информация.




Бутон ЗАХРАНВАНЕ - В режим на готовност докоснете бутона за хранване, за да включите изсушителя, операцията индикаторът светва и скоростта на вентилатора по подразбиране е висока, а влажността по подразбиране е 50%. Във включено състояние натиснете бутона за хранване, за да изключите, светлинният индикатор за работа изгасва и компресорът спира незабавно, а след това вентилаторът се изключва след 30 секунди закъснение.



Бутон MODE - Докоснете бутона Mode, за да превключите между автоматичен, спящ и непрекъснат режим на обезвлажняване.

- **Автоматичен режим:** когато влажността на околната среда \geq зададена влажност 3%, вентилаторът започва да работи и компресорът започва да работи след 3 секунди. Когато влажността на околната среда е \leq зададена влажност 3%, компресорът спира да работи и вентилаторът спира да работи след забавяне от 30'' секунди.

Докоснете бутона ADJ , за да регулирате нивото на влажност от 30% до 80% в автоматичен режим.

Както скоростта на вентилатора, така и влажността могат да се регулират в автоматичен режим.

• **Режим на непрекъснато изсушаване:** Устройството продължава да работи с висока скорост, скоростта на вентилатора може да бъде регулирана, влажността не може да се регулира.


- Режим на заспиване: Докоснете бутона за заспиване, бутонът светва и стартира функцията за заспиване, по подразбиране влажността е 60%. Ако контролният панел не се използва в рамките на 10 секунди, всички индикатори постепенно потъмняват и скоростта на вентилатора автоматично се превключва от висока на ниска. Докоснете отново бутона SLEEP, за да излезете от режим на заспиване. Както скоростта на вентилатора, така и влажността могат да се регулират в режим на заспиване. Докоснете бутона MODE отново, за да излезете от режим SLEEP.



TIMER

Бутон ТАЙМЕР

Докоснете бутона ТАЙМЕР, за да зададете функцията за време 00-24 часа.

Панелът на дисплея "88" мига и ще покаже часа на таймера. Докоснете бутона ADJ,  стойността се увеличава

1 час, стойността се показва на дисплея.

В работещо състояние използвайте функцията таймер, за да изключвате редовно машината.

В състояние на готовност използвайте функцията таймер, за да включвате машината редовно.

Задайте часа на "00", за да отмените функцията за време.

Докоснете продължително бутона ТАЙМЕР за 5 секунди, за да активирате wifi функцията, моля, вижте инструкциите за wifi на последните страници (за модели, оборудвани с тази функция).



FAN

Бутон СКОРОСТ НА ВЕНТИЛАТОРА - цикъл на висока/ниска скорост на вентилатора.

Докоснете бутона веднъж, за да превключите и тогава съответният индикатор светва. В режим на непрекъснато сушене и период на размразяване скоростта на вентилатора не може да се променя.



FAN

SWING



TIMER

Режим SWING - Докоснете бутона FAN и TIMER едновременно, за да стартирате функцията за автоматично люлеене, натиснете отново, за да спрете функцията за люлеене.



ION/LOCK

Бутон ION/ LOCK - Докоснете този бутон, за да включите или изключите функцията за пречистване на въздуха с йонизатор.

Натиснете дълго този бутон, за да включите или изключите функцията за заключване за деца.

Аларма за пълен резервоар за вода

Индикатор на резервоара за вода - Когато резервоарът е пълен за 5 секунди, той настройва алармата. Индикаторът на резервоара за вода светва в червено и уредът бръмчи 5 пъти.

Изчистване на алармата - Когато бръмченето е включено, докоснете произволен бутон, за да го спрете. Вентилаторът на компресора се изключва и всички функции замръзват, докато резервоарът не бъде изпразнен и върнат в правилната позиция.

А. Дренаж

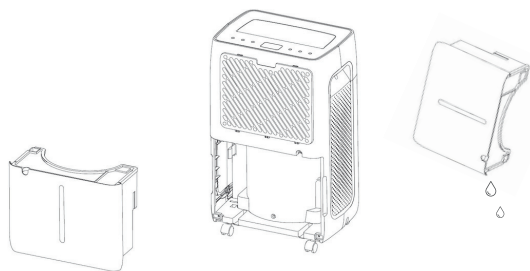
Има два начина за отстраняване на събраната вода, произведена от модула.

- а) Ръчно източване: водният резервоар се отстранява ръчно.
- б) Непрекъснато източване: прикрепете дренажен маркуч към уреда, така че кондензираната вода да се източва чрез гравитация.

В. Изпразване на резервоара за вода

Устройството ще се изключи, след като резервоарът за вода се напълни. Той ще работи отново, след като изпразните резервоара за вода и го инсталирате отново правилно. Когато резервоарът е пълен, устройството ще издаде бръмчащ звук и светодиодът „Пълна вода“ ще светне.

- Докоснете бутона POWER, за да изключите устройството.
- Издърпайте резервоара за вода и го плъзнете от корпуса на влагоуловителя.
- Изпразнете водата в зона с дренаж или навън.
- Почистете резервоара отвътре, ако е необходимо, както и отвън.
- Поставете празния резервоар обратно в уреда.
- Натиснете бутона POWER, за да рестартирате уреда.
- Ако светодиодът „Пълна вода“ все още свети, проверете дали поплавъкът на водния резервоар е поставен правилно и дали няма блокиране.
- Ако индикаторът за пълна вода не изгасне, проверете дали поплавъкът е поставен правилно.



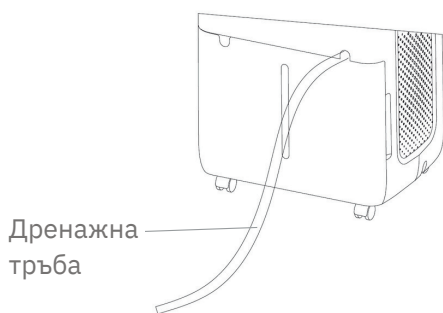
Внимание

1. Не изхвърляйте магнитите на резервоара за вода и пластмасовите нитове. В противен случай уредът няма да спре автоматично да работи, когато резервоарът за вода е пълен, а кондензираната вода ще прелее и ще повреди пода на помещението. Моля, не забравяйте да почистите кондензираната вода в резервоара за вода, преди да нулирате работния режим на машината.
2. Ако резервоарът за вода е замърсен, изплакнете го с чиста вода. Избягвайте използването на почистващи препарати, стоманени топки, химически препарати за отстраняване на прах, дизелово гориво, бензол, разреждители или други разтворители. В противен случай резервоарът за вода ще се повреди и ще протече.
3. Поставете празния резервоар обратно в устройството. В противен случай индикаторът за пълна вода може да остане червен и уредът да не може да се рестартира.

С. Непрекъснат дренаж

За продължителна работа или изсушаване без надзор, моля, свържете прикрепения дренажен маркуч към уреда. Кондензната вода се оттича свободно в кофа или дренажен отвор чрез гравитация.

- Поставете уреда в хоризонтална повърхност и стабилна позиция.
- Изключете уреда преди работа.
- Свържете надеждно и правилно дренажния маркуч и се уверете, че не е прегънат и че няма препятствия.
- Поставете изхода на маркуча над дренаж или кофа и се уверете, че водата може свободно да изтича от уреда. Не потапяйте края на маркуча във вода; в противен случай може да причини "въздушно запушване" в маркуча.



За да избегнете разливане на вода:

- Тъй като отрицателното налягане на дренажния съд за конденза е голямо, наклонете дренажния маркуч надолу към пода. Подходящо е степента на наклон да надвишава 20 градуса. Изправете маркуча, за да избегнете наличието на капан в маркуча.

6. ПОДДРЪЖКА

Забележка: преди почистване и поддръжка на машината, не забравяйте да изключите машината и да издърпате щепсела, за да предотвратите токов удар.

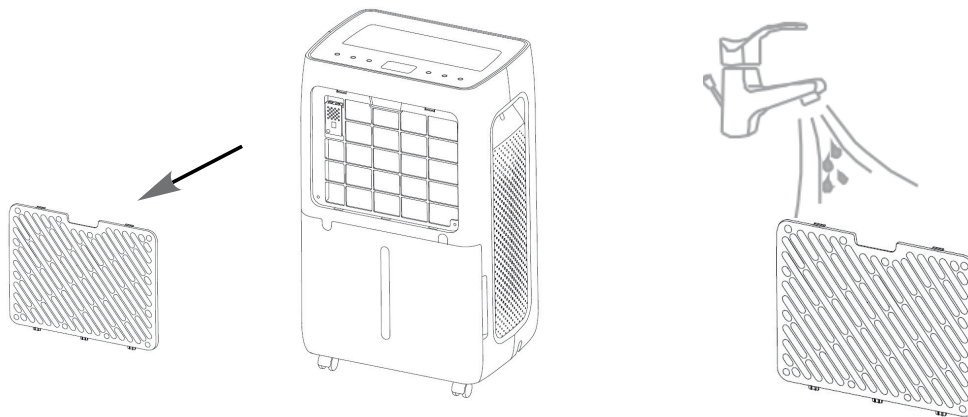
Почистване на въздушния филтър

Почиствайте филтъра поне на всеки две седмици или когато е необходимо. Отлаганията, натрупани върху нечистия филтър, могат да бъдат абсорбирани от вентилатора, след което да останат прикрепени към изпарителя, кондензатора и други компоненти вътре в уреда, което може да намали ефективността на уреда и да доведе до различни неизправности, които не се покриват от гаранцията.

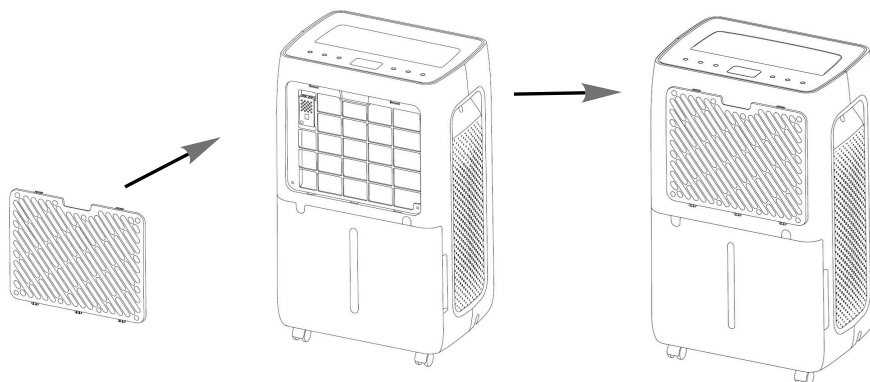
Ако в уреда се открият отлагания, свържете се с най-близкия оторизиран сервиз за професионално почистване. Не извършвайте операции по вътрешно почистване (освен почистване и измиване на миещия се филтър) сами. Винаги се обръщайте към квалифициран технически персонал.

а) Свалете филтърната решетка и свалете филтъра. б)

б) Използвайте прахосмукачка, за да попиете внимателно праха от повърхността на филтъра. Накиснете цедката в топла вода с температура около 40 градуса по Целзий. Ако филтърът е много замърсен, измийте го с вода и мек почистващ препарат и след това го подсушете добре.



с) Поставете филтъра обратно на първоначалното му място, което е в задната част на уреда.



7. ОТСТРАНЯВАНЕ НА НЕИЗПРАВНОСТИ

А ФУНКЦИОНАЛНА ТЕМПЕРАТУРА

5°C ≤ Температура на околната среда ≤ 38°C Когато температурата на околната среда е по-ниска или по-висока от работната температура, изсушителят спира.

Когато 5°C ≤ Темп. ≤ 16°C, компресорът автоматично се размразява на интервали; по време на размразяване компресорът спира и вентилаторът продължава да работи.

Б. ПРЕДИ ДА СЕ ОБАДИТЕ В СЕРВИЗ

Преди да се свържете с професионален сервиз, моля, прегледайте списъка за отстраняване на проблеми, който включва често срещани събития, които не са резултат от дефект в изработката или материалите.

Проблем	Възможна причина	Решение
Не работи	Няма захранване	Свържете към работещ контакт и включете.
	Индикация за пълна вода Мига	Източете резервоара за вода и го поставете обратно в уреда.
	Стайна температура <5°C или >38°C	Самозащита, предназначена да предпазва устройството. Не може да работи при такава температура.
Лошо функциониране	Въздушният филтър запушен ли е?	Почистете въздушния филтър според инструкциите
	Запушен ли е всмукателният или изпускателният канал?	Отстранете препятствието от изпускателния или всмукателния канал.
Няма всмукване на въздух	Въздушният филтър запушен ли е?	Измийте филтъра
Силен шум при работа	Устройството поставено ли е на хоризонтална и равна повърхност?	Поставете уреда правилно.
	Въздушният филтър запушен ли е?	Измийте филтъра
E1/E2	Проблем със сензора за влажност	Смени сензора
LO	Влажността на околната среда е под 20%	Изсушителят се изключва за самозащита
HI	Влажността на околната среда е над 90%	
CL	Защита от ниска температура, температура на околната среда <5°C	
CH	Защита от висока температура, температура на околната среда >38°C	

8. ИЗВЕЖДАНЕ ОТ ЕКСПЛОАТАЦИЯ

8.1 СЪХРАНЕНИЕ

Дългосрочно съхранение – Ако няма да използвате уреда за продължителен период от време (повече от няколко седмици), най-добре е да почистите уреда и да го изсушите напълно. Моля, съхранявайте уреда, като следвате следните стъпки:

- a) Натиснете бутона за захранване, за да изключите и извадете щепсела.
- b) Източете останалата вода от уреда.
- c) Почистете филтъра и го оставете да изсъхне напълно на сенчесто място.
- d) Вземете захранващия кабел от резервоара за вода.
- e) Поставете отново филтъра на мястото му.
- f) Устройството трябва да се държи в изправено положение, когато се съхранява.
- g) Съхранявайте машината на вентилирано, сухо, некорозивен газ и безопасно място на закрито.

ВНИМАНИЕ: Изпарителят вътре в машината трябва да бъде изсушен, преди модулът да бъде опакован, за да се избегнат повреди на компонентите и мухъл. Изключете уреда от контакта и го поставете на сухо открито място за дни, за да изсъхне. Друг начин за изсушаване на модула е да настроите точката на влажност с повече от 5% по-висока от влажността на околната среда, за да накарате вентилатора да изсуши изпарителя за няколко часа.

8.2 ИЗХВЪРЛЯНЕ

ВНИМАНИЕ!!!



Изпускането на хладилен агент в атмосферата е строго забранено!

Не изхвърляйте електрическите уреди като несортирани битови отпадъци, използвайте съоръжения за разделно събиране. Свържете се с местното

правителство за информация относно наличните системи за събиране. Ако се изхвърлят електрически уреди на сметища или сметища, опасните вещества могат да изтекат в подпочвените води и да попаднат в хранителната верига, увреждайки вашето здраве и благополучие.

За Turbionaire WEEE/ Опаковка/ Батерия в ЕС
Моля, сканирайте тук QR кода



Благодарим ви, че избрахте Turbionaire!

За експертен съвет относно вашите уреди Turbionaire, помощ или ремонт, моля свържете се с нас на www.turbionaire.com/warranty.

Други допълнителни подробности за този продукт:

- Информация
- Технически спецификации
- Енергиен етикет

могат да бъдат консултирани чрез достъп www.turbionaire.com

Производител и вносител:

SC Intax Trading SRL - Ул. Йон Креанга бр. 14В, 075100,
Отопени, Илфов, Румъния. Тел. (+40) 318 246 246 Факс
(+40) 214 203 151 office@intaxtrading.com
www.intaxtrading.com

SMART LIFE - РЪКОВОДСТВО ЗА ПОТРЕБИТЕЛЯ НА ПРИЛОЖЕНИЕТО за SENSO N20

Приложението „Smart Life“ е достъпно за Android и iOS.

Сканирайте съответния QR код с вашия смартфон, за да получите директен достъп до изтеглянето.



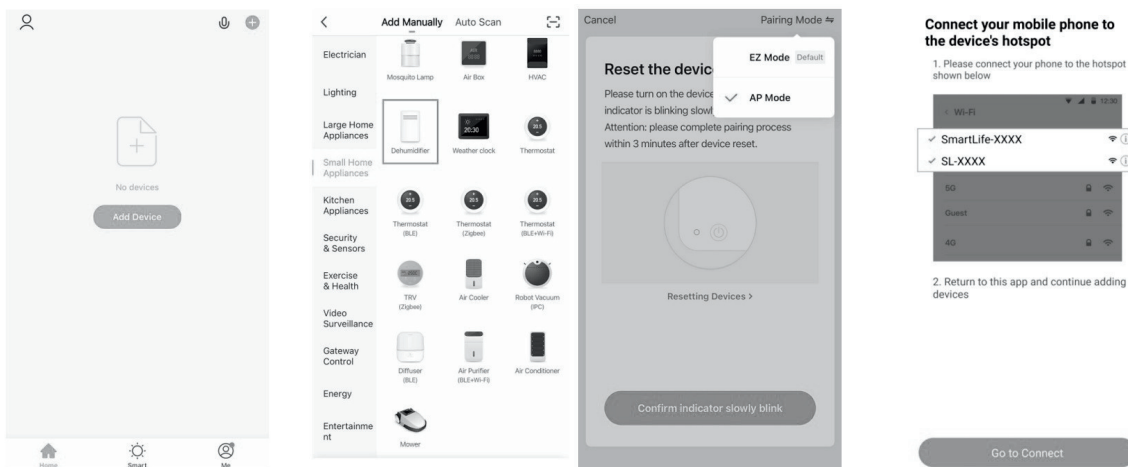
Използване на приложението

С това устройство можете да управлявате устройството през вашата WIFI домашна мрежа. Задължителни условия са постоянна WIFI връзка с рутера и безплатното приложение "Smart Life". Препоръчваме ви да изключвате устройството от контакта, когато сте далеч от дома, за да избегнете случайно включване по време на път!

Въвеждане в експлоатация чрез приложението

1. Инсталирайте приложението "Smart Life". Създайте потребителски акаунт.
2. Включете функцията WIFI в настройките на устройството - докоснете бутона ТАЙМЕР за поне 5 секунди
3. Поставете устройството на около 5 метра от рутера.
4. Докато устройството е включено, светлинният индикатор WIFI мига бавно. След 3 минути състоянието се изчиства, ако няма мрежова конфигурация и светлинният индикатор е изключен. Ако трябва да свържете отново WIFI, натиснете продължително бутона „TIMER“ за 5 секунди, за да стартирате конфигурацията на мрежата, индикаторът WIFI ще мига бавно.
5. Когато светлинният индикатор WIFI мига бавно, изберете "Добавяне на устройство" - "Малки домашни уреди" - "Влагоуловител" и следвайте инструкциите на приложението Smart Life. Изберете „AP Mode“ в горния десен ъгъл на приложението, изберете „Индикаторът за потвърждение мига бавно“, след което натиснете „Go to Connect“, за да свържете WIFI с име „SmartLife-XXXX“.
6. Ако индикаторът WIFI мига бързо, може да се свърже директно.
7. След успешно свързване на устройството, WIFI лампичката ще светне. Вече можете да управлявате устройството си с помощта на приложението.

Алтернативна връзка чрез Bluetooth - Отворете Bluetooth на вашия мобилен телефон или друго устройство. Когато индикаторът WIFI мига, отворете ПРИЛОЖЕНИЕТО "Smart Life", устройството автоматично ще се свърже чрез Bluetooth



ОТСТРАНЯВАНЕ НА НЕИЗПРАВНОСТИ

Неуспешна мрежова връзка	Решение
Времето за изчакване на мрежовата връзка изтече	1. Проверете дали сте избрали WIFI с име „SmartLife-XXXX“. 2. Изключете машината и извадете кода за захранване и приставката след 10 секунди, след което влезте в приложението, за да се свържете отново.
WIFI индикаторът е изключен	Натиснете и задръжте бутона "Таймер" или изключете машината и след 10 секунди извадете захранващия кабел и щепсела.
WIFI горещата точка изчезва и светлинният индикатор WIFI мига	Изключете машината и извадете кода за захранване и приставката след 10 секунди, след което влезте в приложението, за да се свържете отново.

EN 2 Years Warranty

This warranty covers defects of construction, manufacturing and material. Excluded are all wearing parts and improper usage, or consequential damages due to lack of cleaning of the appliance.

RO Garantie 3 ani (valabil numai in Romania)

Aceasta garantie acopera defectele de constructie, fabricatie si materialele din care este confectionat dispozitivul. Nu fac obiectul garantiei utilizarea necorespunzatoare , uzura normala a elementelor sau defectele aparute in urma necuratarii corespunzatoare a dispozitivului.

DE 2 Jahre Garantie

Diese Garantie deckt Konstruktions-, Verarbeitungs- und Materialfehler ab, aus denen das Gerät besteht. Unsachgemäße Verwendung, normaler Verschleiß der Elemente oder Mängel aufgrund unsachgemäßer Reinigung des Geräts unterliegen nicht der Garantie.

ES Garantía 2 años

Esta garantía cubre los defectos de construcción, fabricación y los materiales de los que está hecho el dispositivo. No están cubiertos por la garantía el desgaste normal de los componentes o los defectos resultantes de la falta de limpieza adecuada del dispositivo.

FR Garantie 2 ans

Cette garantie couvre les défauts de construction, de fabrication et les matériaux dont le dispositif est fait. Garantie ne couvre pas l'utilisation inappropriée, l'usure normale des éléments ou les défauts apparus après le manque de nettoyage approprié du dispositif.

IT 2 anni di garanzia

Questa garanzia copre difetti di costruzione, di produzione e di materiale. L'uso improprio, la normale usura degli elementi o difetti derivanti da una pulizia impropria del dispositivo non sono soggetti a garanzia.

HU 2 év garancia

Ez a garancia az építési, gyártási és anyaghibákra vonatkozik. Kivéve az összes kopó alkatrészt és a nem megfelelő használatot, illetve a készülék tisztításának elmulasztásából eredő következményes károkat.

BG 2 години гаранция

Тази гаранция покрива дефекти в конструкцията, производството и материалите. Изключени са всички износващи се части и неправилна употреба или последващи щети поради липса на почистване на уреда.

